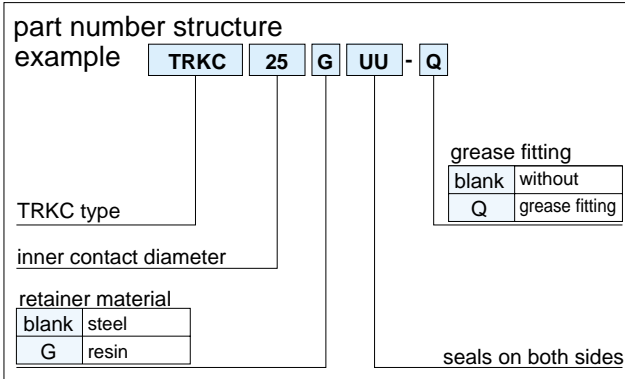


TRKC TYPE

— Triple-Wide Intermediate Position Square Flange Type —

This type is a metric dimension series widely used in Japan and other countries.

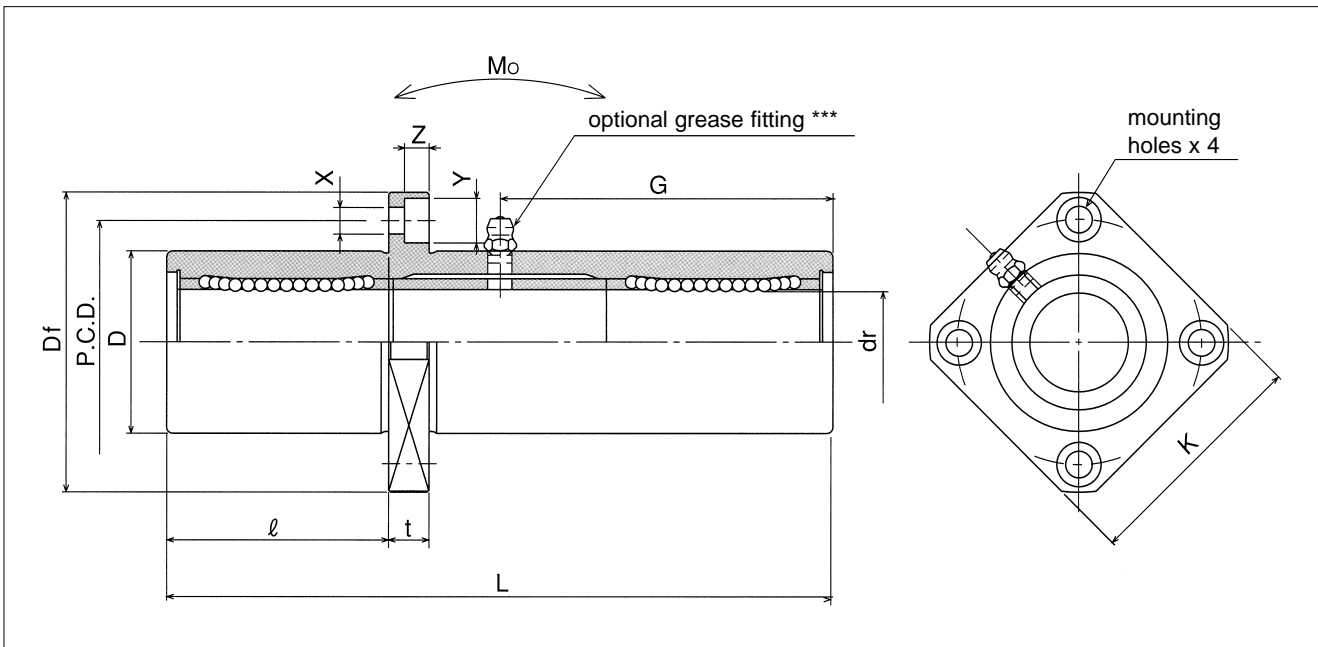


part number*		dr		D		L	
steel retainer	resin retainer	mm	tolerance μm	mm	tolerance μm	± 0.3 mm	\varnothing mm
TRKC 6UU	TRKC 6GUU	6	0	15	0/-18	51	17
TRKC 8UU	TRKC 8GUU	8	-12	19	0	66	22
TRKC10UU	TRKC10GUU	10	-15	23		80	27
TRKC12UU	TRKC12GUU	12		0	26	-21	84
TRKC13UU	TRKC13GUU	13	-18	28	0	90	30
TRKC16UU	TRKC16GUU	16		32		103	35
TRKC20UU	TRKC20GUU	20	0	40	-25	118	40
TRKC25UU	TRKC25GUU	25	-18	45	0	165	55
TRKC30UU	TRKC30GUU	30		52		182	61
TRKC35UU	TRKC35GUU	35	0	60	-30	200	67
TRKC40UU	TRKC40GUU	40	-21	65		230	77
TRKC50UU	TRKC50GUU	50		0	85	0	290
TRKC60UU	TRKC60GUU	60	0/-25	100	-35	310	104

* UU type is standard feature.

** Outer cylinder is electroless nickel plated.

*** TRKC6-8: A-MT6x1 TRKC10-30: A-M6F TRKC35-60: A-PT1/8



major dimensions					grease fitting G	eccentricity μm	perpen- dicularity μm	basic load rating		allowable static moment M_o $\text{N}\cdot\text{m}$	mass g	shaft diameter mm
flange								dynamic C N	static C_o N			
D_f mm	K mm	t mm	P.C.D. mm	$X\times Y\times Z$ mm								
32	25	5	24	$3.5\times 6\times 3.1$	20.5	20	20	323	530	8.2	58	6
40	30	6	29	$4.5\times 7.5\times 4.1$	29			431	784	16.0	117	8
43	34	6	33	$4.5\times 7.5\times 4.1$	38			588	1,100	27.0	189	10
46	35	6	36	$4.5\times 7.5\times 4.1$	41			813	1,570	40.1	228	12
48	37	6	38	$4.5\times 7.5\times 4.1$	45			813	1,570	42.9	286	13
54	42	8	43	$5.5\times 9\times 5.1$	51	25	25	1,230	2,350	73.5	376	16
62	50	8	51	$5.5\times 9\times 5.1$	59			1,400	2,740	98.0	714	20
74	58	10	60	$6.6\times 11\times 6.1$	82.5			1,560	3,140	157	1,163	25
82	64	10	67	$6.6\times 11\times 6.1$	91			2,490	5,490	297	1,543	30
96	75	13	78	$9\times 14\times 8.1$	100	30	30	2,650	6,270	373	2,400	35
101	80	13	83	$9\times 14\times 8.1$	115			3,430	8,040	553	2,510	40
129	100	18	107	$11\times 17\times 11.1$	145			6,080	15,900	1,370	6,400	50
144	116	18	122	$11\times 17\times 11.1$	155			7,550	20,000	1,800	9,200	60

1N \approx 0.102kgf 1N·m \approx 0.102kgf·m