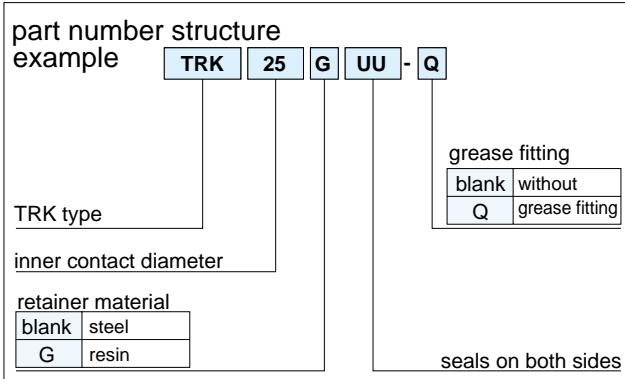
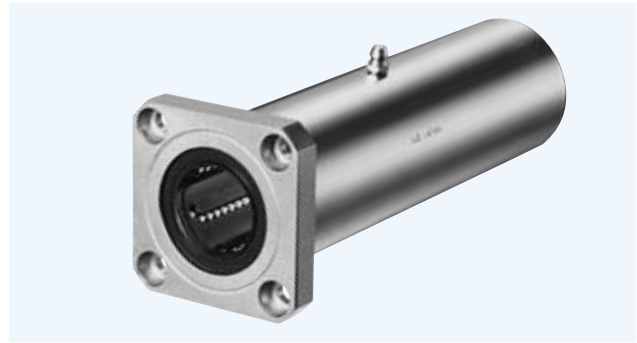


TRK TYPE

– Triple-Wide Square Flange Type –

This type is a metric dimension series widely used in Japan and other countries.

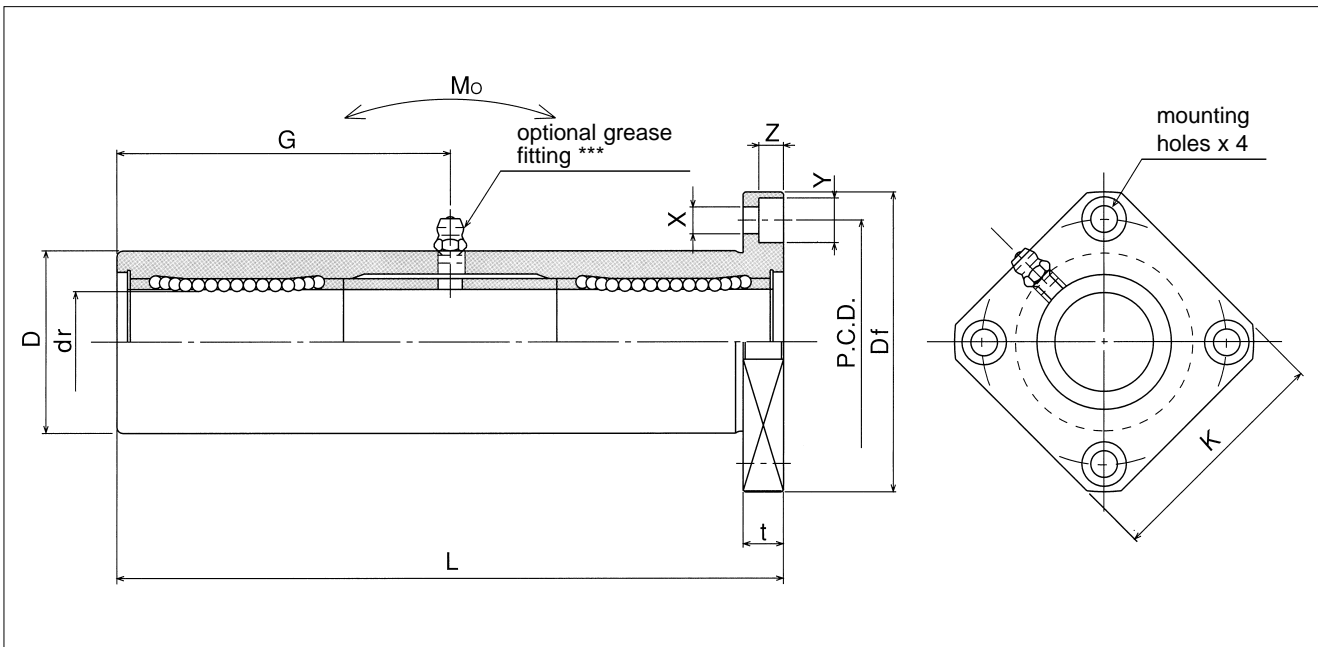


part number*							
steel retainer	resin retainer	dr		D		L	Df
		mm	tolerance μm	mm	tolerance μm	± 0.3 mm	
TRK 6UU	TRK 6GUU	6	0	15	0/-18	51	32
TRK 8UU	TRK 8GUU	8	-12	19	0	66	40
TRK10UU	TRK10GUU	10	-15	23		80	43
TRK12UU	TRK12GUU	12		0	26	-21	84
TRK13UU	TRK13GUU	13	-18	28	0	90	48
TRK16UU	TRK16GUU	16		32		103	54
TRK20UU	TRK20GUU	20	0	40	-25	118	62
TRK25UU	TRK25GUU	25	-18	45	0	165	74
TRK30UU	TRK30GUU	30		52		182	82
TRK35UU	TRK35GUU	35	0	60	-30	200	96
TRK40UU	TRK40GUU	40	-21	65	0	230	101
TRK50UU	TRK50GUU	50		85		290	129
TRK60UU	TRK60GUU	60	0/-25	100	-35	310	144

* UU type is standard feature.

** Outer cylinder is electroless nickel plated.

*** TRK6~8: A-MT6x1 TRK10~30: A-M6F TRK35~60: A-PT1/8



major dimensions				grease fitting	eccentricity	perpen- dicularity	basic load rating		allowable static moment	mass	shaft diameter
flange			G				dynamic	static			
K	t	P.C.D.		X×Y×Z	μm	μm			C	Co	Mo
25	5	24	3.5×6×3.1	20.5	20	20	323	530	8.2	58	6
30	6	29	4.5×7.5×4.1	29			431	784	16.0	117	8
34	6	33	4.5×7.5×4.1	38			588	1,100	27.0	189	10
35	6	36	4.5×7.5×4.1	41			813	1,570	40.1	228	12
37	6	38	4.5×7.5×4.1	45			813	1,570	42.9	286	13
42	8	43	5.5×9×5.1	51	25	25	1,230	2,350	73.5	376	16
50	8	51	5.5×9×5.1	59			1,400	2,740	98.0	714	20
58	10	60	6.6×11×6.1	82.5			1,560	3,140	157	1,163	25
64	10	67	6.6×11×6.1	91	30	30	2,490	5,490	297	1,543	30
75	13	78	9×14×8.1	100			2,650	6,270	373	2,400	35
80	13	83	9×14×8.1	115			3,430	8,040	553	2,510	40
100	18	107	11×17×11.1	145			6,080	15,900	1,370	6,400	50
116	18	122	11×17×11.1	155			7,550	20,000	1,800	9,200	60

1N ≅ 0.102kgf 1N·m ≅ 0.102kgf·m