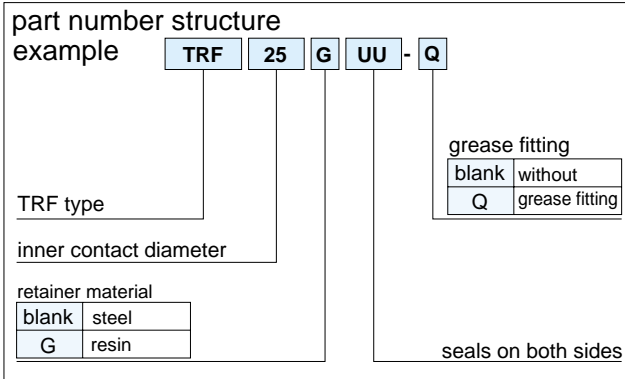
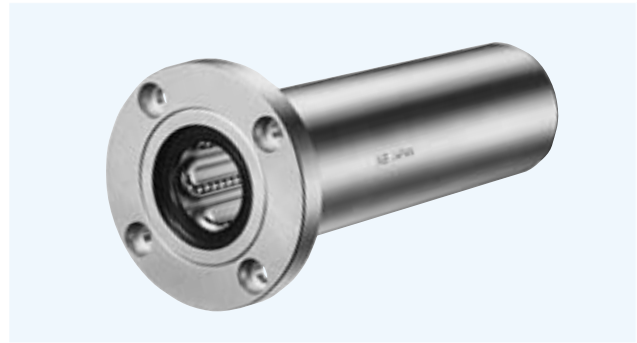


TRF TYPE

– Triple-Wide Round Flange Type –

This type is a metric dimension series widely used in Japan and other countries.

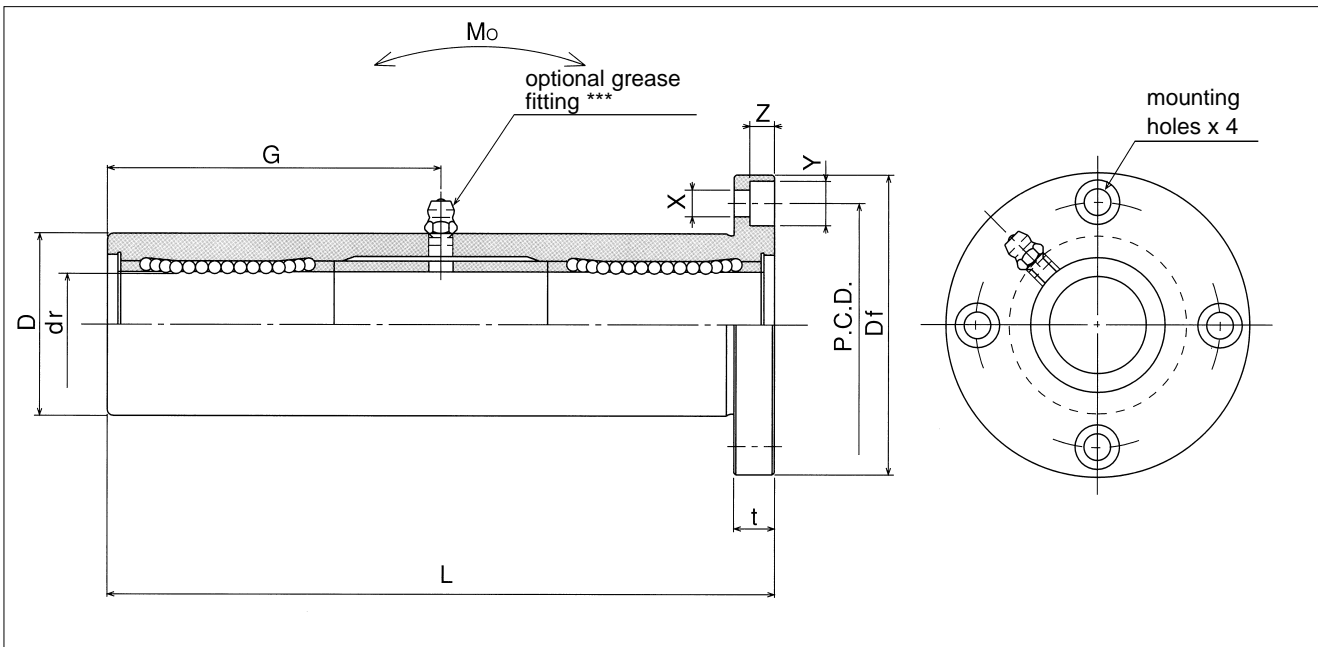


part number*		dr		D		L	Df
steel retainer	resin retainer	mm	tolerance μm	mm	tolerance μm	±0.3 mm	mm
TRF 6UU	TRF 6GUU	6	0	15	0/-18	51	32
TRF 8UU	TRF 8GUU	8	-12	19	0	66	40
TRF10UU	TRF10GUU	10	-15	23		80	43
TRF12UU	TRF12GUU	12		0	26	-21	84
TRF13UU	TRF13GUU	13	-18	28	0	90	48
TRF16UU	TRF16GUU	16		32		103	54
TRF20UU	TRF20GUU	20	0	40	-25	118	62
TRF25UU	TRF25GUU	25	-18	45	0	165	74
TRF30UU	TRF30GUU	30		52		182	82
TRF35UU	TRF35GUU	35	0	60	-30	200	96
TRF40UU	TRF40GUU	40	-21	65	0	230	101
TRF50UU	TRF50GUU	50		85		290	129
TRF60UU	TRF60GUU	60	0/-25	100	-35	310	144

* UU type is standard feature.

** Outer cylinder is treated with electroless nickel plating.

*** TRF6~8: A-MT6x1 TRF10~30: A-M6F TRF35~60: A-PT1/8



major dimensions			grease fitting	eccentricity	perpendicularity	basic load rating		allowable static moment	mass	shaft diameter
flange						G	dynamic			
t	P.C.D.	X×Y×Z	μm	μm	C			Co	Mo	g
5	24	3.5×6×3.1	20.5	20	20	323	530	8.2	66	6
6	29	4.5×7.5×4.1	29			431	784	16.0	135	8
6	33	4.5×7.5×4.1	38			588	1,100	27.0	205	10
6	36	4.5×7.5×4.1	41			813	1,570	40.1	248	12
6	38	4.5×7.5×4.1	45			813	1,570	42.9	308	13
8	43	5.5×9×5.1	51	25	25	1,230	2,350	73.5	412	16
8	51	5.5×9×5.1	59			1,400	2,740	98.0	752	20
10	60	6.6×11×6.1	82.5			1,560	3,140	157	1,244	25
10	67	6.6×11×6.1	91			2,490	5,490	297	1,636	30
13	78	9×14×8.1	100	30	30	2,650	6,270	373	2,580	35
13	83	9×14×8.1	115			3,430	8,040	553	2,950	40
18	107	11×17×11.1	145			6,080	15,900	1,370	6,860	50
18	122	11×17×11.1	155			7,550	20,000	1,800	9,660	60

1N≐0.102kgf 1N·m≐0.102kgf·m