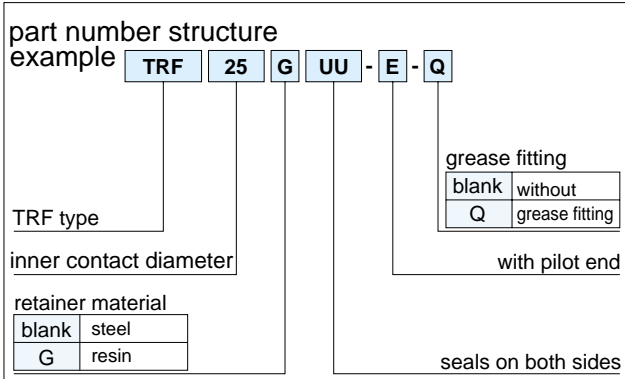
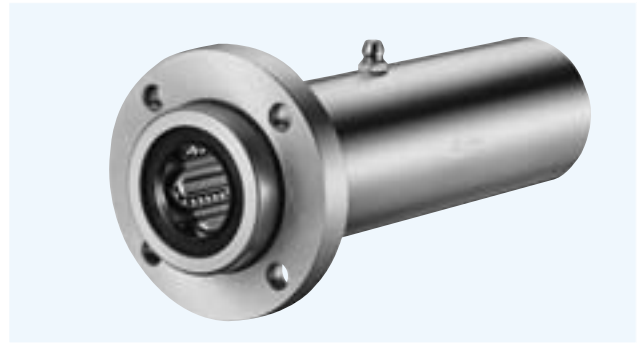


# TRF-E TYPE

— Triple-Wide Round Flange Pilot End Type —

This type is a metric dimension series widely used in Japan and other countries.

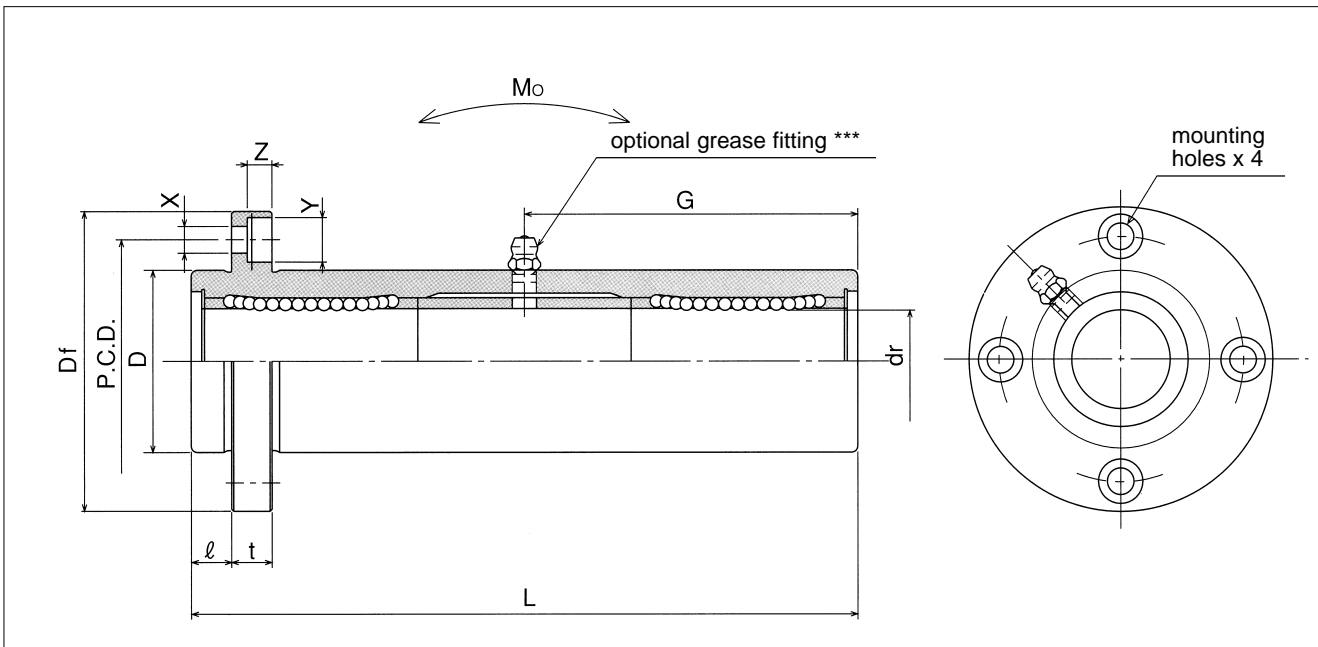


part number*							
steel retainer	resin retainer	dr		D		L	
		mm	tolerance μm	mm	tolerance μm	±0.3 mm	ℓ mm
TRF 6UU-E	TRF 6GUU-E	6	0	15	0/-18	51	5
TRF 8UU-E	TRF 8GUU-E	8	-12	19	0	66	6
TRF10UU-E	TRF10GUU-E	10	-15	23	-21	80	6
TRF12UU-E	TRF12GUU-E	12	0	26	0	84	6
TRF13UU-E	TRF13GUU-E	13	-15	28	-25	90	6
TRF16UU-E	TRF16GUU-E	16	0	32	0	103	8
TRF20UU-E	TRF20GUU-E	20	-18	40	-30	118	8
TRF25UU-E	TRF25GUU-E	25	0	45	0	165	10
TRF30UU-E	TRF30GUU-E	30	-21	52	-35	182	10
TRF35UU-E	TRF35GUU-E	35	0	60	0	200	13
TRF40UU-E	TRF40GUU-E	40	-21	65	-30	230	13
TRF50UU-E	TRF50GUU-E	50	0	85	0	290	18
TRF60UU-E	TRF60GUU-E	60	0/-25	100	-35	310	18

\* UU type is standard feature.

\*\* Outer cylinder is electroless nickel plated.

\*\*\* TRF6~8-E: A-MT6x1 TRF10~30-E: A-M6F TRF35~60-E: A-PT1/8



major dimensions				grease fitting G mm	eccentricity $\mu\text{m}$	perpen- dicularity $\mu\text{m}$	basic load rating		allowable static moment $M_o$ $\text{N} \cdot \text{m}$	mass g	shaft diameter mm
flange							dynamic C N	static $C_o$ N			
$D_f$ mm	t mm	P.C.D. mm	$X \times Y \times Z$ mm								
32	5	24	3.5×6×3.1	20.5	20	20	323	530	8.2	66	6
40	6	29	4.5×7.5×4.1	29			431	784	16.0	135	8
43	6	33	4.5×7.5×4.1	38			588	1,100	27.0	205	10
46	6	36	4.5×7.5×4.1	41			813	1,570	40.1	248	12
48	6	38	4.5×7.5×4.1	45			813	1,570	42.9	308	13
54	8	43	5.5×9×5.1	51	25	25	1,230	2,350	73.5	412	16
62	8	51	5.5×9×5.1	59			1,400	2,740	98.0	752	20
74	10	60	6.6×11×6.1	82.5			1,560	3,140	157	1,244	25
82	10	67	6.6×11×6.1	91			2,490	5,490	297	1,636	30
96	13	78	9×14×8.1	100	30	30	2,650	6,270	373	2,580	35
101	13	83	9×14×8.1	115			3,430	8,040	553	2,950	40
129	18	107	11×17×11.1	145			6,080	15,900	1,370	6,860	50
144	18	122	11×17×11.1	155			7,550	20,000	1,800	9,660	60

1N  $\approx$  0.102kgf    1N·m  $\approx$  0.102kgf·m