

SWFC TYPE

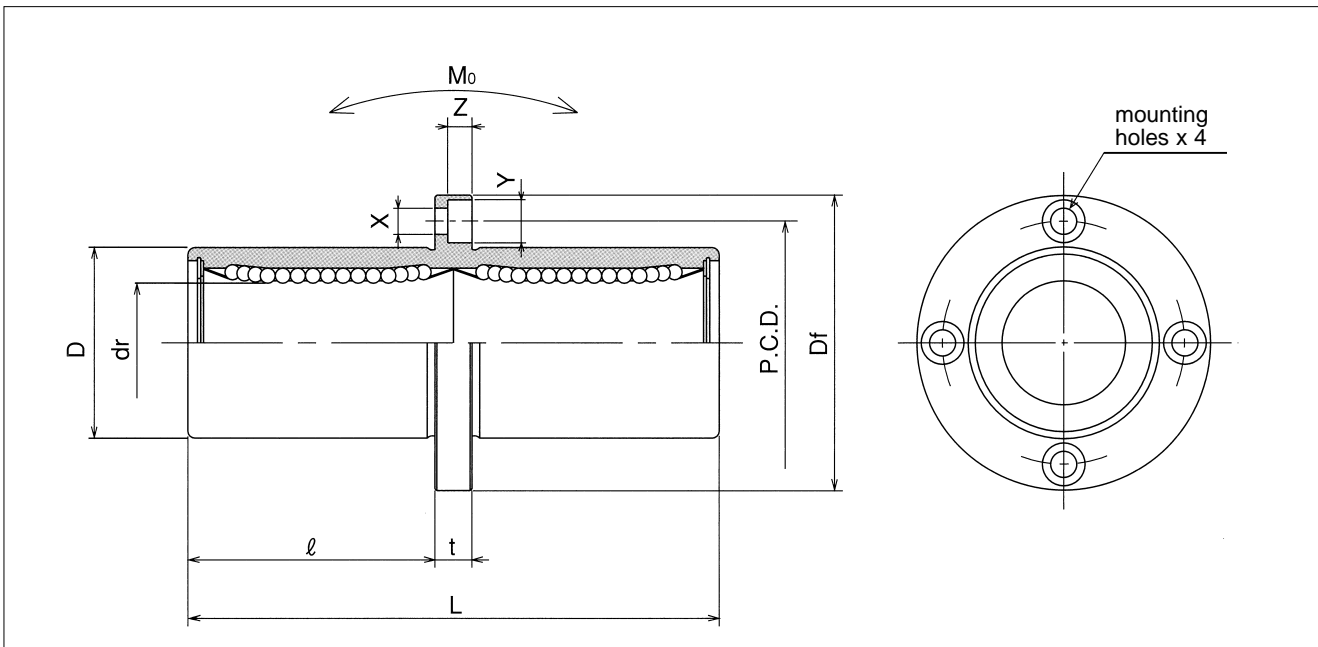
– Center Mount Round Flange Type –

This type is an inch dimension series mainly used in the U.S.



part number structure											
example	SWSFC 16 G UU - SK										
specification	<table border="1"> <tr> <td>SWFC</td> <td>standard</td> </tr> <tr> <td>SWSFC</td> <td>anticorrosion</td> </tr> </table>	SWFC	standard	SWSFC	anticorrosion						
SWFC	standard										
SWSFC	anticorrosion										
inner contact diameter											
retainer material	<table border="1"> <tr> <td>blank</td> <td>steel</td> </tr> <tr> <td>G</td> <td>resin</td> </tr> </table>	blank	steel	G	resin						
blank	steel										
G	resin										
outer cylinder surface treatment	<table border="1"> <tr> <td>blank</td> <td>no surface treatment</td> </tr> <tr> <td>SK</td> <td>electroless nickel plating</td> </tr> <tr> <td>RD</td> <td>Raydent treatment</td> </tr> <tr> <td>SB</td> <td>black oxide*</td> </tr> <tr> <td>SC</td> <td>industrial chrome plating</td> </tr> </table>	blank	no surface treatment	SK	electroless nickel plating	RD	Raydent treatment	SB	black oxide*	SC	industrial chrome plating
blank	no surface treatment										
SK	electroless nickel plating										
RD	Raydent treatment										
SB	black oxide*										
SC	industrial chrome plating										
*not available in SWSFC type											
seal	<table border="1"> <tr> <td>blank</td> <td>without seal</td> </tr> <tr> <td>UU</td> <td>seals on both sides</td> </tr> </table>	blank	without seal	UU	seals on both sides						
blank	without seal										
UU	seals on both sides										

part number									
standard		anticorrosion		dr		D		L ±0.12 ±0.3 inch mm	ℓ inch mm
steel retainer	resin retainer	stainless retainer	resin retainer	inch mm	tolerance inch/μm	inch mm	tolerance inch/μm		
SWFC 4	SWFC 4G	SWSFC 4	SWSFC 4G	.2500 6.350	0 - .00040	.5000 12.700	⁰ - .00050 ₀ -13	1.3750 34.925	.5781 14.684
SWFC 6	SWFC 6G	SWSFC 6	SWSFC 6G	.3750 9.525		.6250 15.875	⁰ - .00065 ₀ -16	1.5938 40.481	.6719 17.066
SWFC 8	SWFC 8G	SWSFC 8	SWSFC 8G	.5000 12.700	0 -10	.8750 22.225	⁰ - .00075 ₀ -19	2.3750 60.325	1.0625 26.988
SWFC10	SWFC10G	SWSFC10	SWSFC10G	.6250 15.875		1.1250 28.575	⁰ - .00090 ₀ -22	2.8125 71.438	1.2813 32.544
SWFC12	SWFC12G	SWSFC12	SWSFC12G	.7500 19.050	0 -12	1.2500 31.750	⁰ - .00100 ₀ -25	3.0937 78.581	1.3906 35.322
SWFC16	SWFC16G	SWSFC16	SWSFC16G	1.0000 25.400		1.5625 39.688	⁰ - .00060 ₀ -15	4.2813 108.744	1.9844 50.403
SWFC20	SWFC20G	SWSFC20	SWSFC20G	1.2500 31.750	0 -15	2.0000 50.800	⁰ - .00100 ₀ -25	5.0000 127.000	2.3125 58.738
SWFC24	SWFC24G	SWSFC24	SWSFC24G	1.5000 38.100		2.3750 60.325	⁰ - .00100 ₀ -25	5.6875 144.463	2.5938 65.882
SWFC32	SWFC32G	SWSFC32	SWSFC32G	2.0000 50.800		3.0000 76.200	⁰ - .00100 ₀ -25	7.7500 196.850	3.6250 92.075



major dimensions				eccentricity	perpendicularity	basic load rating		allowable static moment	mass	shaft diameter
flange						dynamic	static			
Df inch mm	t inch mm	P.C.D. inch mm	X×Y×Z inch mm	inch μm	inch μm	C N	Co N	Mo N·m	g	inch mm
1.2500 31.750	.2188 5.556	.8750 22.225	.1563 × .2500 × .1406 3.969 × 6.350 × 3.572	.0006	15	323	530	2.0	40	1/4 6.350
1.5000 38.100	.2500 6.350	1.0625 26.988	.1875 × .2969 × .1719 4.763 × 7.541 × 4.366			353	630	2.7	60	3/8 9.525
1.7500 44.450	.2500 6.350	1.3125 33.338	.1875 × .2969 × .1719 4.763 × 7.541 × 4.366			813	1,570	11.5	126	1/2 12.700
2.0000 50.800	.2500 6.350	1.5625 39.688	.1875 × .2969 × .1719 4.763 × 7.541 × 4.366			1,230	2,350	20.0	215	5/8 15.875
2.1875 55.563	.3125 7.938	1.7188 43.656	.2188 × .3438 × .2031 5.556 × 8.731 × 5.159	.0008	20	1,370	2,740	26.5	280	3/4 19.050
2.5000 63.500	.3125 7.938	2.0313 51.594	.2188 × .3438 × .2031 5.556 × 8.731 × 5.159			1,570	3,140	41.2	515	1 25.400
3.1250 79.375	.3750 9.525	2.5625 65.088	.2813 × .4063 × .2656 7.144 × 10.319 × 6.747	.0010	25	2,500	5,490	84.8	1,020	1-1/4 31.750
3.7500 95.250	.5000 12.700	3.0625 77.788	.3437 × .5000 × .3281 8.731 × 12.700 × 8.334			3,430	8,040	143	1,630	1-1/2 38.100
4.3750 111.125	.5000 12.700	3.6875 93.662	.3437 × .5000 × .3281 8.731 × 12.700 × 8.334	.0012 30	.0012 30	6,080	15,900	399	2,800	2 50.800

1N ≅ 0.225lbs 1N·m ≅ 0.738lb·ft