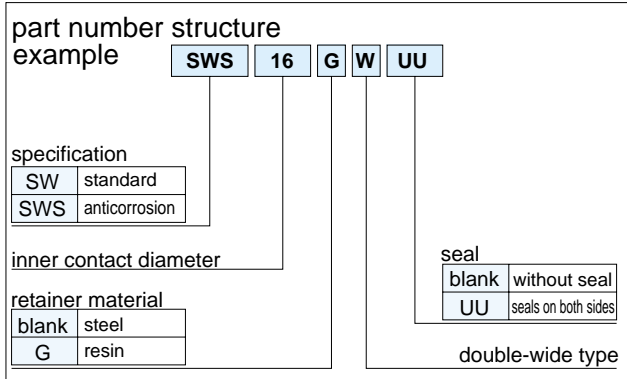
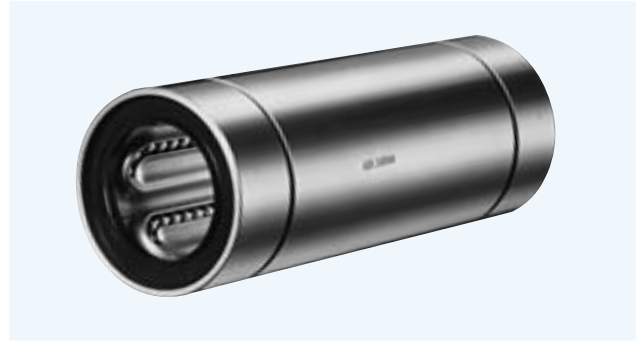


SW-W TYPE

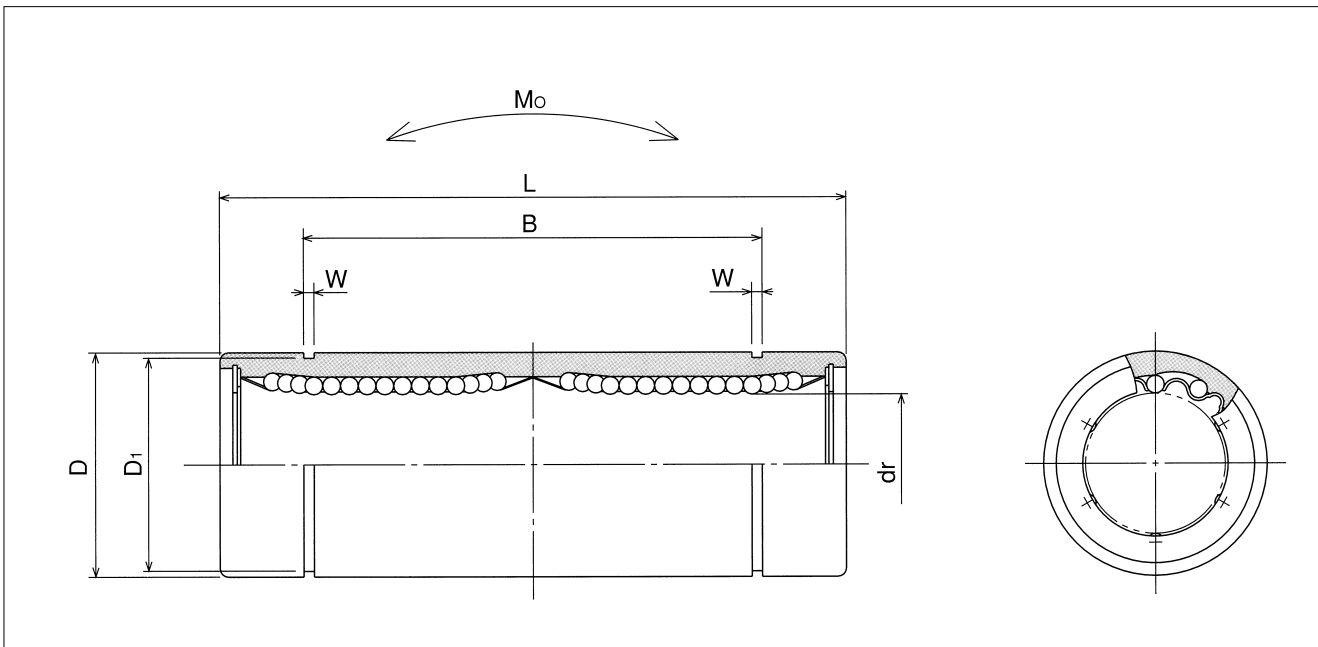
— Double-Wide Type —

This type is an inch dimension series mainly used in the U.S.



part number				number of ball circuits	dr			
standard		anticorrosion			inch mm	tolerance inch/ μ m	D	
steel retainer	resin retainer	stainless retainer	resin retainer				inch mm	tolerance inch/ μ m
SW 4W	SW 4GW	SWS 4W	SWS 4GW	3*	.2500 6.350	- .00040 0 -10	.5000 12.700	- .00050 0 -13
SW 6W	SW 6GW	SWS 6W	SWS 6GW	4	.3750 9.525		.6250 15.875	- .00065 0 -16
SW 8W	SW 8GW	SWS 8W	SWS 8GW	4	.5000 12.700		.8750 22.225	
SW10W	SW10GW	SWS10W	SWS10GW	4	.6250 15.875		1.1250 28.575	
SW12W	SW12GW	SWS12W	SWS12GW	5	.7500 19.050	- .00050 0	1.2500 31.750	- .00075 0
SW16W	SW16GW	SWS16W	SWS16GW	6	1.0000 25.400	0 -12	1.5625 39.688	0 -19
SW20W	SW20GW	SWS20W	SWS20GW	6	1.2500 31.750	0 - .00060 0 -15	2.0000 50.800	- .00090 0
SW24W	SW24GW	SWS24W	SWS24GW	6	1.5000 38.100		2.3750 60.325	0 -22
SW32W	SW32GW	SWS32W	SWS32GW	6	2.0000 50.800		3.0000 76.200	- .00100 0 -25

* 4 rows for resin retainer type.



major dimensions						eccentricity	basic load rating		allowable static moment	mass	shaft diameter
inch	L	B		W	D_1		dynamic	static			
mm	tolerance	inch	tolerance	inch	inch	C	C_o	M_o	g	inch	
mm	inch/mm	mm	inch/mm	mm	mm	N	N	N·m		mm	
1.3750 34.925	0 -.012	1.0220 25.959	0 -.012	.0390 0.992	.4687 11.906	.0006	323	530	2.0	17.5	1/4 6.350
1.5938 40.481		1.2716 32.298		.0390 0.992	.5880 14.935		353	630			2.7
2.3750 60.325	0 -.03	1.9250 48.895	0 -.03	.0459 1.168	.8209 20.853	15	813	1,570	11.5	80	1/2 12.700
2.8125 71.438		2.2079 56.080		.0559 1.422	1.0590 26.899		1,230	2,350			20.0
3.0937 78.581	0 -.016	2.3314 59.218	0 -.016	.0559 1.422	1.1760 29.870	.0008	1,370	2,740	26.5	195	3/4 19.050
4.2813 108.744		3.5094 89.139		.0679 1.727	1.4687 37.306		1,570	3,140			41.2
5.0000 127.000	0 -.04	4.0094 101.839	0 -.04	.0679 1.727	1.8859 47.904	.0010	2,500	5,490	84.8	820	1-1/4 31.750
5.6875 144.463		4.8236 122.519		.0859 2.184	2.2389 56.870		3,430	8,040			143
7.7500 196.850		6.3834 162.138		.1029 2.616	2.8379 72.085	.0012 30	6,080	15,900	399	2,350	2 50.800

1N ≅ 0.225lbs 1N·m ≅ 0.738lb·ft