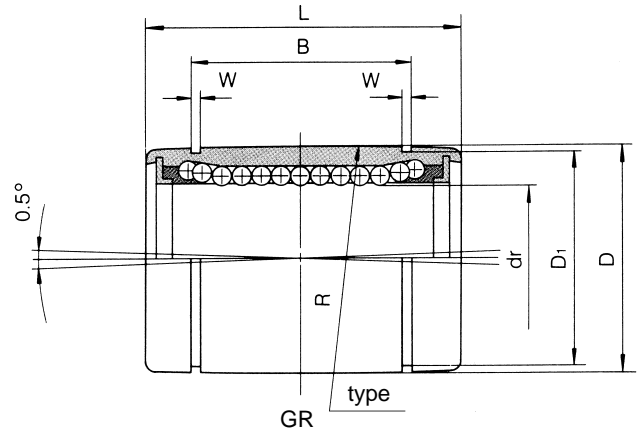
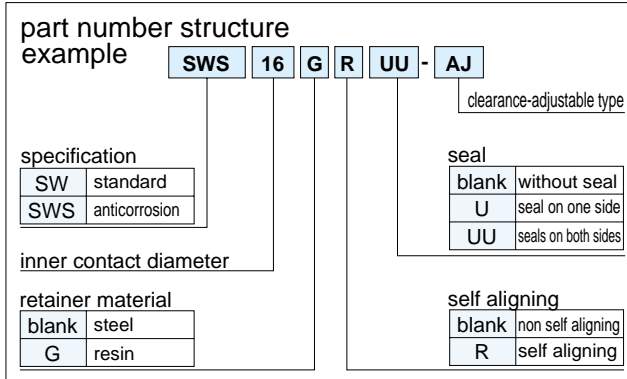


SW-AJ TYPE

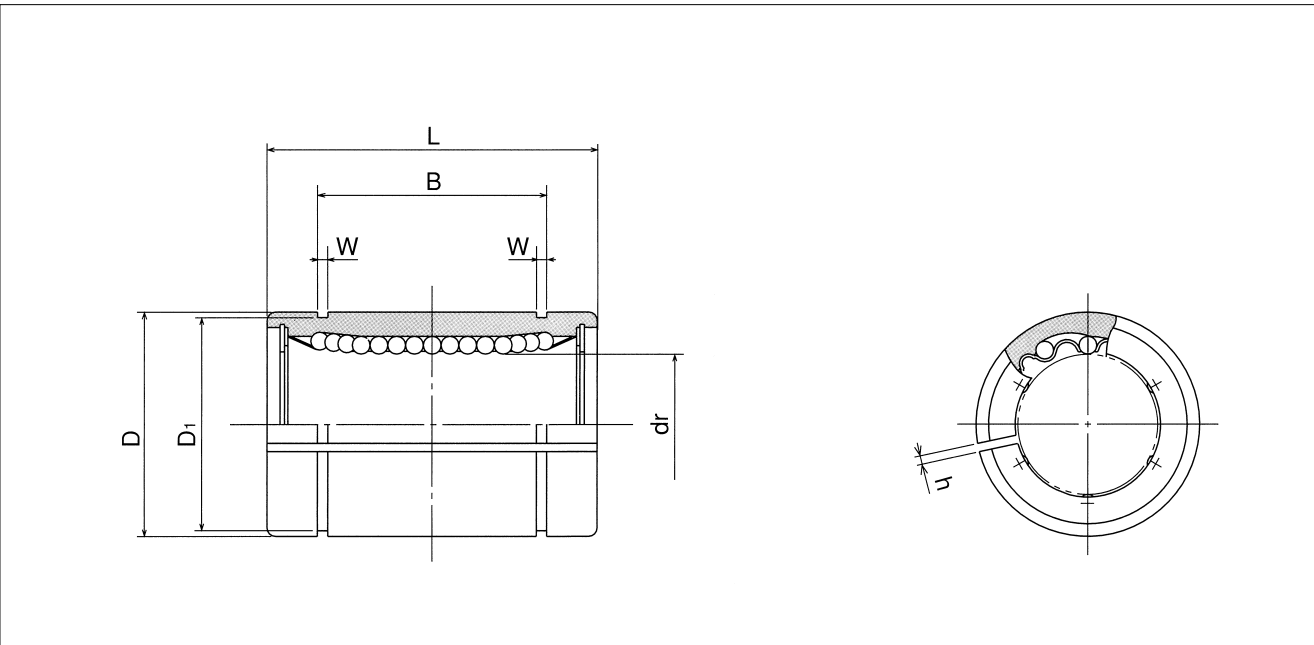
– Clearance Adjustable Type –

This type is an inch dimension series mainly used in the U.S.



part number					number of ball circuits	dr			
standard		anticorrosion				inch	tolerance*	D	
steel retainer	resin retainer	stainless retainer	resin retainer	inch				tolerance*	
–	SW 4G-AJ	–	–	SWS 4G-AJ	4	.2500 6.350	– .00040	.5000 12.700	⁰ _{–11}
–	SW 6G-AJ	–	–	SWS 6G-AJ	4	.3750 9.525		.6250 15.875	⁰ _{–13}
SW 8-AJ	SW 8G-AJ	SW 8GR-AJ	SWS 8-AJ	SWS 8G-AJ	4	5.000 12.700	⁰ _{–9}	.8750 22.225	– .00050
SW10-AJ	SW10G-AJ	SW10GR-AJ	SWS10-AJ	SWS10G-AJ	4	.625 15.875		1.1250 28.575	– 13
SW12-AJ	SW12G-AJ	SW12GR-AJ	SWS12-AJ	SWS12G-AJ	5	.7500 19.050	– .00040	1.2500 31.750	⁰ _{–.00065}
SW16-AJ	SW16G-AJ	SW16GR-AJ	SWS16-AJ	SWS16G-AJ	6	1.0000 25.400	⁰ _{–10}	1.5625 39.688	⁰ _{–16}
SW20-AJ	SW20G-AJ	SW20GR-AJ	SWS20-AJ	SWS20G-AJ	6	1.2500 31.750	⁰ _{–.00050}	2.0000 50.800	⁰ _{–.00075}
SW24-AJ	SW24G-AJ	SW24GR-AJ	SWS24-AJ	SWS24G-AJ	6	1.5000 38.100	⁰ _{–12}	2.3750 60.325	⁰ _{–19}
SW32-AJ	SW32G-AJ	SW32GR-AJ	SWS32-AJ	SWS32G-AJ	6	2.0000 50.800		3.0000 76.200	⁰ _{–.00090}
SW40-AJ	–	–	–	–	6	2.5000 63.500	– .00060	3.7500 95.250	⁰ _{–22}
SW48-AJ	–	–	–	–	6	3.0000 76.200	⁰ _{–15}	4.50000 114.300	⁰ _{–25}
SW64-AJ	–	–	–	–	6	4.0000 101.600	⁰ _{–20}	6.0000 152.400	⁰ _{–25}

* Accuracy is measured prior to machining clearance slot.



major dimensions							eccentricity	Radial clearance (Max)	basic load rating		mass	shaft diameter
inch	L tolerance	inch	B tolerance	W	D ₁	h			dynamic C	static Co		
mm	inch/mm	mm	inch/mm	mm	mm	mm	inch	inch/μm	N	N	g	mm
.7500 19.050	0	.5100 12.98	0	.0390 0.992	.4687 11.906	.04 1	.0005	-.0001	206	265	7.5	1/4 6.350
.8750 22.225		.6358 12.15		.0390 0.992	.5880 14.935	.04 1	12	-3	225	314	13.5	3/8 9.525
1.2500 31.750	-0.008	.9625 24.46	-0.008	.0459 1.168	.8209 20.853	.06 1.5	.0005	-.0001	510	784	41	1/2 12.700
1.5000 38.100		1.1039 28.04		.0559 1.422	1.0590 26.899	.06 1.5	12	-4	774	1,180	83	5/8 15.875
1.6250 41.275	-0.2	1.1657 29.61	-0.2	.0559 1.422	1.1760 29.870	.06 1.5	.0006	-.0002	862	1,370	102	3/4 19.050
2.2500 57.150		1.7547 44.57		.0679 1.727	1.4687 37.306	.06 1.5	15	-6	980	1,570	218	1 25.400
2.6250 66.675	0	2.0047 50.92	0	.0679 1.727	1.8859 47.904	.10 2.5	.0008	-.0003	1,570	2,740	455	1-1/4 31.750
3.0000 76.200		2.4118 61.26		.0859 2.184	2.2389 56.870	.12 3	20	-8	2,180	4,020	710	1-1/2 38.100
4.0000 101.600	-0.3	3.1917 81.07	-0.3	.1029 2.616	2.8379 72.085	.12 3	.0010	-.0005	3,820	7,940	1,290	2 50.800
5.0000 127.000		3.9760 100.99		.1200 3.048	3.5519 90.220	.12 3		25	-13	4,700	10,000	2,560
6.0000 152.400	0	4.726 120.04	0	.1200 3.048	4.3100 109.474	.12 3	.0012	-.0008	7,350	16,000	4,350	3 76.200
8.0000 203.200		6.258 158.95		.1389 3.530	5.745 145.923	.12 3		30	-20	14,100	34,800	10,150

1N ≅ 0.225lbs 1kg ≅ 2.205lbs