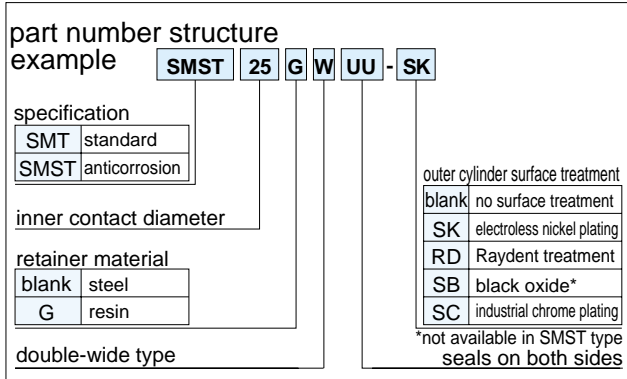


SMT-W TYPE

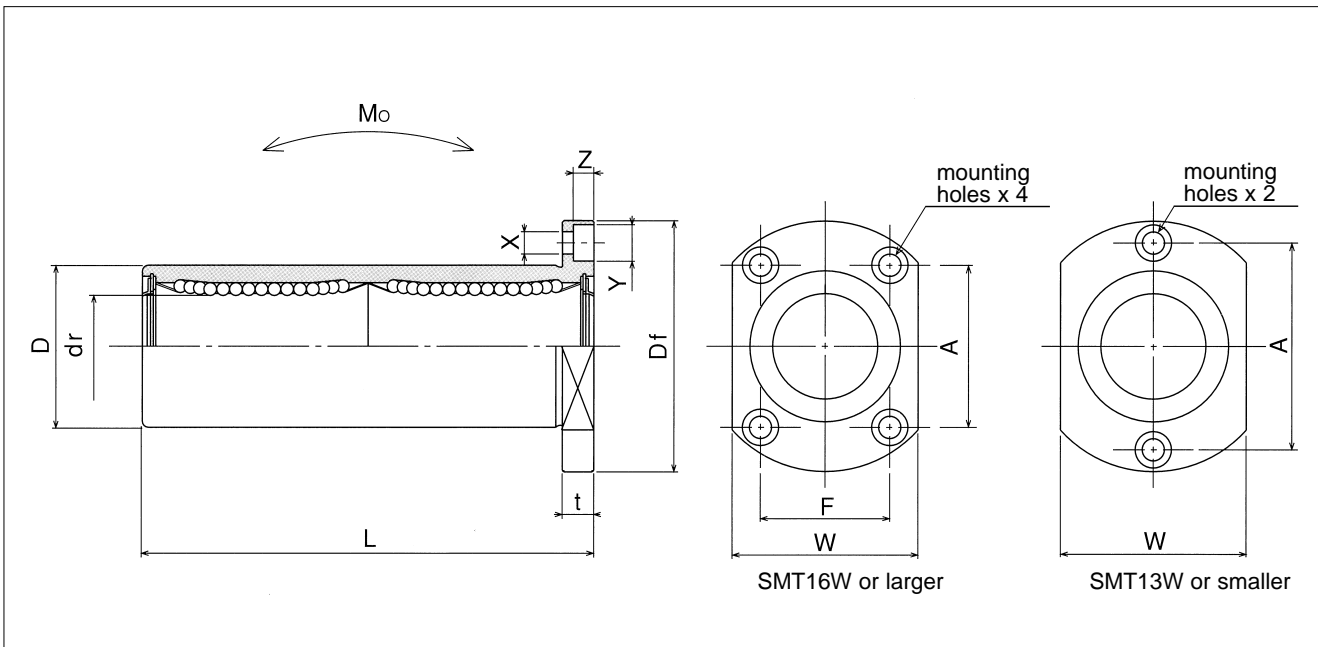
— Two Side Cut Double-Wide Flange Type —

This type is a metric dimension series widely used in Japan and other countries.



part number*										
standard		anticorrosion		dr		D		L	Df	
steel retainer	resin retainer	stainless retainer	resin retainer	mm	tolerance μm	mm	tolerance μm	±0.3 mm	mm	
SMT 6WUU	SMT 6GWUU	SMST 6WUU	SMST 6GWUU	6	-10	12	0	35	28	
SMT 8WUU	SMT 8GWUU	SMST 8WUU	SMST 8GWUU	8		15	-13	45	32	
SMT10WUU	SMT10GWUU	SMST10WUU	SMST10GWUU	10		19	-16	55	40	
SMT12WUU	SMT12GWUU	SMST12WUU	SMST12GWUU	12		21		0	57	42
SMT13WUU	SMT13GWUU	SMST13WUU	SMST13GWUU	13		23		61	43	
SMT16WUU	SMT16GWUU	SMST16WUU	SMST16GWUU	16	28	70	48			
SMT20WUU	SMT20GWUU	SMST20WUU	SMST20GWUU	20	-12	32	-19	80	54	
SMT25WUU	SMT25GWUU	SMST25WUU	SMST25GWUU	25		40		0	112	62
SMT30WUU	SMT30GWUU	SMST30WUU	SMST30GWUU	30		45		123	74	

* UU type is standard feature.



major dimensions					eccentricity μm	perpen- dicularity μm	basic load rating		allowable static moment M_o $\text{N}\cdot\text{m}$	mass g	shaft diameter mm
flange							dynamic N	static N			
W mm	t mm	A mm	F mm	$X\times Y\times Z$ mm							
18	5	20	—	3.5×6×3.1	15	15	323	530	2.18	28	6
21	5	24	—	3.5×6×3.1			431	784	4.31	47	8
25	6	29	—	4.5×7.5×4.1			588	1,100	7.24	90	10
27	6	32	—	4.5×7.5×4.1			813	1,570	10.9	102	12
29	6	33	—	4.5×7.5×4.1			813	1,570	11.6	123	13
34	6	31	22	4.5×7.5×4.1			1,230	2,350	19.7	182	16
38	8	36	24	5.5×9×5.1	20	20	1,400	2,740	26.8	247	20
46	8	40	32	5.5×9×5.1			1,560	3,140	43.4	525	25
51	10	49	35	6.6×11×6.1			2,490	5,490	82.8	645	30

1N \approx 0.102kgf 1N·m \approx 0.102kgf·m