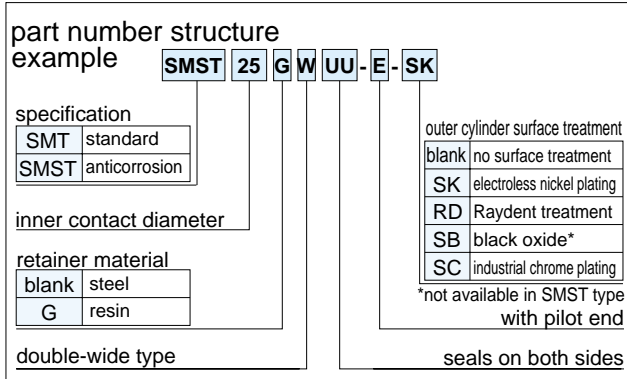
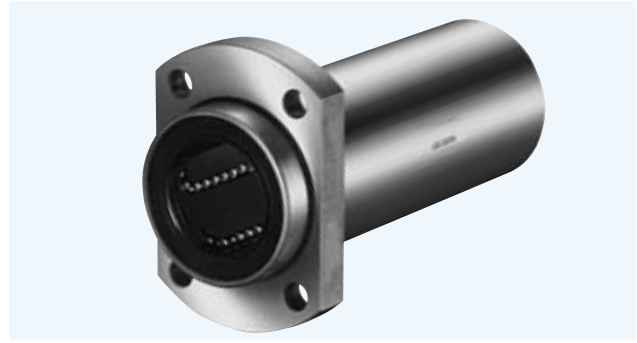


# SMT-W-E TYPE

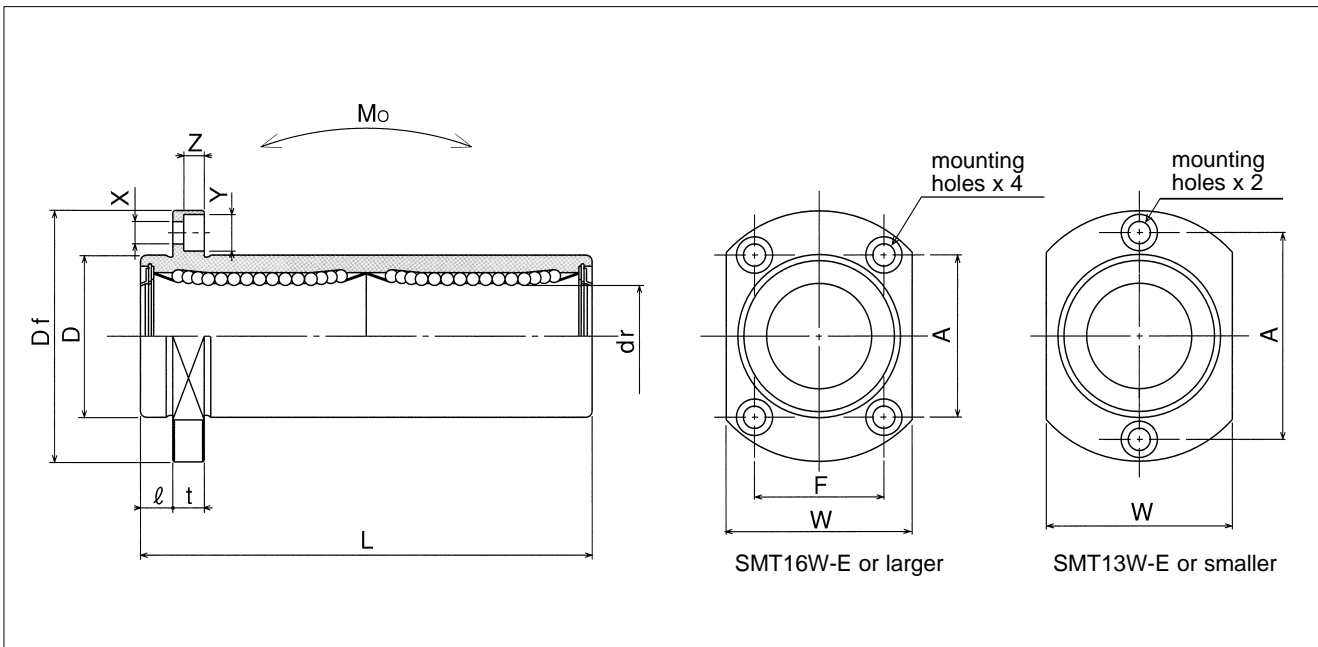
— Two Side Cut Double-Wide Flange Pilot End Type —

This type is a metric dimension series widely used in Japan and other countries.



part number*										
standard		anticorrosion		dr		D		L		
steel retainer	resin retainer	stainless retainer	resin retainer	mm	tolerance μm	mm	tolerance μm	±0.3 mm	ℓ mm	Df mm
SMT 6WUU-E	SMT 6GWUU-E	SMST 6WUU-E	SMST 6GWUU-E	6		12	0	35	5	28
SMT 8WUU-E	SMT 8GWUU-E	SMST 8WUU-E	SMST 8GWUU-E	8		15	-13	45	5	32
SMT10WUU-E	SMT10GWUU-E	SMST10WUU-E	SMST10GWUU-E	10	0	19		55	6	40
SMT12WUU-E	SMT12GWUU-E	SMST12WUU-E	SMST12GWUU-E	12	-10	21	0	57	6	42
SMT13WUU-E	SMT13GWUU-E	SMST13WUU-E	SMST13GWUU-E	13		23	-16	61	6	43
SMT16WUU-E	SMT16GWUU-E	SMST16WUU-E	SMST16GWUU-E	16		28		70	6	48
SMT20WUU-E	SMT20GWUU-E	SMST20WUU-E	SMST20GWUU-E	20	0	32	0	80	8	54
SMT25WUU-E	SMT25GWUU-E	SMST25WUU-E	SMST25GWUU-E	25		40		112	8	62
SMT30WUU-E	SMT30GWUU-E	SMST30WUU-E	SMST30GWUU-E	30	-12	45	-19	123	10	74

\* UU type is standard feature.



major dimensions					eccentricity	perpen- dicularity	basic load rating		allowable static moment $M_o$	mass	shaft diameter
flange							dynamic	static			
W	t	A	F	X×Y×Z	$\mu\text{m}$	$\mu\text{m}$			C	$C_o$	$\text{N} \cdot \text{m}$
18	5	20	—	3.5×6×3.1	15	15	323	530	2.18	28	6
21	5	24	—	3.5×6×3.1			431	784	4.31	47	8
25	6	29	—	4.5×7.5×4.1			588	1,100	7.24	90	10
27	6	32	—	4.5×7.5×4.1			813	1,570	10.9	102	12
29	6	33	—	4.5×7.5×4.1			813	1,570	11.6	123	13
34	6	31	22	4.5×7.5×4.1			1,230	2,350	19.7	182	16
38	8	36	24	5.5×9×5.1	20	20	1,400	2,740	26.8	247	20
46	8	40	32	5.5×9×5.1			1,560	3,140	43.4	525	25
51	10	49	35	6.6×11×6.1			2,490	5,490	82.8	645	30

1N≒0.102kgf 1N·m≒0.102kgf·m