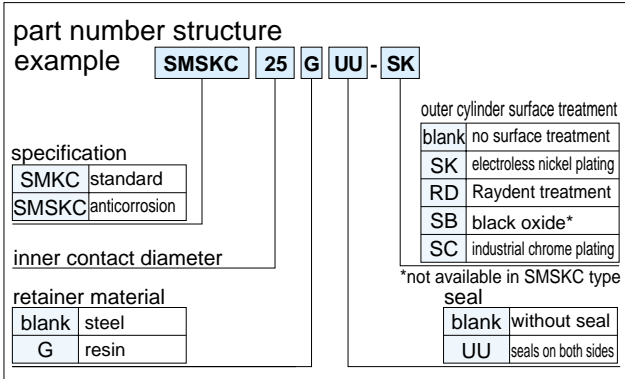


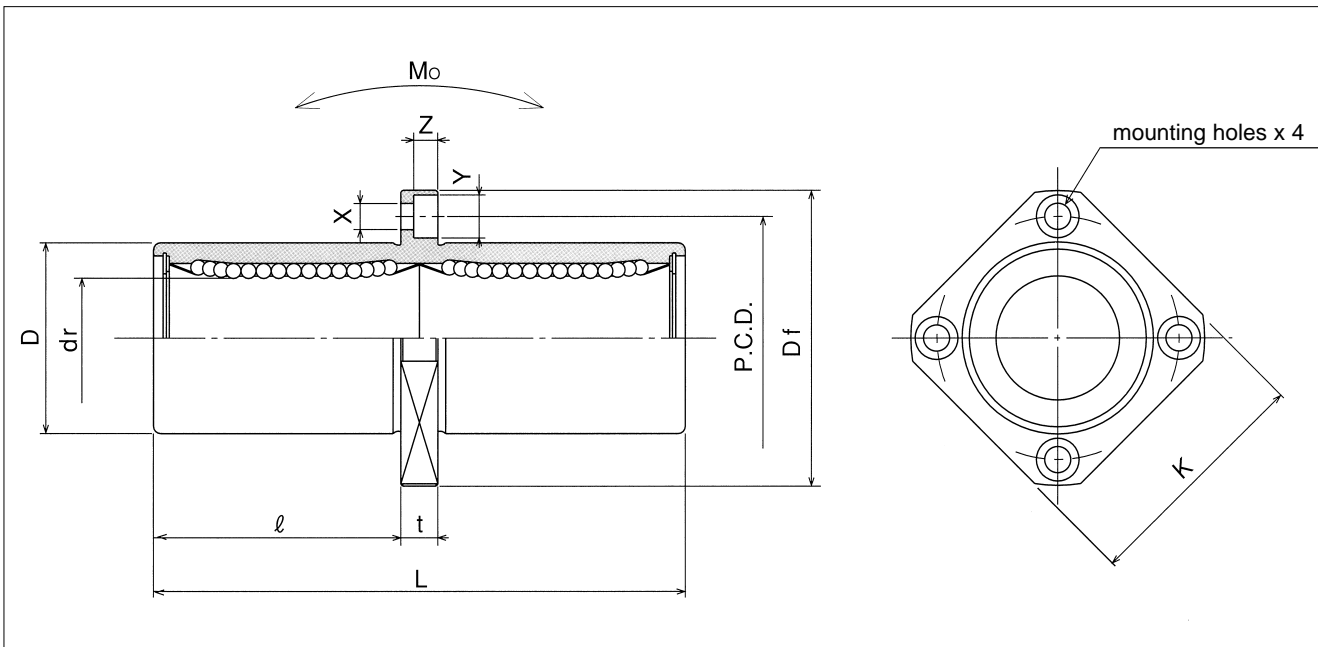
SMKC TYPE

– Center Mount Square Flange Type –

This type is a metric dimension series widely used in Japan and other countries.



part number									
standard		anticorrosion		dr		D		L	
steel retainer	resin retainer	stainless retainer	resin retainer	mm	tolerance μm	mm	tolerance μm	±0.3 mm	ℓ mm
SMKC 6	SMKC 6G	SMSKC 6	SMSKC 6G	6		12	0	35	15
SMKC 8	SMKC 8G	SMSKC 8	SMSKC 8G	8		15	-13	45	20
SMKC10	SMKC10G	SMSKC10	SMSKC10G	10	0	19		55	24.5
SMKC12	SMKC12G	SMSKC12	SMSKC12G	12	-10	21	0	57	25.5
SMKC13	SMKC13G	SMSKC13	SMSKC13G	13		23	-16	61	27.5
SMKC16	SMKC16G	SMSKC16	SMSKC16G	16		28		70	32
SMKC20	SMKC20G	SMSKC20	SMSKC20G	20	0	32	0	80	36
SMKC25	SMKC25G	SMSKC25	SMSKC25G	25		40		112	52
SMKC30	SMKC30G	SMSKC30	SMSKC30G	30	-12	45	-19	123	56.5
SMKC35	SMKC35G	SMSKC35	SMSKC35G	35	0	52	0	135	62.5
SMKC40	SMKC40G	SMSKC40	SMSKC40G	40		60		151	69
SMKC50	SMKC50G	SMSKC50	SMSKC50G	50	-15	80	-22	192	89.5
SMKC60	SMKC60G	SMSKC60	SMSKC60G	60	0/-20	90	0/-25	209	95.5



major dimensions					eccentricity μm	perpen- dicularity μm	basic load rating		allowable static moment Mo $\text{N}\cdot\text{m}$	mass g	shaft diameter mm
flange							dynamic C N	static Co N			
Df mm	K mm	t mm	P.C.D. mm	X×Y×Z mm							
28	22	5	20	3.5×6×3.1	15	15	323	530	2.18	25	6
32	25	5	24	3.5×6×3.1			431	784	4.31	43	8
40	30	6	29	4.5×7.5×4.1			588	1,100	7.24	78	10
42	32	6	32	4.5×7.5×4.1			813	1,570	10.9	90	12
43	34	6	33	4.5×7.5×4.1			813	1,570	11.6	108	13
48	37	6	38	4.5×7.5×4.1			1,230	2,350	19.7	165	16
54	42	8	43	5.5×9×5.1	20	20	1,400	2,740	26.8	225	20
62	50	8	51	5.5×9×5.1			1,560	3,140	43.4	500	25
74	58	10	60	6.6×11×6.1			2,490	5,490	82.8	590	30
82	64	10	67	6.6×11×6.1	25	25	2,650	6,270	110	930	35
96	75	13	78	9×14×8.1			3,430	8,040	147	1,380	40
116	92	13	98	9×14×8.1			6,080	15,900	397	3,400	50
134	106	18	112	11×17×11.1	30	30	7,550	20,000	530	4,060	60

1N \approx 0.102kgf 1N·m \approx 0.102kgf·m