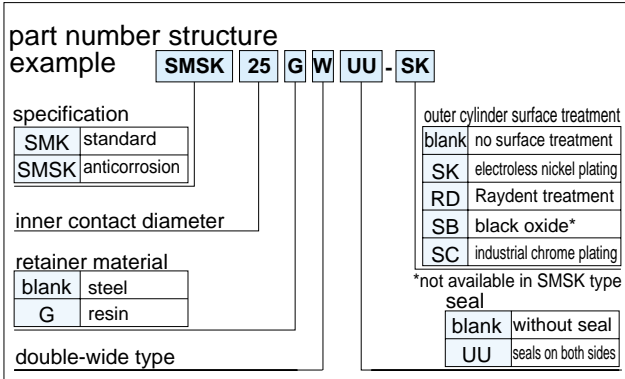
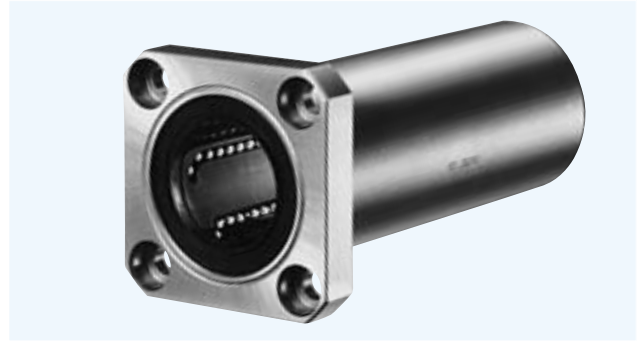


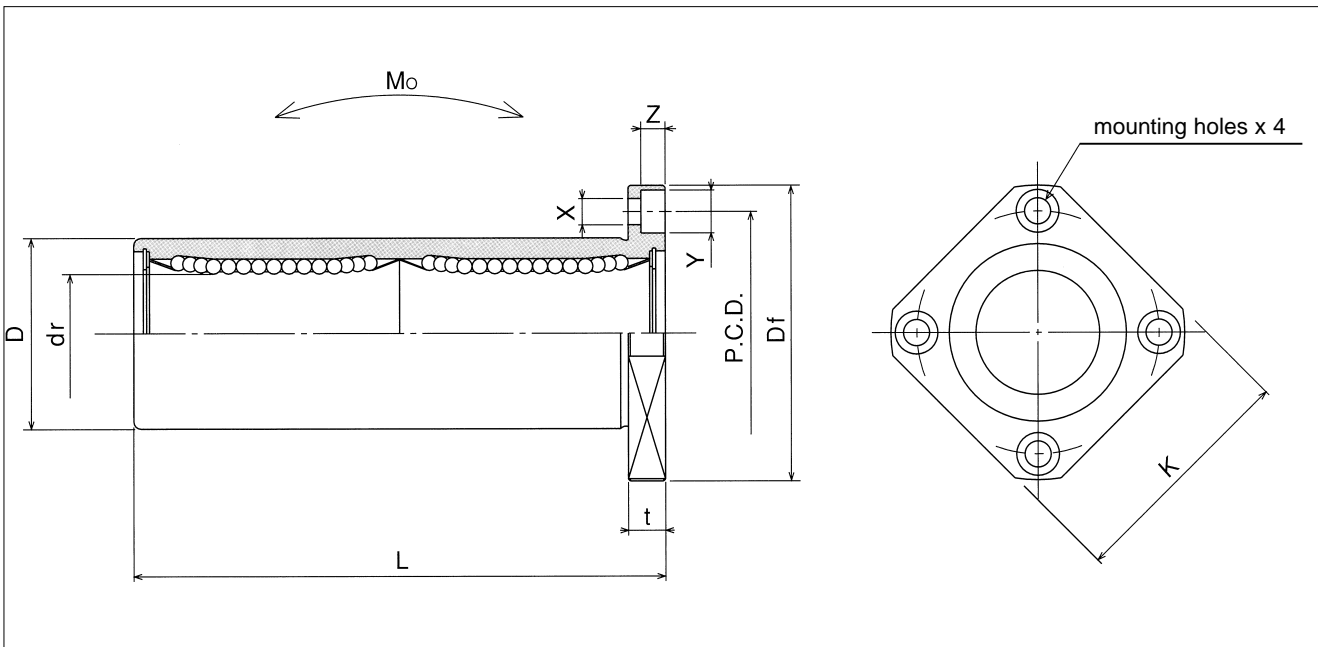
SMK-W TYPE

— Square Flange Double-Wide Type —

This type is a metric dimension series widely used in Japan and other countries.



part number									
standard		anticorrosion		dr		D		L	Df
steel retainer	resin retainer	stainless retainer	resin retainer	mm	tolerance μm	mm	tolerance μm	±0.3 mm	mm
SMK 6W	SMK 6GW	SMSK 6W	SMSK 6GW	6		12	0	35	28
SMK 8W	SMK 8GW	SMSK 8W	SMSK 8GW	8		15	-13	45	32
SMK10W	SMK10GW	SMSK10W	SMSK10GW	10	0	19		55	40
SMK12W	SMK12GW	SMSK12W	SMSK12GW	12	-10	21	0	57	42
SMK13W	SMK13GW	SMSK13W	SMSK13GW	13		23	-16	61	43
SMK16W	SMK16GW	SMSK16W	SMSK16GW	16		28		70	48
SMK20W	SMK20GW	SMSK20W	SMSK20GW	20	0	32	0	80	54
SMK25W	SMK25GW	SMSK25W	SMSK25GW	25	-12	40	-19	112	62
SMK30W	SMK30GW	SMSK30W	SMSK30GW	30		45		123	74
SMK35W	SMK35GW	SMSK35W	SMSK35GW	35	0	52	0	135	82
SMK40W	SMK40GW	SMSK40W	SMSK40GW	40	-15	60	-22	151	96
SMK50W	SMK50GW	SMSK50W	SMSK50GW	50		80		192	116
SMK60W	SMK60GW	SMSK60W	SMSK60GW	60	0/-20	90	0/-25	209	134



major dimensions				eccentricity μm	perpen- dicularity μm	basic load rating		allowable static moment M_o $\text{N} \cdot \text{m}$	mass g	shaft diameter mm
flange						dynamic C N	static C_o N			
K mm	t mm	P.C.D. mm	X×Y×Z mm							
22	5	20	3.5×6×3.1	15	15	323	530	2.18	25	6
25	5	24	3.5×6×3.1			431	784	4.31	43	8
30	6	29	4.5×7.5×4.1			588	1,100	7.24	78	10
32	6	32	4.5×7.5×4.1			813	1,570	10.9	90	12
34	6	33	4.5×7.5×4.1			813	1,570	11.6	108	13
37	6	38	4.5×7.5×4.1			1,230	2,350	19.7	165	16
42	8	43	5.5×9×5.1	20	20	1,400	2,740	26.8	225	20
50	8	51	5.5×9×5.1			1,560	3,140	43.4	500	25
58	10	60	6.6×11×6.1			2,490	5,490	82.8	590	30
64	10	67	6.6×11×6.1	25	25	2,650	6,270	110	930	35
75	13	78	9×14×8.1			3,430	8,040	147	1,380	40
92	13	98	9×14×8.1			6,080	15,900	397	3,400	50
106	18	112	11×17×11.1			7,550	20,000	530	4,060	60

1N \approx 0.102kgf 1N·m \approx 0.102kgf·m