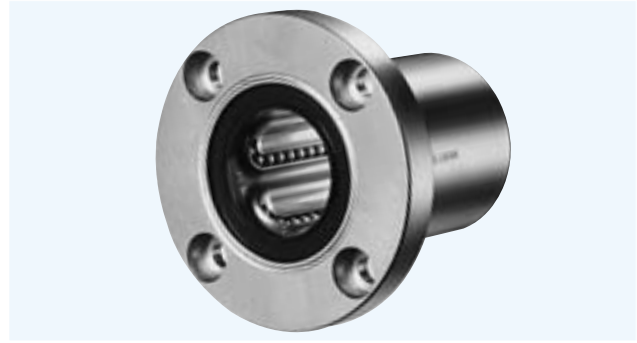


SMF TYPE

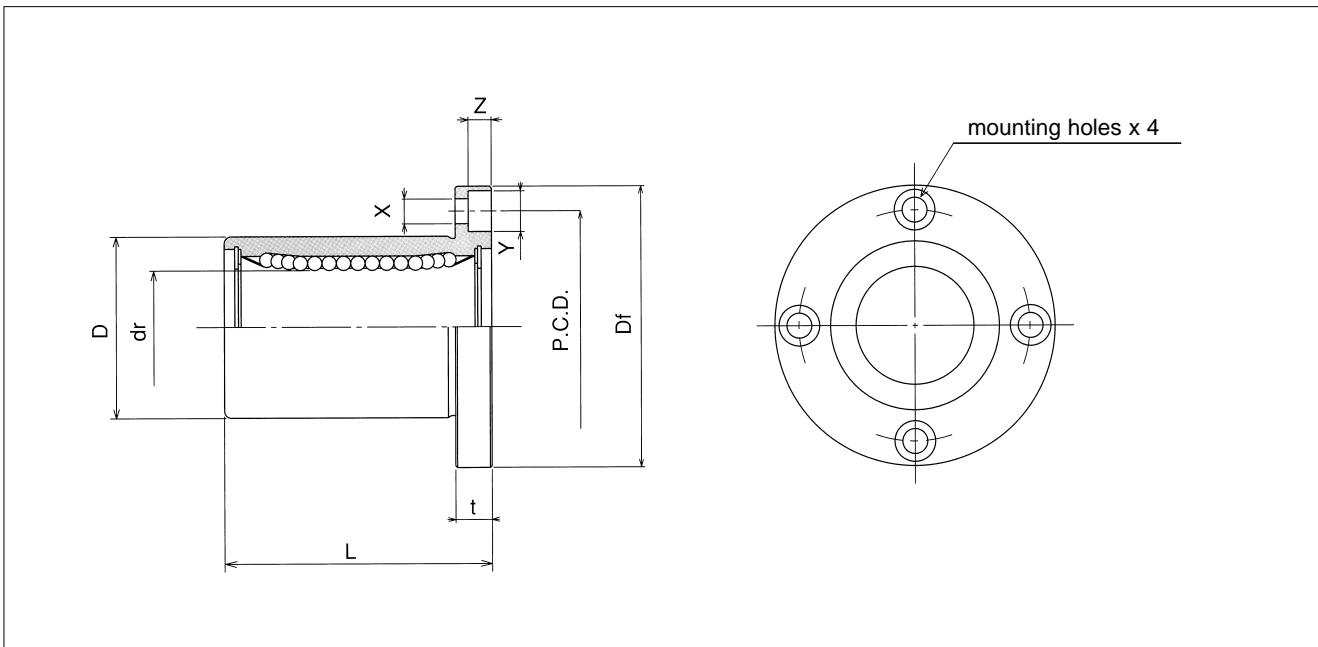
— Round Flange Type —

This type is a metric dimension series widely used in Japan and other countries.



part number structure											
example	SMSF 25 G UU - SK										
specification	<table border="1"> <tr> <td>SMF</td> <td>standard</td> </tr> <tr> <td>SMSF</td> <td>anticorrosion</td> </tr> </table>	SMF	standard	SMSF	anticorrosion						
SMF	standard										
SMSF	anticorrosion										
inner contact diameter											
retainer material	<table border="1"> <tr> <td>blank</td> <td>steel</td> </tr> <tr> <td>G</td> <td>resin</td> </tr> </table>	blank	steel	G	resin						
blank	steel										
G	resin										
outer cylinder surface treatment	<table border="1"> <tr> <td>blank</td> <td>no surface treatment</td> </tr> <tr> <td>SK</td> <td>electroless nickel plating</td> </tr> <tr> <td>RD</td> <td>Raydent treatment</td> </tr> <tr> <td>SB</td> <td>black oxide*</td> </tr> <tr> <td>SC</td> <td>industrial chrome plating</td> </tr> </table>	blank	no surface treatment	SK	electroless nickel plating	RD	Raydent treatment	SB	black oxide*	SC	industrial chrome plating
blank	no surface treatment										
SK	electroless nickel plating										
RD	Raydent treatment										
SB	black oxide*										
SC	industrial chrome plating										
*not available in SMSF type											
seal	<table border="1"> <tr> <td>blank</td> <td>without seal</td> </tr> <tr> <td>UU</td> <td>seals on both sides</td> </tr> </table>	blank	without seal	UU	seals on both sides						
blank	without seal										
UU	seals on both sides										

part number				dr	tolerance μm	D	tolerance μm	L ±0.3 mm
standard		anticorrosion						
steel retainer	resin retainer	stainless retainer	resin retainer	mm		mm		
SMF 6	SMF 6G	SMSF 6	SMSF 6G	6	0 - 9	12	0	19
SMF 8s	SMF8sG	SMSF8s	SMSF8sG	8		15	-13	17
SMF 8	SMF 8G	SMSF 8	SMSF 8G	8		15		24
SMF 10	SMF10G	SMSF10	SMSF10G	10		19		29
SMF 12	SMF12G	SMSF12	SMSF12G	12		21	0	30
SMF 13	SMF13G	SMSF13	SMSF13G	13		23	-16	32
SMF 16	SMF16G	SMSF16	SMSF16G	16		28		37
SMF 20	SMF20G	SMSF20	SMSF20G	20		32	0	42
SMF 25	SMF25G	SMSF25	SMSF25G	25		40	0	59
SMF 30	SMF30G	SMSF30	SMSF30G	30		45	-19	64
SMF 35	SMF35G	SMSF35	SMSF35G	35	52	0	70	
SMF 40	SMF40G	SMSF40	SMSF40G	40	60	0	80	
SMF 50	SMF50G	SMSF50	SMSF50G	50	80	-22	100	
SMF 60	SMF60G	SMSF60	SMSF60G	60	90	0	110	
SMF 80	—	—	—	80	120	-25	140	
SMF100	—	—	—	100	150	0/-29	175	



major dimensions				eccentricity	perpendicularity	basic load rating		mass	shaft diameter
flange						dynamic	static		
Df	t	P.C.D.	X×Y×Z	μm	μm			C	Co
mm	mm	mm	mm			N	N		
28	5	20	3.5×6×3.1	12	12	206	265	24	6
32	5	24	3.5×6×3.1			176	216	32	8
32	5	24	3.5×6×3.1			274	392	37	8
40	6	29	4.5×7.5×4.1			372	549	72	10
42	6	32	4.5×7.5×4.1			510	784	76	12
43	6	33	4.5×7.5×4.1			510	784	88	13
48	6	38	4.5×7.5×4.1			774	1,180	120	16
54	8	43	5.5×9×5.1	15	15	882	1,370	180	20
62	8	51	5.5×9×5.1			980	1,570	340	25
74	10	60	6.6×11×6.1			1,570	2,740	470	30
82	10	67	6.6×11×6.1	20	20	1,670	3,140	650	35
96	13	78	9×14×8.1			2,160	4,020	1,060	40
116	13	98	9×14×8.1			3,820	7,940	2,200	50
134	18	112	11×17×11.1	25	25	4,700	10,000	3,000	60
164	18	142	11×17×11.1			7,350	16,000	5,800	80
200	20	175	14×20×13.1			14,100	34,800	10,600	100

1N≐0.102kgf