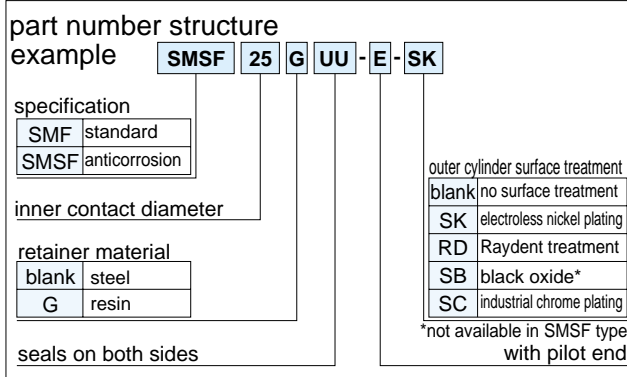


SMF-E TYPE

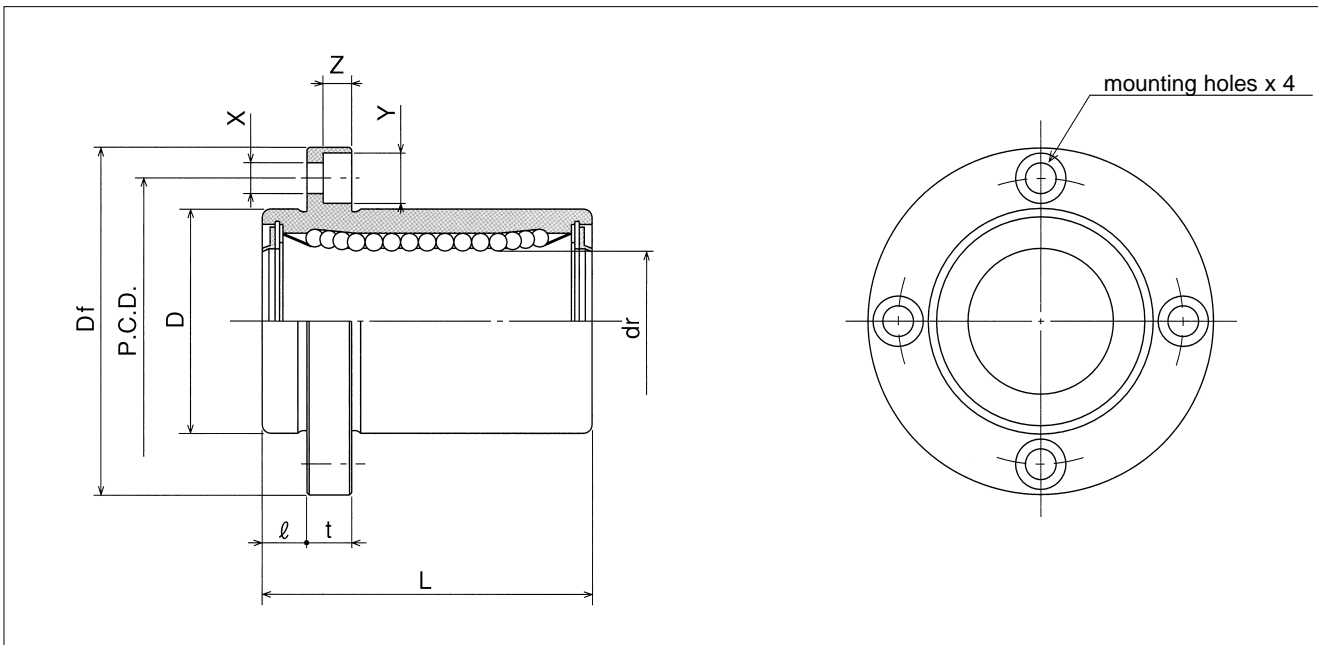
– Round Flange Type with Pilot End –

This type is a metric dimension series widely used in Japan and other countries.



part number*								
standard		anticorrosion		dr		D		L
steel retainer	resin retainer	stainless retainer	resin retainer	mm	tolerance μm	mm	tolerance μm	±0.3 mm
SMF 6UU-E	SMF 6GUU-E	SMSF 6UU-E	SMSF 6GUU-E	6		12	0	19
SMF 8UU-E	SMF 8GUU-E	SMSF 8UU-E	SMSF 8GUU-E	8		15	-13	24
SMF10UU-E	SMF10GUU-E	SMSF10UU-E	SMSF10GUU-E	10	0	19		29
SMF12UU-E	SMF12GUU-E	SMSF12UU-E	SMSF12GUU-E	12	-9	21	0	30
SMF13UU-E	SMF13GUU-E	SMSF13UU-E	SMSF13GUU-E	13		23	-16	32
SMF16UU-E	SMF16GUU-E	SMSF16UU-E	SMSF16GUU-E	16		28		37
SMF20UU-E	SMF20GUU-E	SMSF20UU-E	SMSF20GUU-E	20	0	32	0	42
SMF25UU-E	SMF25GUU-E	SMSF25UU-E	SMSF25GUU-E	25	-10	40	-19	59
SMF30UU-E	SMF30GUU-E	SMSF30UU-E	SMSF30GUU-E	30		45		64
SMF35UU-E	SMF35GUU-E	—	—	35	0	52	0	70
SMF40UU-E	SMF40GUU-E	—	—	40		60		80
SMF50UU-E	SMF50GUU-E	—	—	50	-12	80	-22	100
SMF60UU-E	SMF60GUU-E	—	—	60	0/-15	90	0/-25	110

* UU type is standard feature.



major dimensions					eccentricity	perpendicularity	basic load rating		mass	shaft diameter
flange							dynamic	static		
ℓ	Df	t	P.C.D.	X×Y×Z	μm	μm			C	Co
mm	mm	mm	mm	mm			N	N		
5	28	5	20	3.5×6×3.1	12	12	206	265	24	6
5	32	5	24	3.5×6×3.1			274	392	37	8
6	40	6	29	4.5×7.5×4.1			372	549	72	10
6	42	6	32	4.5×7.5×4.1			510	784	76	12
6	43	6	33	4.5×7.5×4.1			510	784	88	13
6	48	6	38	4.5×7.5×4.1			774	1,180	120	16
8	54	8	43	5.5×9×5.1	15	15	882	1,370	180	20
8	62	8	51	5.5×9×5.1			980	1,570	340	25
10	74	10	60	6.6×11×6.1	20	20	1,570	2,740	470	30
10	82	10	67	6.6×11×6.1			1,670	3,140	650	35
13	96	13	78	9×14×8.1			2,160	4,020	1,060	40
13	116	13	98	9×14×8.1	25	25	3,820	7,940	2,200	50
18	134	18	112	11×17×11.1			4,700	10,000	3,000	60

1N≐0.102kgf