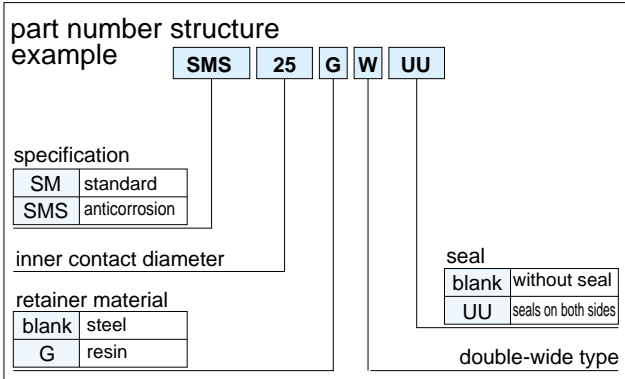
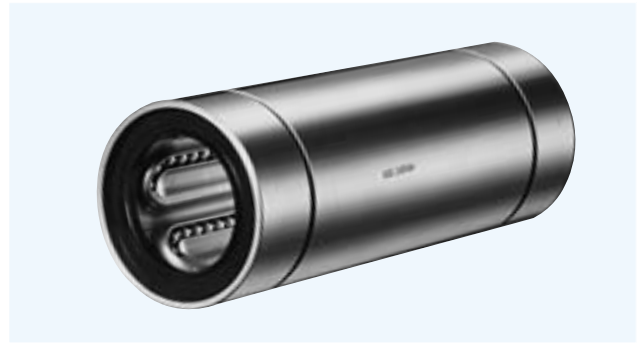


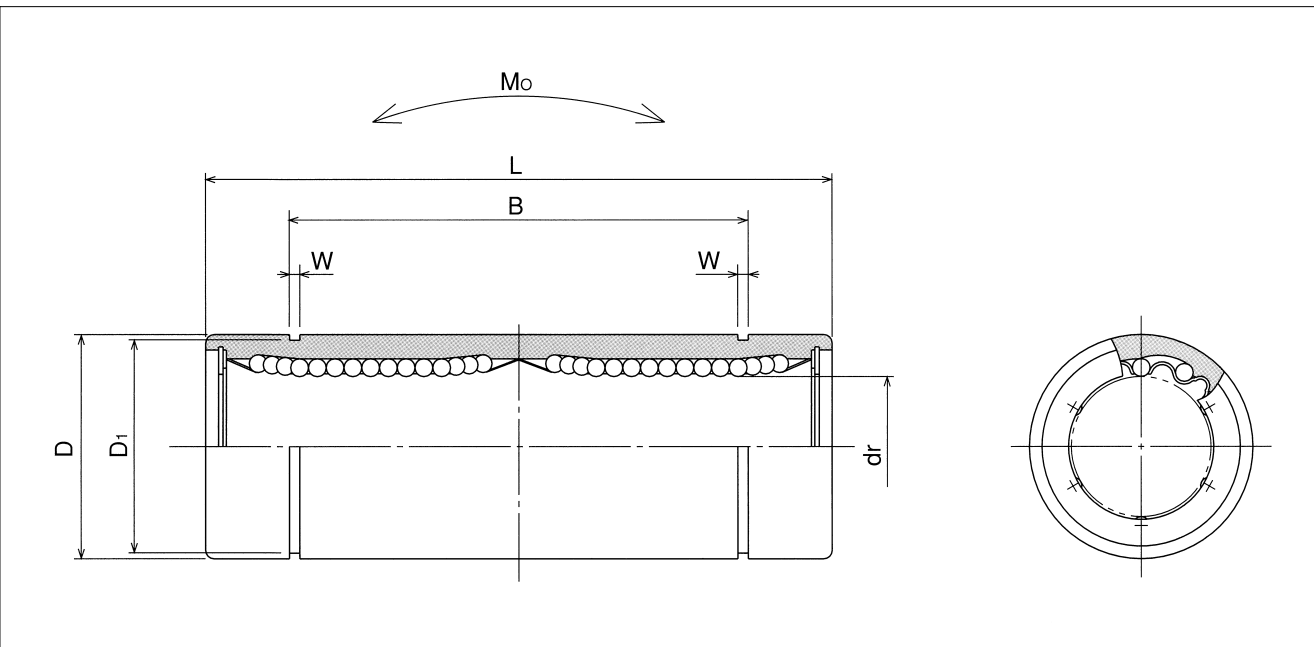
SM-W TYPE

— Double-Wide Type —

This type is a metric dimension series widely used in Japan and other countries.



part number				number of ball circuits	D			
standard		anticorrosion			dr	D		tolerance μm
steel retainer	resin retainer	stainless retainer	resin retainer			mm	mm	
SM 5W	SM 5GW	SMS 5W	SMS 5GW	4	5	10	0/-11	
SM 6W	SM 6GW	SMS 6W	SMS 6GW	4	6	12	0	
SM 8W	SM 8GW	SMS 8W	SMS 8GW	4	8	15	-13	
SM10W	SM10GW	SMS10W	SMS10GW	4	10	19	0	
SM12W	SM12GW	SMS12W	SMS12GW	4	12	21	-16	
SM13W	SM13GW	SMS13W	SMS13GW	4	13	23	0	
SM16W	SM16GW	SMS16W	SMS16GW	4	16	28	-19	
SM20W	SM20GW	SMS20W	SMS20GW	5	20	32	0	
SM25W	SM25GW	SMS25W	SMS25GW	6	25	40	-22	
SM30W	SM30GW	SMS30W	SMS30GW	6	30	45	0	
SM35W	SM35GW	SMS35W	SMS35GW	6	35	52	-25	
SM40W	SM40GW	SMS40W	SMS40GW	6	40	60	0	
SM50W	SM50GW	SMS50W	SMS50GW	6	50	80	-22	
SM60W	SM60GW	SMS60W	SMS60GW	6	60	90	0/-25	



major dimensions						eccentricity	basic load rating		allowable static moment M_o	mass	shaft diameter		
	L	B		W	D_1		dynamic	static					
mm	tolerance mm	mm	tolerance mm	mm	mm	μm	C	C_o	$N \cdot m$	g	mm		
28	0 -0.3	20.4	0 -0.3	1.1	9.6	10	265	412	1.38	11	5		
35		27		1.1	11.5	15	323	530	2.18	16	6		
45		35		1.1	14.3		431	784	4.31	31	8		
55		44		1.3	18		588	1,100	7.24	62	10		
57		46		1.3	20		813	1,570	10.9	80	12		
61		46		1.3	22	813	1,570	11.6	90	13			
70		53		1.6	27	1,230	2,350	19.7	145	16			
80		61		1.6	30.5	1,400	2,740	26.8	180	20			
112	0 -0.4	82	0 -0.4	1.85	38	20	1,560	3,140	43.4	440	25		
123		89		1.85	43	2,490	5,490	82.8	480	30			
135		99		2.1	49	2,650	6,270	110	795	35			
151		121		2.1	57	3,430	8,040	147	1,170	40			
192		148		2.6	76.5	6,080	15,900	397	3,100	50			
209		170		3.15	86.5	7,550	20,000	530	3,500	60			
								25					
								30					

1N \approx 0.102kgf 1N·m \approx 0.102kgf·m