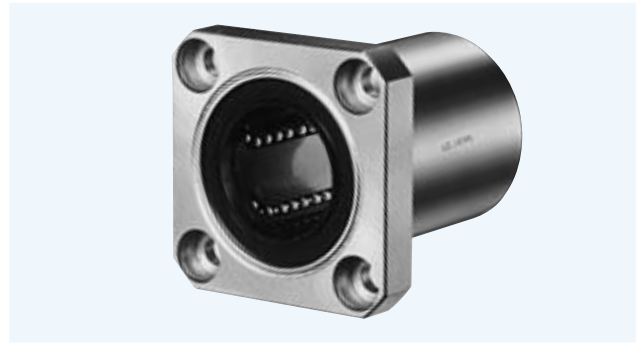


# KBK TYPE

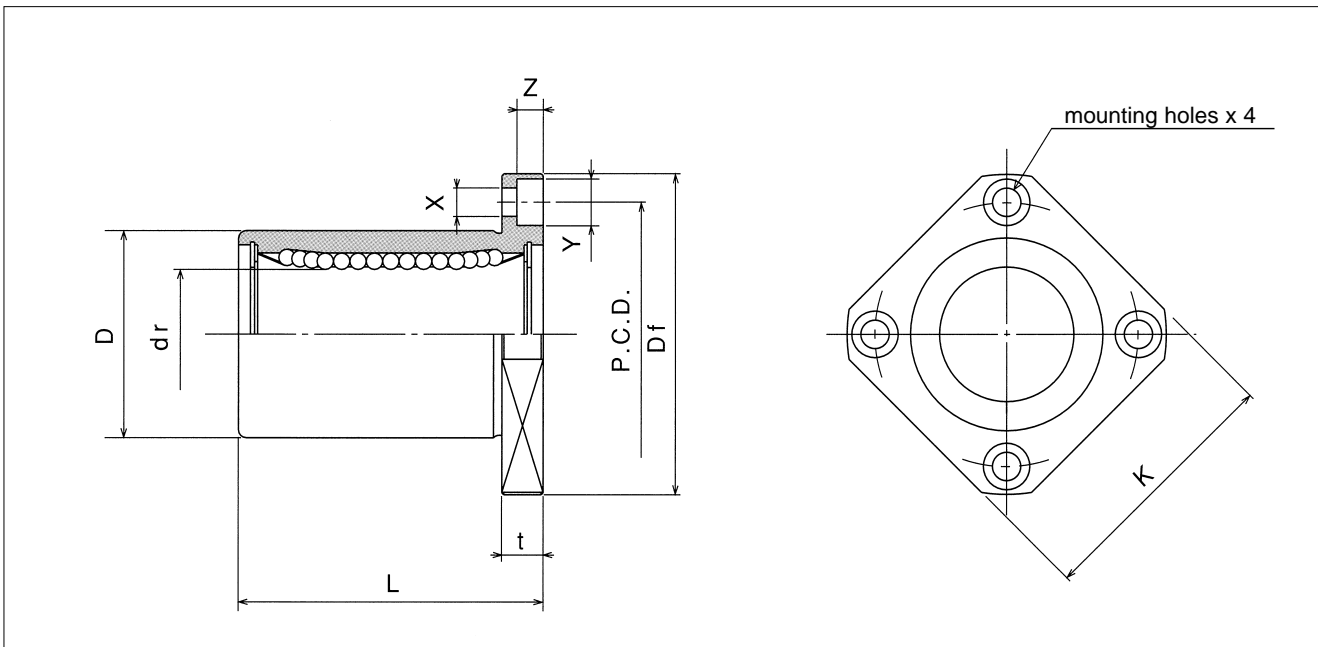
## – Square Flange Type –

This type is a metric dimension series generally used in Europe.



part number structure		example		<b>KBSK</b>	<b>25</b>	<b>G</b>	<b>UU</b>	<b>SK</b>
specification		inner contact diameter		retainer material		outer cylinder surface treatment		
KBK	standard			blank		no surface treatment		
KBSK	anticorrosion			G		SK		
				steel		electroless nickel plating		
				resin		RD		
						Raydent treatment		
						SB		
						black oxide*		
						SC		
						industrial chrome plating		
						*not available in KBSK type		
						seal		
						blank		
						without seal		
						UU		
						seals on both sides		

part number				dr		D		L
standard		anticorrosion		mm	tolerance	mm	tolerance	±0.3 mm
steel retainer	resin retainer	stainless retainer	resin retainer		μm		μm	
–	<b>KBK 5G</b>	–	<b>KBSK 5G</b>	5	+ 8	12	0	22
<b>KBK 8</b>	<b>KBK 8G</b>	<b>KBSK 8</b>	<b>KBSK 8G</b>	8	0	16	–13	25
<b>KBK12</b>	<b>KBK12G</b>	<b>KBSK12</b>	<b>KBSK12G</b>	12		22	0	32
<b>KBK16</b>	<b>KBK16G</b>	<b>KBSK16</b>	<b>KBSK16G</b>	16	+ 9	26	–16	36
<b>KBK20</b>	<b>KBK20G</b>	<b>KBSK20</b>	<b>KBSK20G</b>	20	– 1	32	0	45
<b>KBK25</b>	<b>KBK25G</b>	<b>KBSK25</b>	<b>KBSK25G</b>	25	+11	40	–19	58
<b>KBK30</b>	<b>KBK30G</b>	<b>KBSK30</b>	<b>KBSK30G</b>	30	– 1	47		68
<b>KBK40</b>	<b>KBK40G</b>	<b>KBSK40</b>	<b>KBSK40G</b>	40	+13	62	0	80
<b>KBK50</b>	<b>KBK50G</b>	<b>KBSK50</b>	<b>KBSK50G</b>	50	– 2	75	–22	100
<b>KBK60</b>	<b>KBK60G</b>	<b>KBSK60</b>	<b>KBSK60G</b>	60		90	0	125
<b>KBK80</b>	–	–	–	80	+16/–4	120	–25	165



major dimensions					eccentricity	perpendicularity	basic load rating		mass	shaft diameter
flange							dynamic	static		
Df	K	t	P.C.D.	X×Y×Z	μm	μm			C	Co
mm	mm	mm	mm	mm			N	N		
28	22	5	20	3.5×6×3.1	12	12	206	265	20	5
32	25	5	24	3.5×6×3.1			265	402	33	8
42	32	6	32	4.5×7.5×4.1			510	784	64	12
46	35	6	36	4.5×7.5×4.1			578	892	90	16
54	42	8	43	5.5×9×5.1	15	15	862	1,370	147	20
62	50	8	51	5.5×9×5.1			980	1,570	295	25
76	60	10	62	6.6×11×6.1	17	17	1,570	2,740	465	30
98	75	13	80	9×14×8.1			2,160	4,020	975	40
112	88	13	94	9×14×8.1	20	20	3,820	7,940	1,545	50
134	106	18	112	11×17×11.1			4,700	9,800	2,780	60
164	136	18	142	11×17×11.1			7,350	16,000	5,920	80

1N≐0.102kgf