

KBFC TYPE

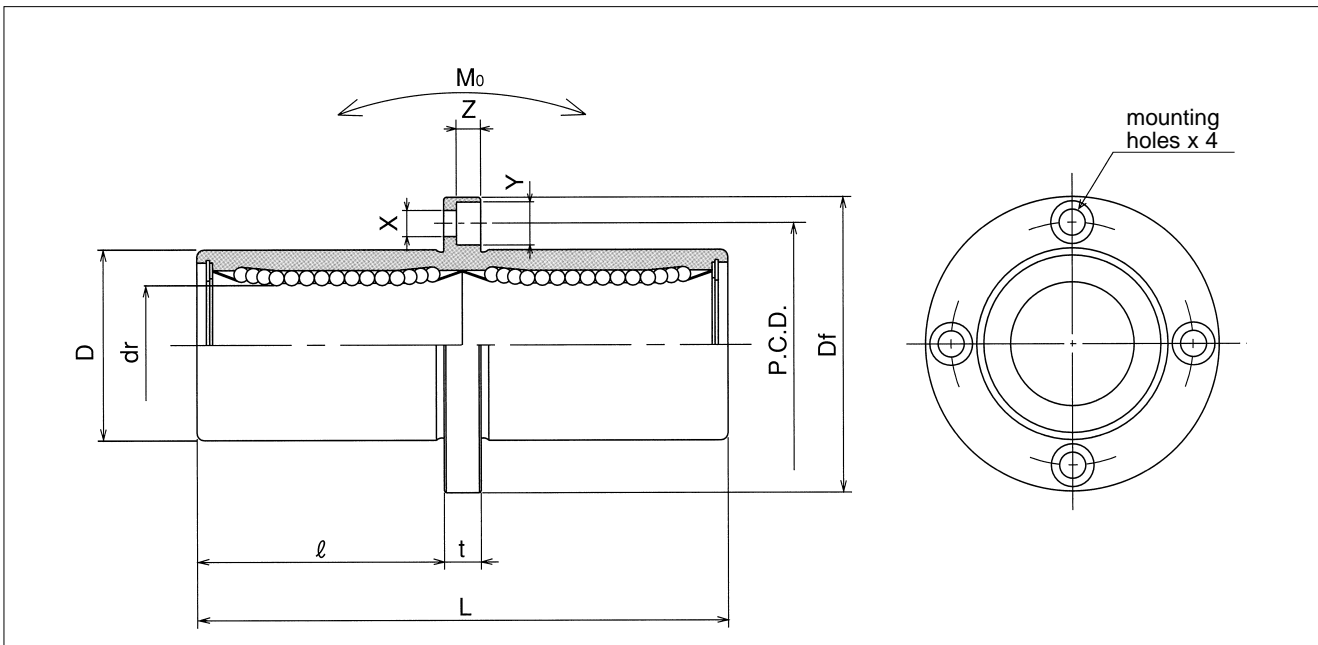
– Center Mount Round Flange Type –

This type is a metric dimension series generally used in Europe.



part number structure																			
example	KBSFC 25 G UU - SK																		
specification	<table border="1"> <tr> <td>KBFC</td> <td>standard</td> </tr> <tr> <td>KBSFC</td> <td>anticorrosion</td> </tr> </table>	KBFC	standard	KBSFC	anticorrosion														
KBFC	standard																		
KBSFC	anticorrosion																		
inner contact diameter																			
retainer material	<table border="1"> <tr> <td>blank</td> <td>steel</td> </tr> <tr> <td>G</td> <td>resin</td> </tr> </table>	blank	steel	G	resin														
blank	steel																		
G	resin																		
	<table border="1"> <tr> <td colspan="2">outer cylinder surface treatment</td> </tr> <tr> <td>blank</td> <td>no surface treatment</td> </tr> <tr> <td>SK</td> <td>electroless nickel plating</td> </tr> <tr> <td>RD</td> <td>Raydent treatment</td> </tr> <tr> <td>SB</td> <td>black oxide*</td> </tr> <tr> <td>SC</td> <td>industrial chrome plating</td> </tr> </table> <p>*not available in KBSFC type</p> <table border="1"> <tr> <td colspan="2">seal</td> </tr> <tr> <td>blank</td> <td>without seal</td> </tr> <tr> <td>UU</td> <td>seals on both sides</td> </tr> </table>	outer cylinder surface treatment		blank	no surface treatment	SK	electroless nickel plating	RD	Raydent treatment	SB	black oxide*	SC	industrial chrome plating	seal		blank	without seal	UU	seals on both sides
outer cylinder surface treatment																			
blank	no surface treatment																		
SK	electroless nickel plating																		
RD	Raydent treatment																		
SB	black oxide*																		
SC	industrial chrome plating																		
seal																			
blank	without seal																		
UU	seals on both sides																		

part number									
standard		anticorrosion		dr		D		L	
steel retainer	resin retainer	stainless retainer	resin retainer	mm	tolerance μm	mm	tolerance μm	±0.3 mm	ℓ mm
KBFC 8	KBFC 8G	KBSFC 8	KBSFC 8G	8	+ 9	16	0/-13	46	20.5
KBFC12	KBFC12G	KBSFC12	KBSFC12G	12	- 1	22	0	61	27.5
KBFC16	KBFC16G	KBSFC16	KBSFC16G	16	+11	26	-16	68	31
KBFC20	KBFC20G	KBSFC20	KBSFC20G	20	- 1	32	0	80	36
KBFC25	KBFC25G	KBSFC25	KBSFC25G	25	+13	40	-19	112	52
KBFC30	KBFC30G	KBSFC30	KBSFC30G	30	- 2	47		123	56.5
KBFC40	KBFC40G	KBSFC40	KBSFC40G	40	+16	62	0	151	69
KBFC50	KBFC50G	KBSFC50	KBSFC50G	50	- 4	75	-22	192	89.5
KBFC60	KBFC60G	KBSFC60	KBSFC60G	60		90	0/-25	209	95.5



major dimensions				eccentricity	perpendicularity	basic load rating		allowable static moment	mass	shaft diameter
flange						dynamic	static			
Df	t	P.C.D.	X×Y×Z	μm	μm	C	Co	Mo	g	mm
mm	mm	mm	mm			N	N	N·m		
32	5	24	3.5×6×3.1	15	15	421	804	4.3	59	8
42	6	32	4.5×7.5×4.1			813	1,570	11.7	110	12
46	6	36	4.5×7.5×4.1			921	1,780	14.2	160	16
54	8	43	5.5×9×5.1	17	17	1,370	2,740	25.0	260	20
62	8	51	5.5×9×5.1			1,570	3,140	44.0	540	25
76	10	62	6.6×11×6.1			2,500	5,490	78.9	815	30
98	13	80	9×14×8.1	20	20	3,430	8,040	147	1,805	40
112	13	94	9×14×8.1			6,080	15,900	396	2,820	50
134	18	112	11×17×11.1			7,550	20,000	487	4,920	60

1N≐0.102kgf 1N·m≐0.102kgf·m