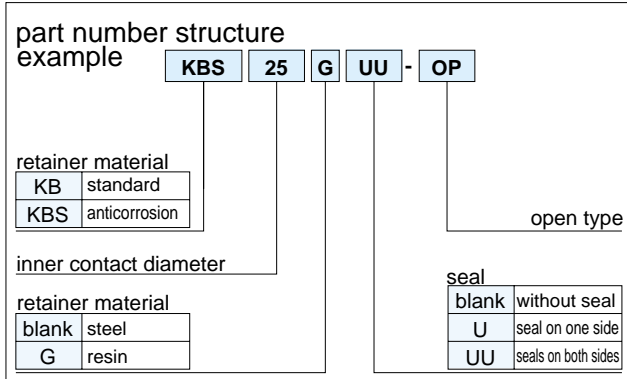
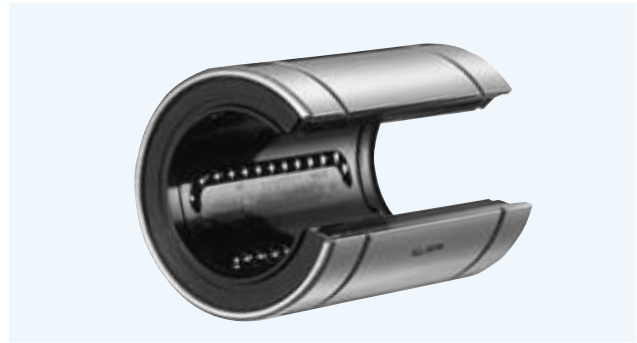


# KB-OP TYPE

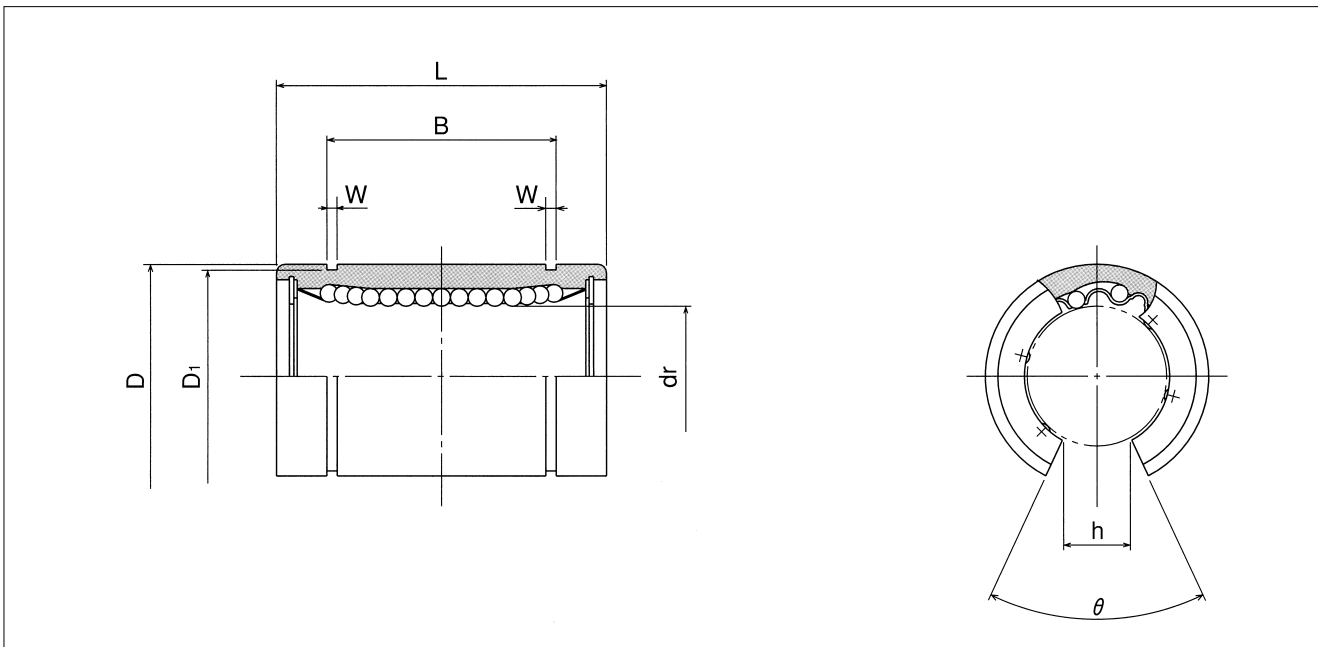
## – Open Type –

This type is a metric dimension series generally used in Europe.



part number				number of ball circuits				
standard		anticorrosion			dr		D	
steel retainer	resin retainer	stainless retainer	resin retainer		mm	tolerance* μm	mm	tolerance* μm
—	<b>KB10G-OP</b>	—	<b>KBS10G-OP</b>	3	10	+ 8	19	0
<b>KB12-OP</b>	<b>KB12G-OP</b>	<b>KBS12-OP</b>	<b>KBS12G-OP</b>	3	12	0	22	- 9
<b>KB16-OP</b>	<b>KB16G-OP</b>	<b>KBS16-OP</b>	<b>KBS16G-OP</b>	3	16	+ 9	26	0
<b>KB20-OP</b>	<b>KB20G-OP</b>	<b>KBS20-OP</b>	<b>KBS20G-OP</b>	4	20	- 1	32	- 11
<b>KB25-OP</b>	<b>KB25G-OP</b>	<b>KBS25-OP</b>	<b>KBS25G-OP</b>	5	25	+11	40	0
<b>KB30-OP</b>	<b>KB30G-OP</b>	<b>KBS30-OP</b>	<b>KBS30G-OP</b>	5	30	- 1	47	- 11
<b>KB40-OP</b>	<b>KB40G-OP</b>	<b>KBS40-OP</b>	<b>KBS40G-OP</b>	5	40	+13	62	0
<b>KB50-OP</b>	<b>KB50G-OP</b>	<b>KBS50-OP</b>	<b>KBS50G-OP</b>	5	50	- 2	75	- 13
<b>KB60-OP</b>	<b>KB60G-OP</b>	<b>KBS60-OP</b>	<b>KBS60G-OP</b>	5	60		90	0
<b>KB80-OP</b>	—	—	—	5	80	+16/-4	120	- 15

\* Accuracy is measured prior to machining open slot.



major dimensions								eccentricity $\mu\text{m}$	basic load rating		mass g	shaft diameter mm
mm	L	mm	B	mm	mm	mm	$\theta$		dynamic	static		
	tolerance mm		tolerance mm						C N	Co N		
29		22		1.3	18	6.8	80°	12	372	549	23	10
32	0	22.9	0	1.3	21	7.5	78°		510	784	35	12
36	-0.2	24.9	-0.2	1.3	24.9	10	78°		578	892	48	16
45		31.5		1.6	30.3	10	60°	15	862	1,370	84	20
58		44.1		1.85	37.5	12.5	60°		980	1,570	195	25
68	0	52.1	0	1.85	44.5	12.5	50°		1,570	2,740	309	30
80	-0.3	60.6	-0.3	2.15	59	16.8	50°	17	2,160	4,020	665	40
100		77.6		2.65	72	21	50°		3,820	7,940	1,080	50
125	0	101.7	0	3.15	86.5	27.2	54°	20	4,700	9,800	1,900	60
165	-0.4	133.7	-0.4	4.15	116	36.3	54°		7,350	16,000	4,380	80

1N  $\approx$  0.102kgf