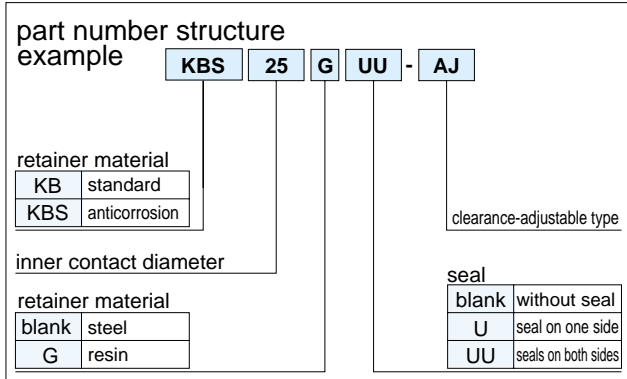


KB-AJ TYPE

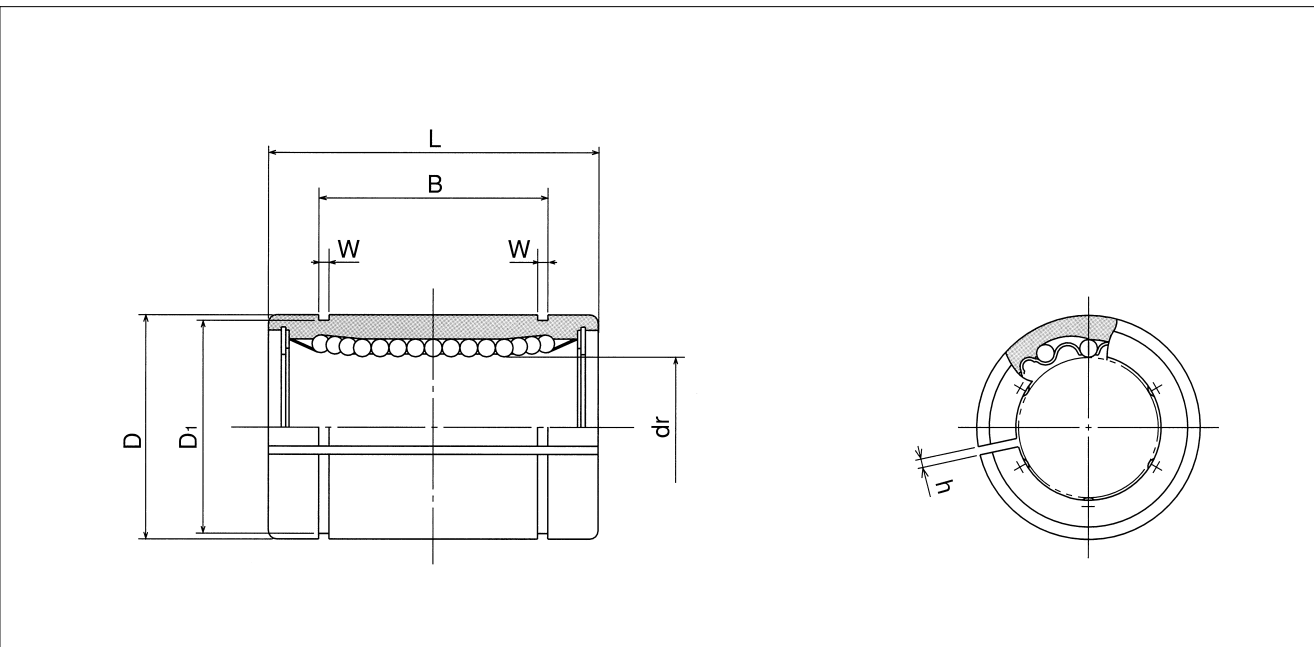
– Clearance Adjustable Type –

This type is a metric dimension series generally used in Europe.



part number				number of ball circuits	D			
standard		anticorrosion			dr	D		tolerance* μm
steel retainer	resin retainer	stainless retainer	resin retainer			mm	tolerance* μm	
—	KB 5G-AJ	—	KBS 5G-AJ	4	5	+ 8	12	0
—	KB 8G-AJ	—	KBS 8G-AJ	4	8		16	- 8
—	KB10G-AJ	—	KBS10G-AJ	4	10	0	19	0
KB12-AJ	KB12G-AJ	KBS12-AJ	KBS12G-AJ	4	12		22	- 9
KB16-AJ	KB16G-AJ	KBS16-AJ	KBS16G-AJ	4	16	+ 9	26	0
KB20-AJ	KB20G-AJ	KBS20-AJ	KBS20G-AJ	5	20	- 1	32	
KB25-AJ	KB25G-AJ	KBS25-AJ	KBS25G-AJ	6	25	+11	40	-11
KB30-AJ	KB30G-AJ	KBS30-AJ	KBS30G-AJ	6	30	- 1	47	
KB40-AJ	KB40G-AJ	KBS40-AJ	KBS40G-AJ	6	40	+13	62	0
KB50-AJ	KB50G-AJ	KBS50-AJ	KBS50G-AJ	6	50		- 2	75
KB60-AJ	KB60G-AJ	KBS60-AJ	KBS60G-AJ	6	60	+16/-4	90	0
KB80-AJ	—	—	—	6	80		120	-15

* Accuracy is measured prior to machining clearance slot.



major dimensions							eccentricity*	basic load rating		mass g	shaft diameter mm
mm	L	mm	B	mm	D ₁	h		dynamic	static		
	tolerance mm		tolerance mm					C	C ₀		
22		14.5		1.1	11.5	1	12	206	265	10	5
25		16.5		1.1	15.2	1		265	402	19.5	8
29	0	22	0	1.3	18	1		372	549	29	10
32	-0.2	22.9	-0.2	1.3	21	1.5		510	784	44	12
36		24.9		1.3	24.9	1.5		578	892	59	16
45		31.5		1.6	30.3	2	15	862	1,370	100	20
58		44.1		1.85	37.5	2		980	1,570	230	25
68	0	52.1	0	1.85	44.5	2	17	1,570	2,740	355	30
80	-0.3	60.6	-0.3	2.15	59	3		2,160	4,020	758	40
100		77.6		2.65	72	3		3,820	7,940	1,230	50
125	0	101.7	0	3.15	86.5	3	20	4,700	9,800	2,170	60
165	-0.4	133.7	-0.4	4.15	116	3		7,350	16,000	5,000	80

1N ≙ 0.102kgf