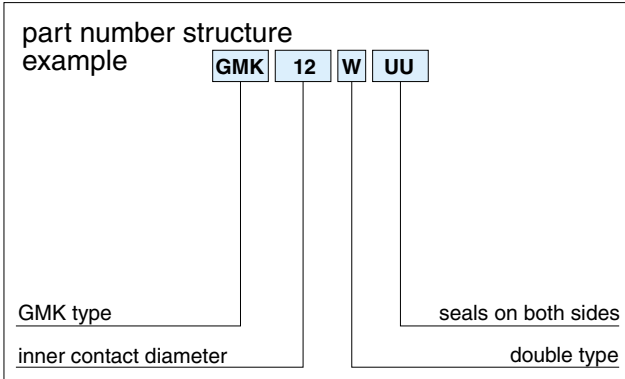
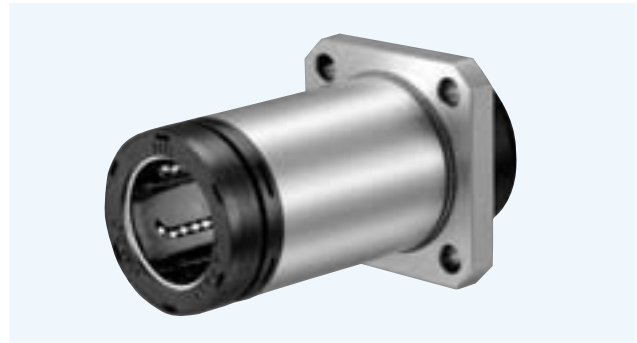
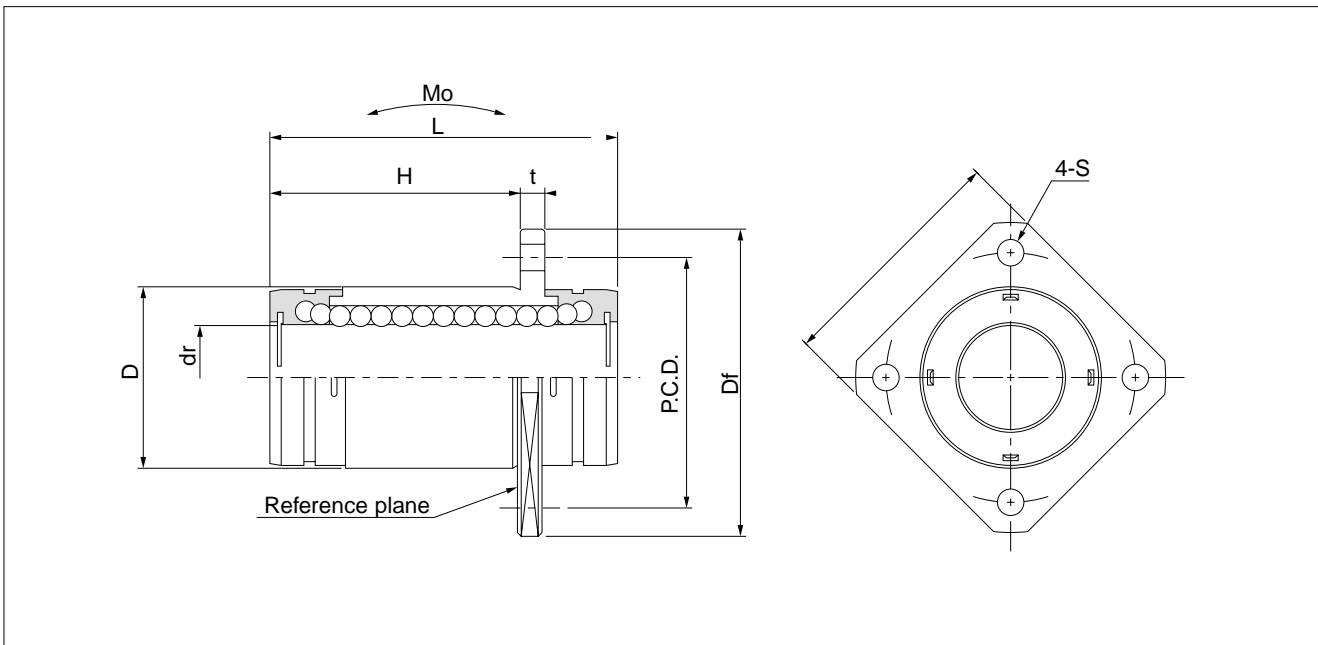


GMK-W TYPE

— Square Flange Double-Wide Type —



part number	number of ball circuits	major dimensions					
		dr		D		L	H
		mm	tolerance μm	mm	tolerance μm		
GMK 6W UU	4	6	0 -10	12	0	28	17.8
GMK 8W UU	4	8		15	-13	36	25.1
GMK10W UU	4	10		19	0 -16	41	28.2
GMK12W UU	4	12		21		46	34.2
GMK13W UU	4	13		23		48	34.7
GMK16W UU	4	16		28		53	38.3
GMK20W UU	6	20	0 -12	32	0 -19	65	49.2
GMK25W UU	6	25		40		91	70.5
GMK30W UU	6	30		45		99	74.3



					perpen- dicularity	basic load rating		allowable static moment Mo	mass	shaft diameter
flange						dynamic C	static Co			
Df	t	P.C.D	K	S	μm			N	N	N · m
28	4	20	22	3.5	15	323	530	1.5	20	6
32	4	24	25	3.5		431	784	3.3	32	8
40	4	29	30	4.5		588	1,100	5.0	50	10
42	4	32	32	4.5		813	1,570	7.6	63	12
43	4	33	34	4.5		813	1,570	8.1	72	13
48	4	38	37	4.5		1,230	2,350	13.8	99	16
54	5	43	42	5.5	20	1,400	2,740	20.0	165	20
62	5	51	50	5.5		1,560	3,140	34.8	325	25
74	8	60	58	6.6		2,490	5,490	57.5	437	30

1N ≙ 0.102kgf 1N·m ≙ .102kgf·m