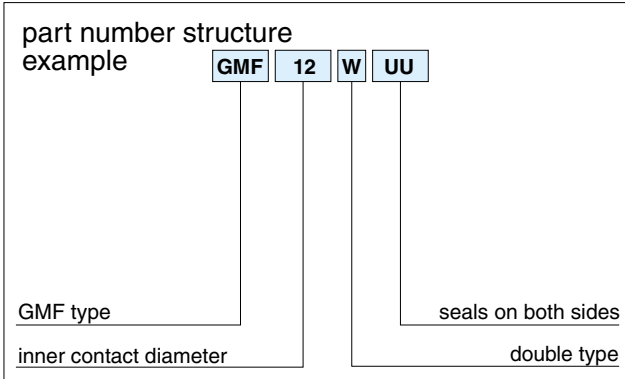
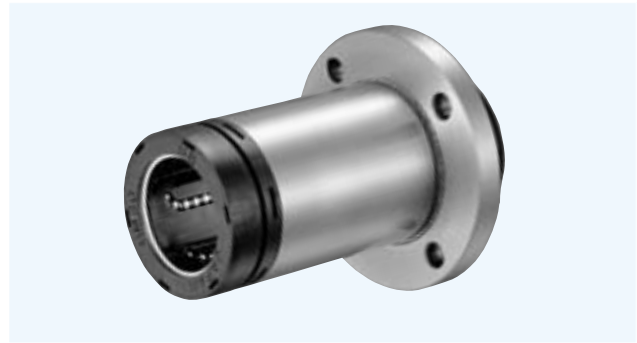
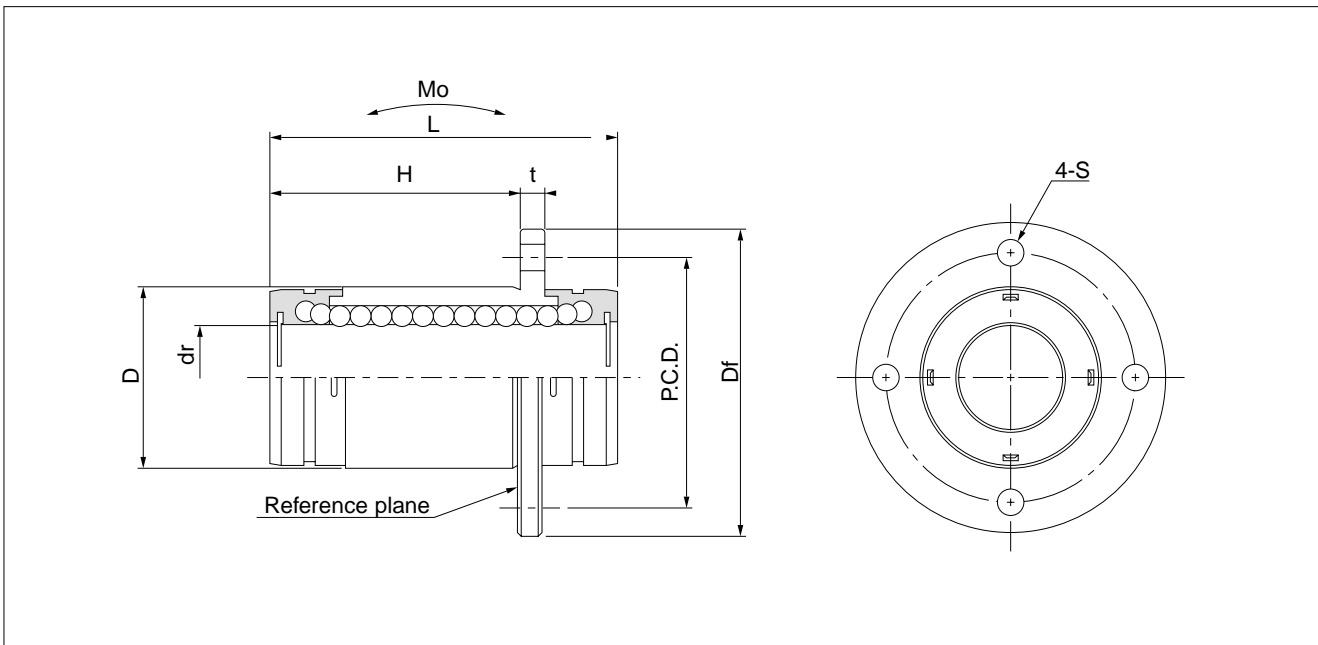


# GMF-W TYPE

— Round Flange Double-Wide Type —



part number	number of ball circuits	major dimensions					
		dr		D		L	H
		mm	tolerance $\mu\text{m}$	mm	tolerance $\mu\text{m}$		
GMF 6W UU	4	6	0 -10	12	0	28	17.8
GMF 8W UU	4	8		15	-13	36	25.1
GMF10W UU	4	10		19	0 -16	41	28.2
GMF12W UU	4	12		21		46	34.2
GMF13W UU	4	13		23		48	34.7
GMF16W UU	4	16	28	53	38.3		
GMF20W UU	6	20	0 -12	32	0 -19	65	49.2
GMF25W UU	6	25		40		91	70.5
GMF30W UU	6	30		45		99	74.3



				perpen- dicularity	basic load rating		allowable static moment Mo	mass	shaft diameter
Df	t	P.C.D	S		dynamic C	static Co			
mm	mm	mm	mm	$\mu\text{m}$	N	N	$\text{N} \cdot \text{m}$	g	mm
28	4	20	3.5	15	323	530	1.5	25	6
32	4	24	3.5		431	784	3.3	38	8
40	4	29	4.5		588	1,100	5.0	62	10
42	4	32	4.5		813	1,570	7.6	75	12
43	4	33	4.5		813	1,570	8.1	83	13
48	4	38	4.5		1,230	2,350	13.8	115	16
54	5	43	5.5	20	1,400	2,740	20.0	188	20
62	5	51	5.5		1,560	3,140	34.8	350	25
74	8	60	6.6		2,490	5,490	57.5	502	30

1N $\approx$ 0.102kgf 1N $\cdot$ m $\approx$ .102kgf $\cdot$ m