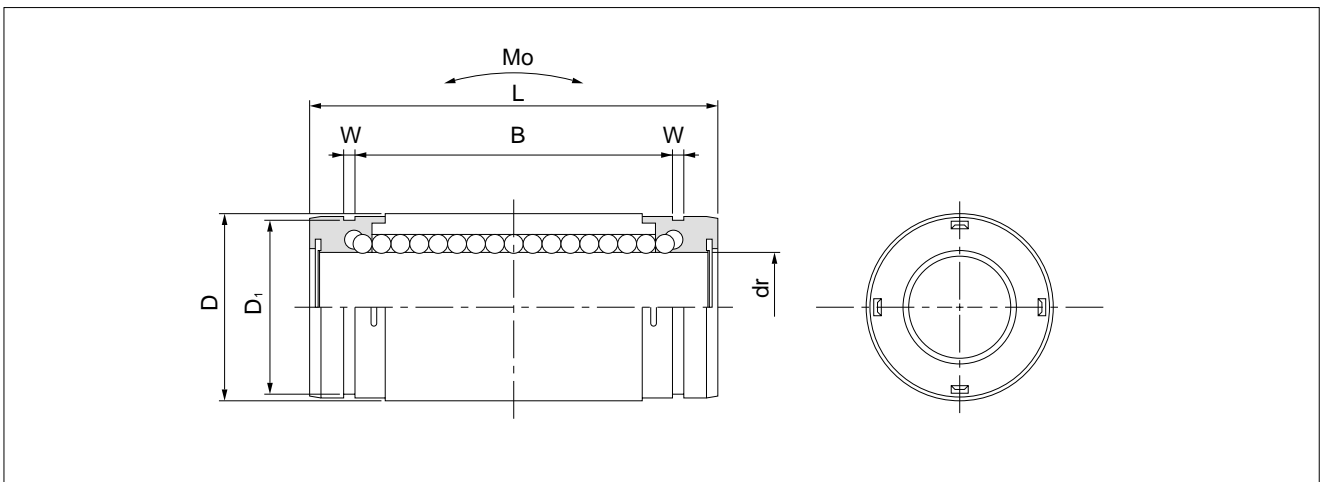
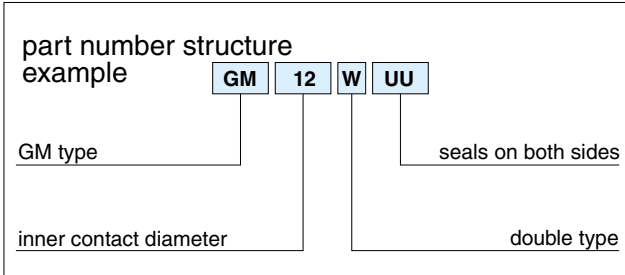
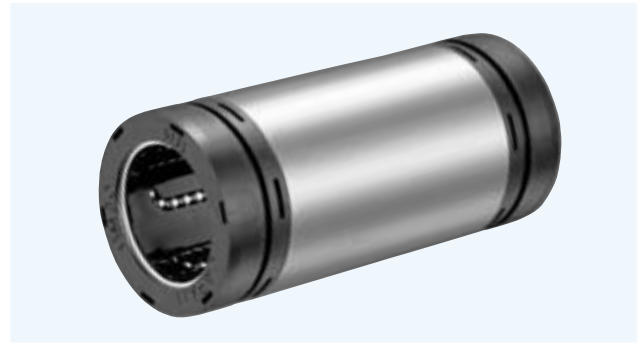


GM-W TYPE

— Double-Wide Type —



part number	number of ball circuits	major dimensions								basic load rating		allowable static moment Mo N·m	mass g
		dr		D		L	B	W	D ₁	dynamic C N	static C ₀ N		
		mm	tolerance μm	mm	tolerance μm								
GM 6W UU	4	6	0	12	0	28	20.3	1.1	11.5	323	530	1.5	9
GM 8W UU	4	8	-10	15	-13	36	27.3	1.1	14.3	431	784	3.3	18
GM10W UU	4	10		19	0	41	31.4	1.3	18	588	1,100	5.0	31
GM12W UU	4	12		21	0	46	36.4	1.3	20	813	1,570	7.6	42
GM13W UU	4	13	-12	23	-16	48	36.4	1.3	22	813	1,570	8.1	50
GM16W UU	4	16		28	0	53	39.3	1.6	27	1,230	2,350	13.8	76
GM20W UU	6	20		32	0	65	50.3	1.6	30.5	1,400	2,740	20.0	130
GM25W UU	6	25	-12	40	-19	91	69.3	1.85	38	1,560	3,140	34.8	280
GM30W UU	6	30		45	-19	99	75.8	1.85	43	2,490	5,490	57.5	334

1N≒0.102kgf 1N·m≒.102kgf·m