



7DF/7EF/7RF Dimensions

(Unit : mm)

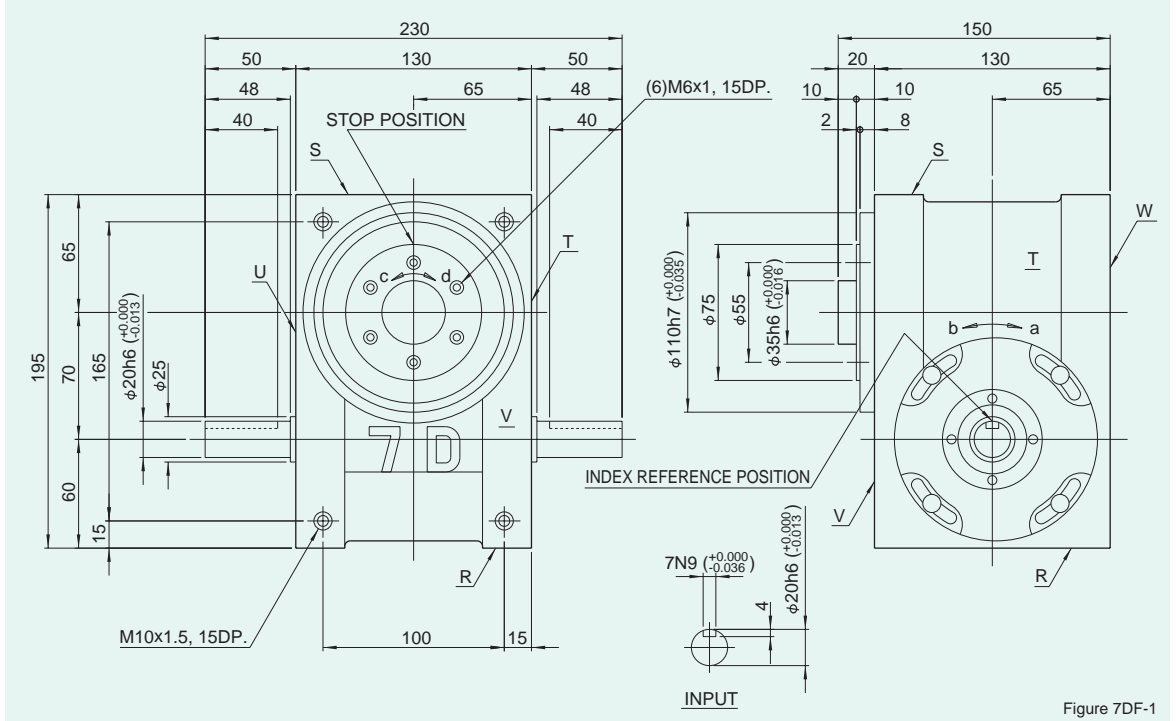
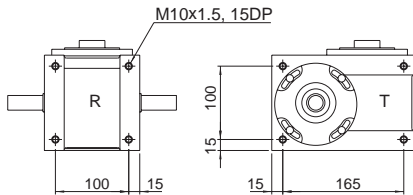


Figure 7DF-1

Mounting hole locations

Figure 7DF-2



Dimension of R, S, T, and U surface

Locations of oil plug, etc., and oil capacity

Figure 7DF-3

Mounting position	1	2	3	4	5	6
Location						
Oil capacity (ℓ)	0.6	0.6	0.55	0.55	0.4	0.4

Precautions

- Each point indicated in the mounting positions shown in Figure 7DF-3 represents (starting at top) the oil plug (PT3/8), oil level (VA-01), and drain (PT1/4).
- The mounting positions correspond to code i for the indexing, oscillating, and roller drives.
- The oil levels indicated in Figure 7DF-3 are given in general figures and will differ according to the profile of the cam and the number of cam followers.

Specifications

Table 7DF-1

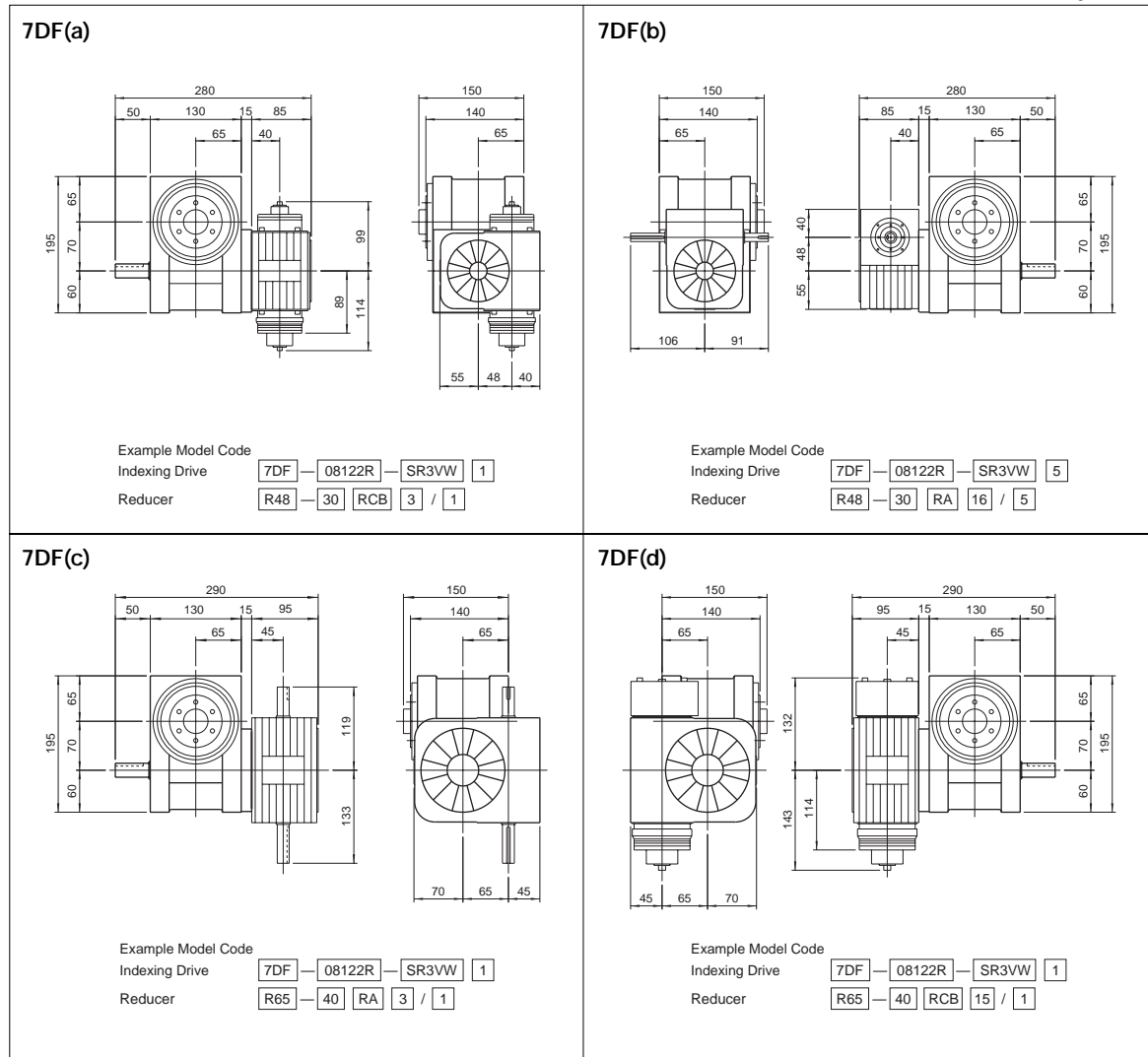
Item	Symbol	Unit	Value	Item	Symbol	Unit	Value	Item	Symbol	Unit	Value
Output allowable axial load	P ₁	N	2156	Input allowable axial load	P ₄	N	1470	Indexing accuracy (1 DWELL)		sec	±30
Output allowable radial load	P ₂	N	2940	Input maximum repetitive bending force	P ₅	N	1078	Indexing accuracy (2 DWELL)		sec	±60
Output static torque	T _s	N·m	Refer to Torque Capacity Table	Input maximum repetitive allowable torque	P ₆	N·m	93.1	Indexing accuracy (3 DWELL)		sec	±90
Output torsional rigidity	K ₁	N·m/rad	6.66×10 ⁴	Input torsional rigidity	K ₂	N·m/rad	8.43×10 ³	Indexing accuracy (4 DWELL)		sec	±120
Output inertia	J _o	kg·m ²	1.7×10 ⁻³	Input inertia	J ₁	kg·m ²	1.5×10 ⁻³	Repetitive accuracy		sec	15
Output allowable bending moment	P ₃	N·m	78.4					Product weight		kg	18
								Housing color			Gray

Note : Input inertia : J is calculated in dwell.

(1N=0.102kgf)

Mounted accessories

Figure 7DF-3

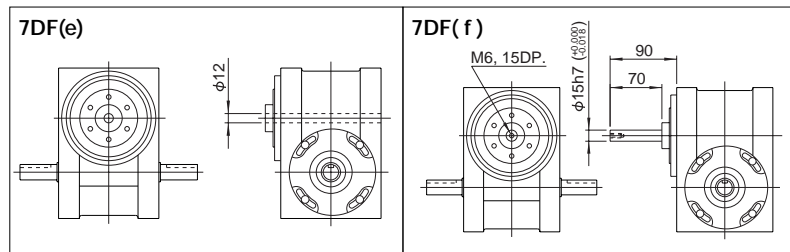


Precautions

- Models 7DF, 7EF, and 7RF can be equipped with reducers R48 and R65.
- The reducer can be mounted in 16 different positions as shown on page of Reducer.
- Reducers require a collar for mounting.

Hollow-shaft model

Fixed-shaft model



Precautions

- Hollow-shaft and Fixed-shaft models are treated as custom designs. For shapes, dimensions, and various specifications, contact Sankyo.