



65DF Dimensions

(Unit : mm)

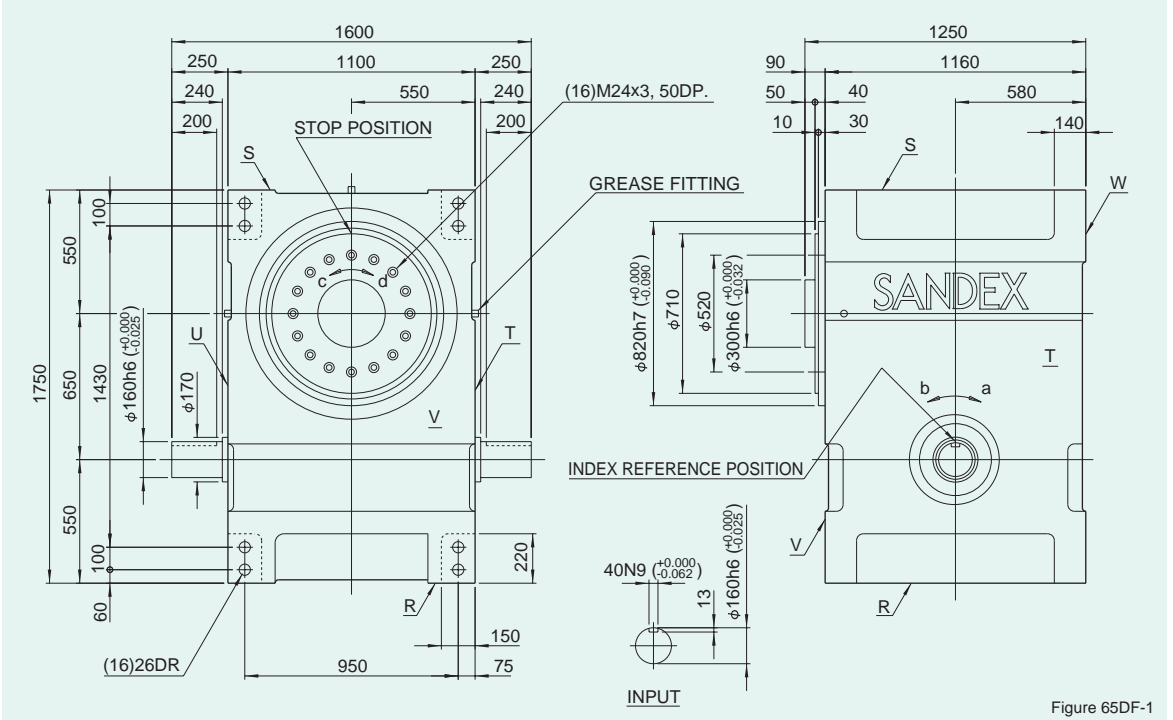


Figure 65DF-1

Locations of oil plug, etc., and oil capacity

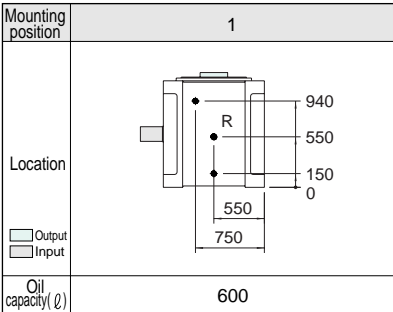
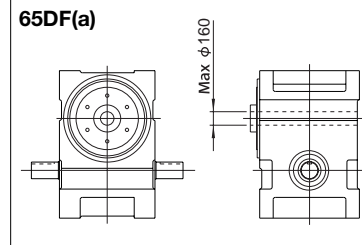


Figure 65DF-2

Precautions

- Each point indicated in the mounting positions shown in Figure 65DF-2 represents (starting at top) the oil plug (PT2), oil level (VD), and drain (PT2).
- The mounting positions correspond to code i for the indexing, oscillating, and roller drives.
- The oil levels indicated in Figure 65DF-2 are given in general figures and will differ according to the profile of the cam and the number of cam followers.

Hollow-shaft model



Fixed-shaft model

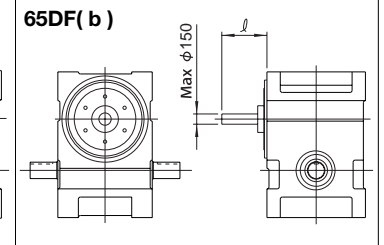


Figure 65DF-3

Precautions

- Hollow-shaft and Fixed-shaft models are treated as custom designs. For shapes, dimensions, and various specifications, contact Sankyo.

Specifications

Table 65DF-1

Item	Symbol	Unit	Value	Item	Symbol	Unit	Value	Item	Symbol	Unit	Value
Output allowable axial load	P ₁	N	68600	Input allowable axial load	P ₄	N	45080	Indexing accuracy (1 DWELL)		sec	±20
Output allowable radial load	P ₂	N	93100	Input maximum repetitive bending force	P ₅	N	76440	Indexing accuracy (2 DWELL)		sec	±40
Output static torque	T _s	N·m	Refer to Torque Capacity Table	Input maximum repetitive allowable torque	P ₆	N·m	47040	Indexing accuracy (3 DWELL)		sec	±60
Output torsional rigidity	K ₁	N·m /rad	1.37x10 ⁸	Input torsional rigidity	K ₂	N·m /rad	7.35x10 ⁶	Indexing accuracy (4 DWELL)		sec	±80
Output inertia	J _o	kg·m ²	51.5	Input inertia	J ₁	kg·m ²	87.5	Repetitive accuracy		sec	10
Output allowable bending moment	P ₃	N·m	10780					Product weight		kg	8000
								Housing color		Gray	

Note : Input inertia : J is calculated in dwell.

(1N=0.102kgf)