

## 55DTR Dimensions

(Unit : mm)

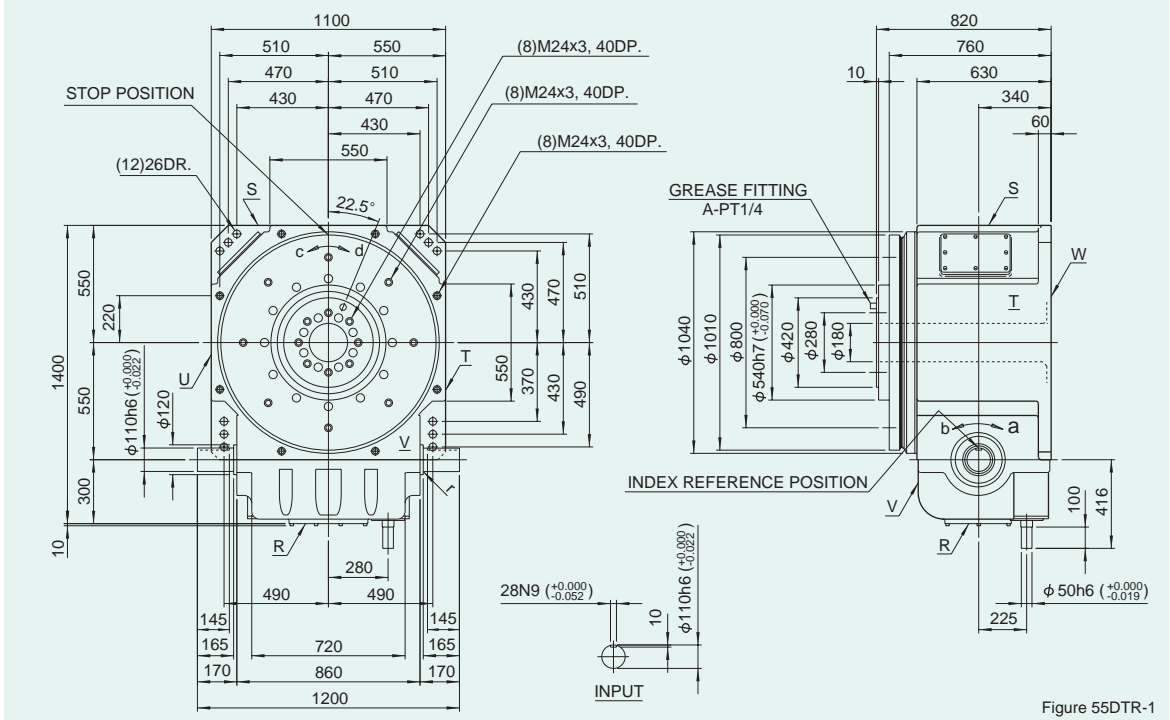


Figure 55DTR-1

## Locations of oil plug, etc., and oil capacity

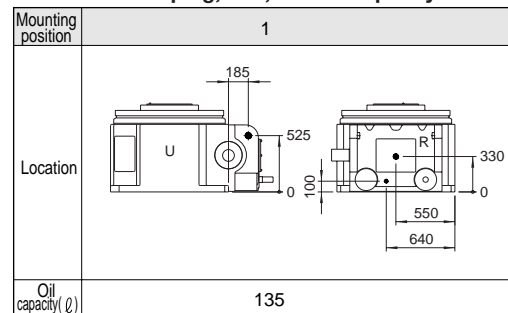


Figure 55DTR-2

## Precautions

- Each point indicated in the mounting positions shown in Figure 55DTR-2 represents (starting at top) the oil plug (PT2), oil level (VC), and drain (PT1).
- The mounting positions correspond to code i for the indexing, oscillating, and roller drives.
- The oil levels indicated in Figure 55DTR-2 are given in general figures and will differ according to the profile of the cam and the number of cam followers.

## Specifications

Table 55DTR-1

Item	Symbol	Unit	Value	Item	Symbol	Unit	Value	Item	Symbol	Unit	Value
Output allowable axial load	P <sub>1</sub>	N	92120	Input allowable axial load	P <sub>4</sub>	N	34300	Indexing accuracy (1 DWELL)		sec	±20
Output allowable radial load	P <sub>2</sub>	N	48020	Input maximum repetitious bending force	P <sub>5</sub>	N	49000	Indexing accuracy (2 DWELL)		sec	±40
Output static torque	T <sub>s</sub>	N·m	Refer to Torque Capacity Table	Input maximum repetitious allowable torque	P <sub>6</sub>	N·m	13720	Indexing accuracy (3 DWELL)		sec	±60
Output torsional rigidity	K <sub>1</sub>	N·m/rad	4.41x10 <sup>7</sup>	Input torsional rigidity	K <sub>2</sub>	N·m/rad	1.47x10 <sup>6</sup>	Indexing accuracy (4 DWELL)		sec	±80
Output inertia	J <sub>o</sub>	kg·m <sup>2</sup>	11.8.8	Input inertia	J <sub>1</sub>	kg·m <sup>2</sup>	8.13	Repetitive accuracy		sec	20
Output allowable bending moment	P <sub>3</sub>	N·m	4900					Product weight		kg	4000
								Housing color		Gray	

Note : Input inertia : J is calculated in dwell.

(1N=0.102kgf)