



40DF Dimensions

(Unit : mm)

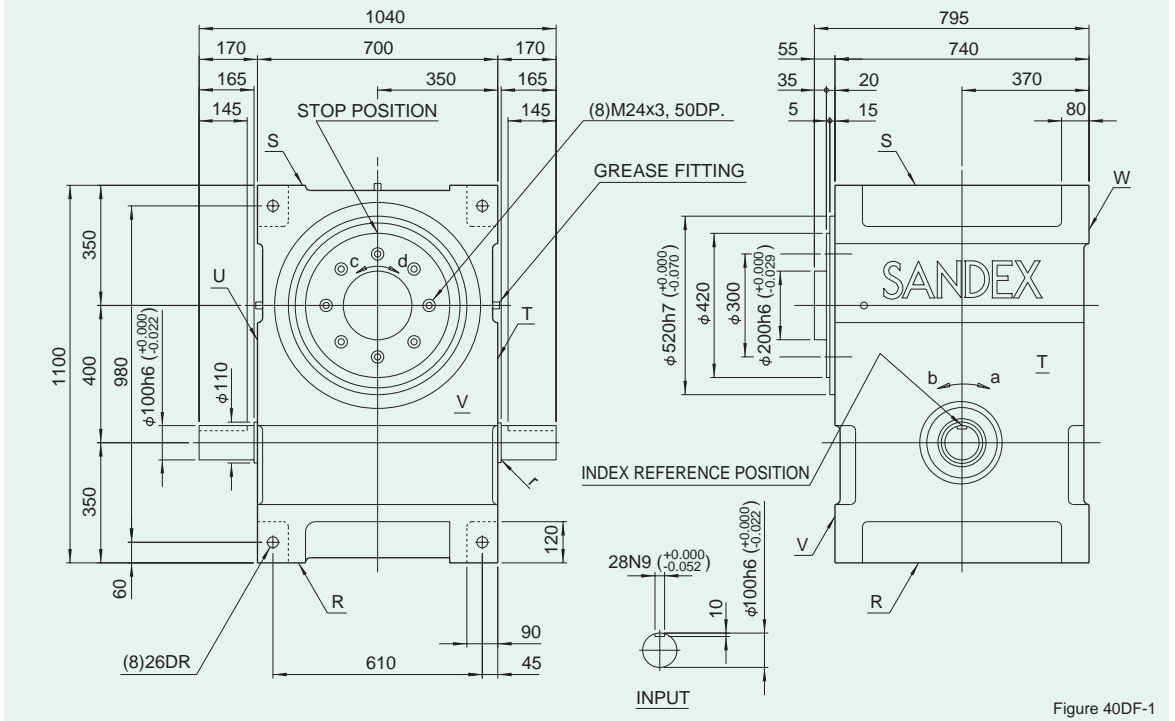
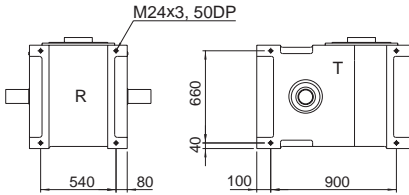


Figure 40DF-1

Mounting hole locations

Figure 40DF-2



Dimension of R, S, T, and U surface

Locations of oil plug, etc., and oil capacity

Figure 40DF-3

Mounting position	1	2	3	4	5	6
Location						
Oil capacity (ℓ)	115	105	100	100	75	103

Precautions

- Each point indicated in the mounting positions shown in Figure 40DF-3 represents (starting at top) the oil plug (PT1), oil level (VD), and drain (PT1).
- The mounting positions correspond to code i for the indexing, oscillating, and roller drives.
- The oil levels indicated in Figure 40DF-3 are given in general figures and will differ according to the profile of the cam and the number of cam followers.

Specifications

Table 40DF-1

Item	Symbol	Unit	Value	Item	Symbol	Unit	Value	Item	Symbol	Unit	Value
Output allowable axial load	P ₁	N	47040	Input allowable axial load	P ₄	N	21560	Indexing accuracy (1 DWELL)		sec	±20
Output allowable radial load	P ₂	N	58800	Input maximum repetitious bending force	P ₅	N	48020	Indexing accuracy (2 DWELL)		sec	±40
Output static torque	T _s	N·m	Refer to Torque Capacity Table	Input maximum repetitious allowable torque	P ₆	N·m	14700	Indexing accuracy (3 DWELL)		sec	±60
Output torsional rigidity	K ₁	N·m/rad	1.57x10 ⁷	Input torsional rigidity	K ₂	N·m/rad	1.08x10 ⁶	Indexing accuracy (4 DWELL)		sec	±80
Output inertia	J _o	kg·m ²	9.68	Input inertia	J ₁	kg·m ²	8.75	Repetitive accuracy		sec	20
Output allowable bending moment	P ₃	N·m	4998					Product weight		kg	2200
								Housing color		Gray	

Note : Input inertia : J is calculated indwell

(1N=0.102kgf)