

25DT/25RT Dimensions

(Unit : mm)

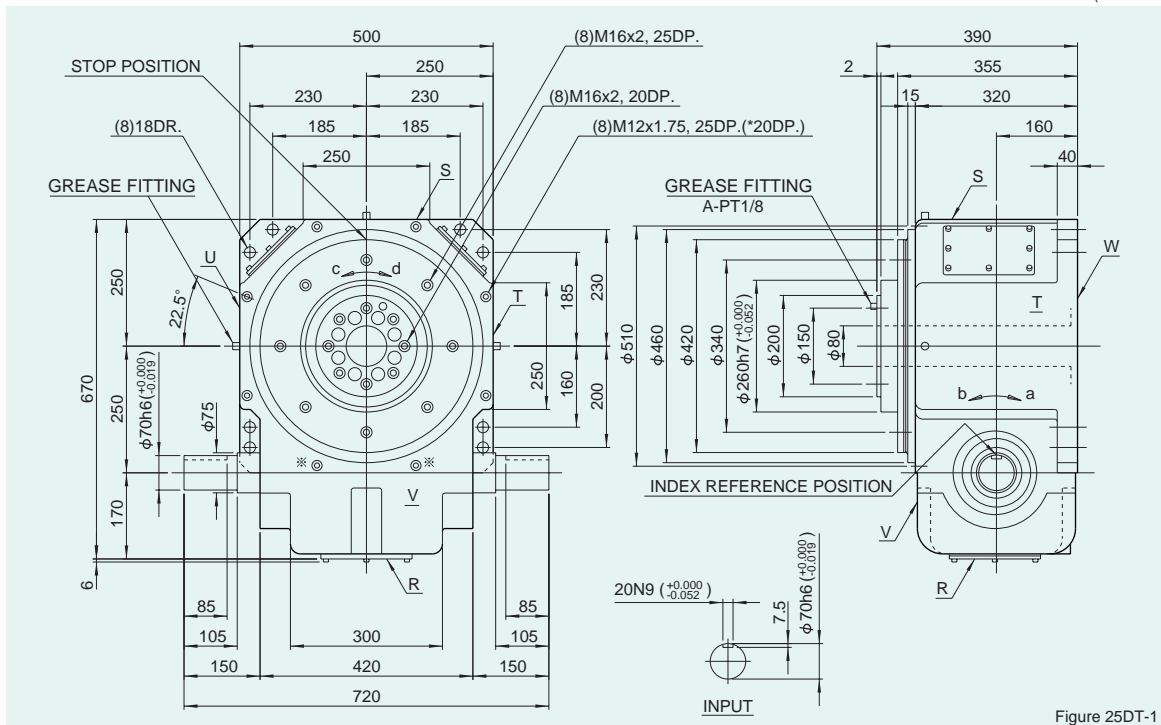


Figure 25DT-1

Locations of oil plug, etc., and oil capacity

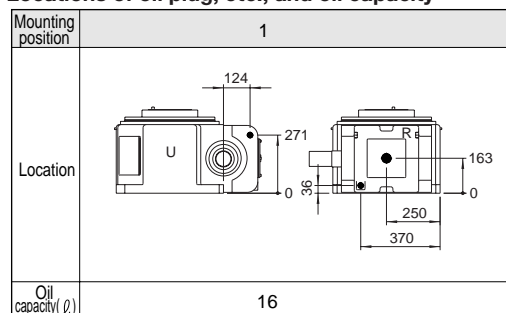


Figure 25DT-2

Precautions

- Each point indicated in the mounting positions shown in Figure 25DT-2 represents (starting at top) the oil plug (PT3/4), oil level (VB), and drain (PT3/4).
- The mounting positions correspond to code i for the indexing, oscillating, and roller drives.
- The oil levels indicated in Figure 25DT-2 are given in general figures and will differ according to the profile of the cam and the number of cam followers.

Specifications

Table 25DT-1

Item	Symbol	Unit	Value	Item	Symbol	Unit	Value	Item	Symbol	Unit	Value
Output allowable axial load	P ₁	N	24500	Input allowable axial load	P ₄	N	18620	Indexing accuracy (1 DWELL)		sec	±30
Output allowable radial load	P ₂	N	17640	Input maximum repetitious bending force	P ₅	N	22050	Indexing accuracy (2 DWELL)		sec	±60
Output static torque	T _s	N·m	Refer to Torque Capacity Table	Input maximum repetitious allowable torque	P ₆	N·m	6566	Indexing accuracy (3 DWELL)		sec	±90
Output torsional rigidity	K ₁	N·m/rad	4.9×10 ⁶	Input torsional rigidity	K ₂	N·m/rad	4.02×10 ⁵	Indexing accuracy (4 DWELL)		sec	±120
Output inertia	J _o	kg·m ²	1.95	Input inertia	J ₁	kg·m ²	0.215	Repetitive accuracy		sec	30
Output allowable bending moment	P ₃	N·m	980					Product weight		kg	450
								Housing color		Gray	

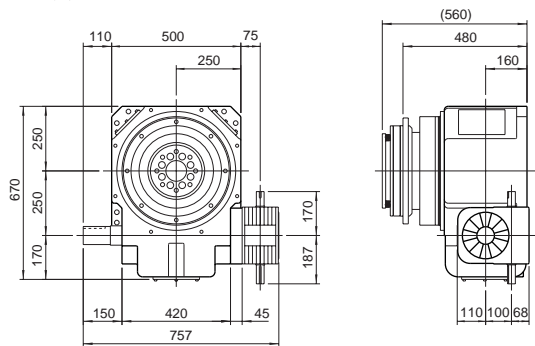
Note : Input inertia : J is calculated in dwell.

(1N=0.102kgf)

Mounted accessories

Figure 25DT-3

25DT(a)



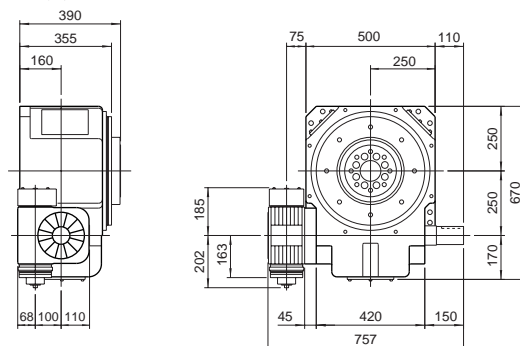
Example Model Code

Indexing Drive 25DT - 12272R - LR3VW 1

Reducer R100 - 50 RA 3 / 1

Torque Limiter 25 To - 70 L

25DT(b)

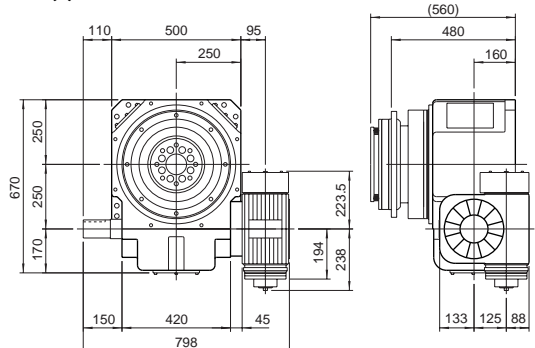


Example Model Code

Indexing Drive 25DT - 12272R - SR3VW 1

Reducer R100 - 50 RCB 15 / 1

25DT(c)



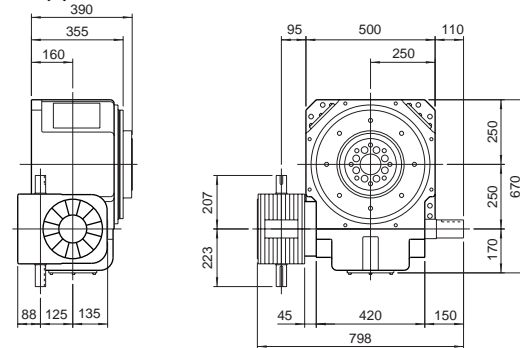
Example Model Code

Indexing Drive 25DT - 12272R - LR3VW 1

Reducer R125 - 40 RCB 3 / 1

Torque Limiter 25 To - 70 L

25DT(d)



Example Model Code

Indexing Drive 25DT - 12272R - SR3VW 1

Reducer R125 - 50 RA 15 / 1

Precautions

- Models 25DT and 25RT can be equipped with reducers R100 and R125.
- The reducer can be mounted in 16 different positions as shown on page of Reducer.
- Models 25DT and 25RT can be equipped with torque limiters 25To.
- Reducers require a collar for mounting.