



18D/18R

SANDEX

18D/18R Dimensions

(Unit : mm)

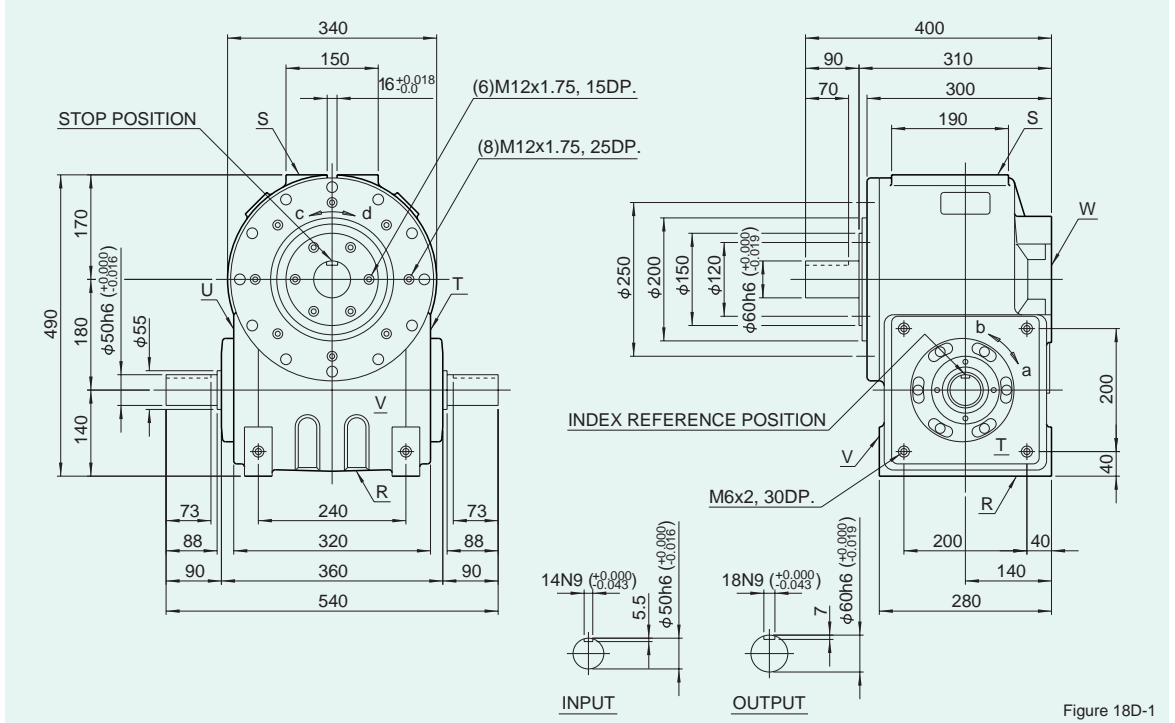
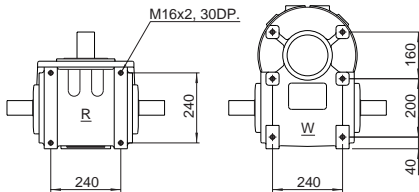


Figure 18D-1

Mounting hole locations

Figure 18D-2



Dimension of R and W surface

Locations of oil plug, etc., and oil capacity

Figure 18D-3

Mounting position	1	5
Location		
Oil capacity (ℓ)	8.7	5.0

Precautions

- Each point indicated in the mounting positions shown in Figure 18D-3 represents (Starting at top) the oil plug(PT3/4), oil level (VB), and drain (PT3/4).
- The mounting positions correspond to code i for the indexing, oscillating, and roller drives.
- The oil capacities indicated in Figure 18D-3 are given in general figures and will differ according to the profile of the cam and the number of cam followers.

Specifications

Table 18D-1

Item	Symbol	Unit	Value	Item	Symbol	Unit	Value	Item	Symbol	Unit	Value
Output allowable axial load	P ₁	N	11760	Input allowable axial load	P ₄	N	5782	Indexing accuracy (1 DWELL)		sec	±30
Output allowable radial load	P ₂	N	14700	Input maximum repetitious bending force	P ₅	N	10241	Indexing accuracy (2 DWELL)		sec	±60
Output static torque	T _s	N·m	Refer to Torque Capacity Table	Input maximum repetitious allowable torque	P ₆	N·m	1441	Indexing accuracy (3 DWELL)		sec	±90
Output torsional rigidity	K ₁	N·m/rad	4.9×10 ⁵	Input torsional rigidity	K ₂	N·m/rad	1.37×10 ⁵	Indexing accuracy (4 DWELL)		sec	±120
Output inertia	J _o	kg·m ²	0.195	Input inertia	J ₁	kg·m ²	9.75×10 ⁻²	Repetitive accuracy		sec	15
Output allowable bending moment	P ₃	N·m	931					Product weight		kg	220
								Housing color		Gray	

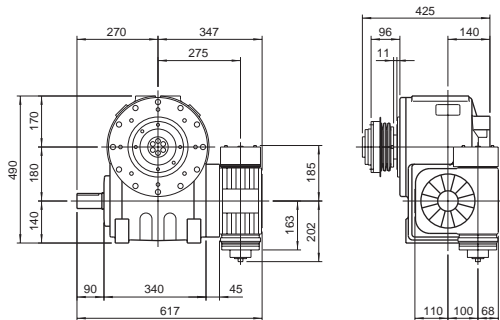
Note : Input inertia : J is calculated in dwell.

(1N=0.102kgf)

Mounted accessories

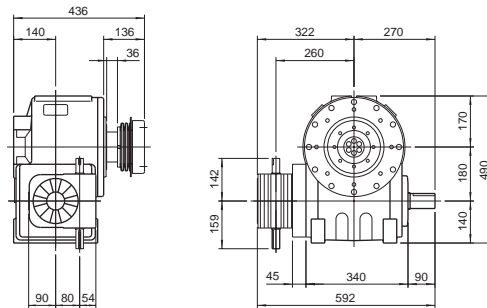
Figure 18D-4

18D(a)



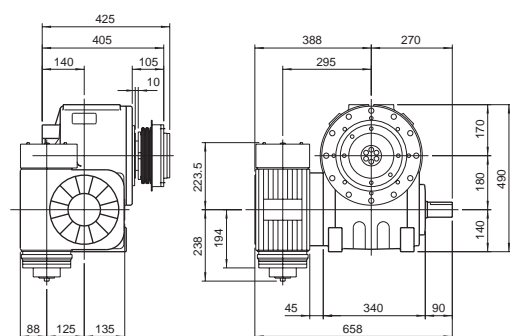
Example Model Code
 Indexing Drive 18D — 12272R — LR3VW 1
 Reducer R100 — 40 RCB 3 / 1
 Torque Limiter 11 TF — 120 B

18D(b)



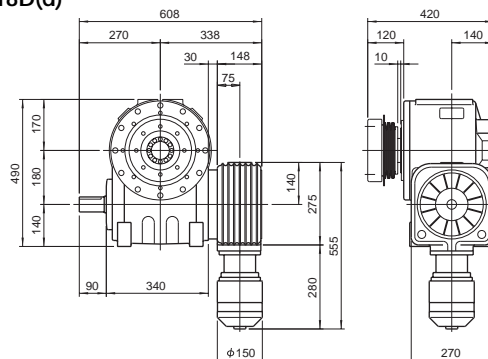
Example Model Code
 Indexing Drive 18D — 12272R — LR3VW 1
 Reducer R80 — 40 RA 9 / 1
 Torque Limiter 11 TC — 100 B

18D(c)



Example Model Code
 Indexing Drive 18D — 12272R — LR3VW 1
 Reducer R125 — 40 RA 15 / 1
 Torque Limiter 14 TF — 180 B

18D(d)



Example Model Code
 Indexing Drive 18D — 12272R — LB3VW 1
 Cambalancer B16 — 0199 4 / 1
 Torque Limiter 14 TC — 200 B

Precautions

- Models 18D and 18R can be equipped with reducers R80, R100 and R125.
- The reducer can be mounted in 16 different positions as shown on page of Reducer.
- Models 18D and 18R can be equipped with torque limiters 11TF, 14TF, 18TF, 11TC, 14TC and 18TC.
- Torque limiter TF-types require a collar for mounting.
- Torque limiter TC-types require a collar for mounting.
- Reducers require a collar for mounting.