



11D/11E/11R

SANDEX

11D/11E/11R Dimensions

(Unit : mm)

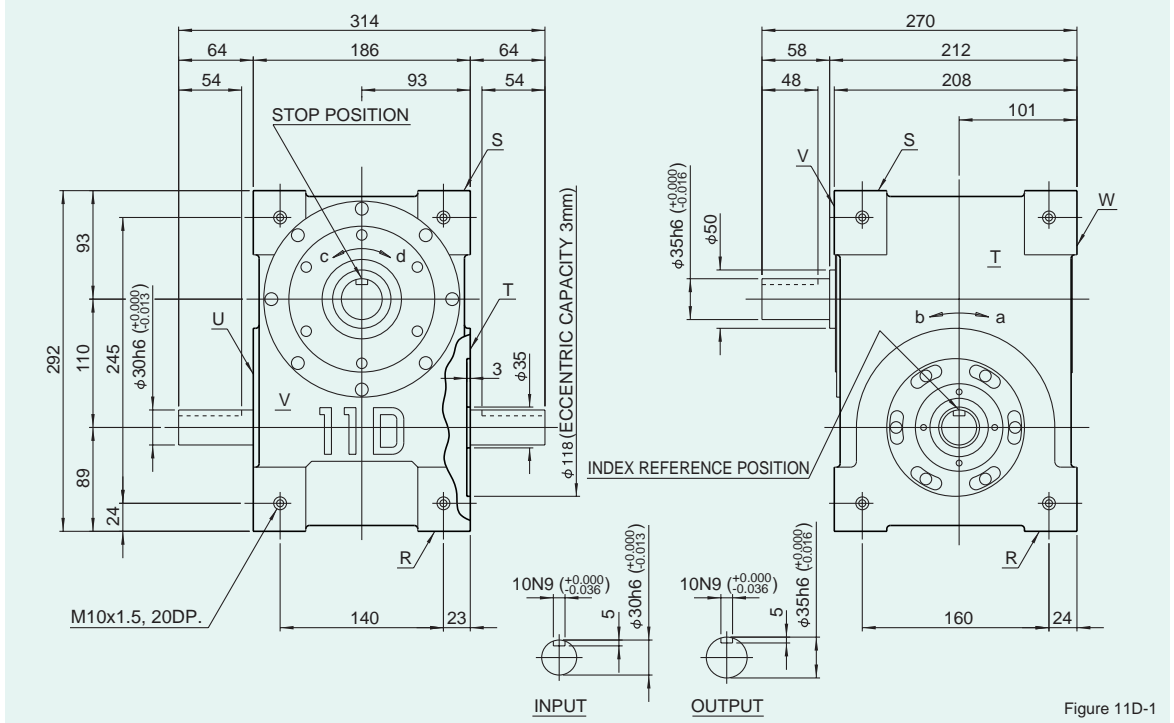
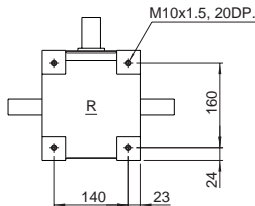


Figure 11D-1

Mounting hole locations

Figure 11D-2



Dimension of R and S surface

Locations of oil plug, etc., and oil capacity

Figure 11D-3

Mounting position	1	2	3	4	5	6
Location						
Oil capacity (ℓ)	2.0	1.4	0.9	0.9	1.2	1.3

Precautions

- Each point indicated in the mounting positions shown in Figure 11D-3 represents (starting at top) the oil plug (PT1/2), oil level (VA), and drain (PT1/2).
- The mounting positions correspond to code i for the indexing, oscillating, and roller drives.
- The oil levels indicated in Figure 11D-3 are given in general figures and will differ according to the profile of the cam and the number of cam followers.

Specifications

Table 11D-1

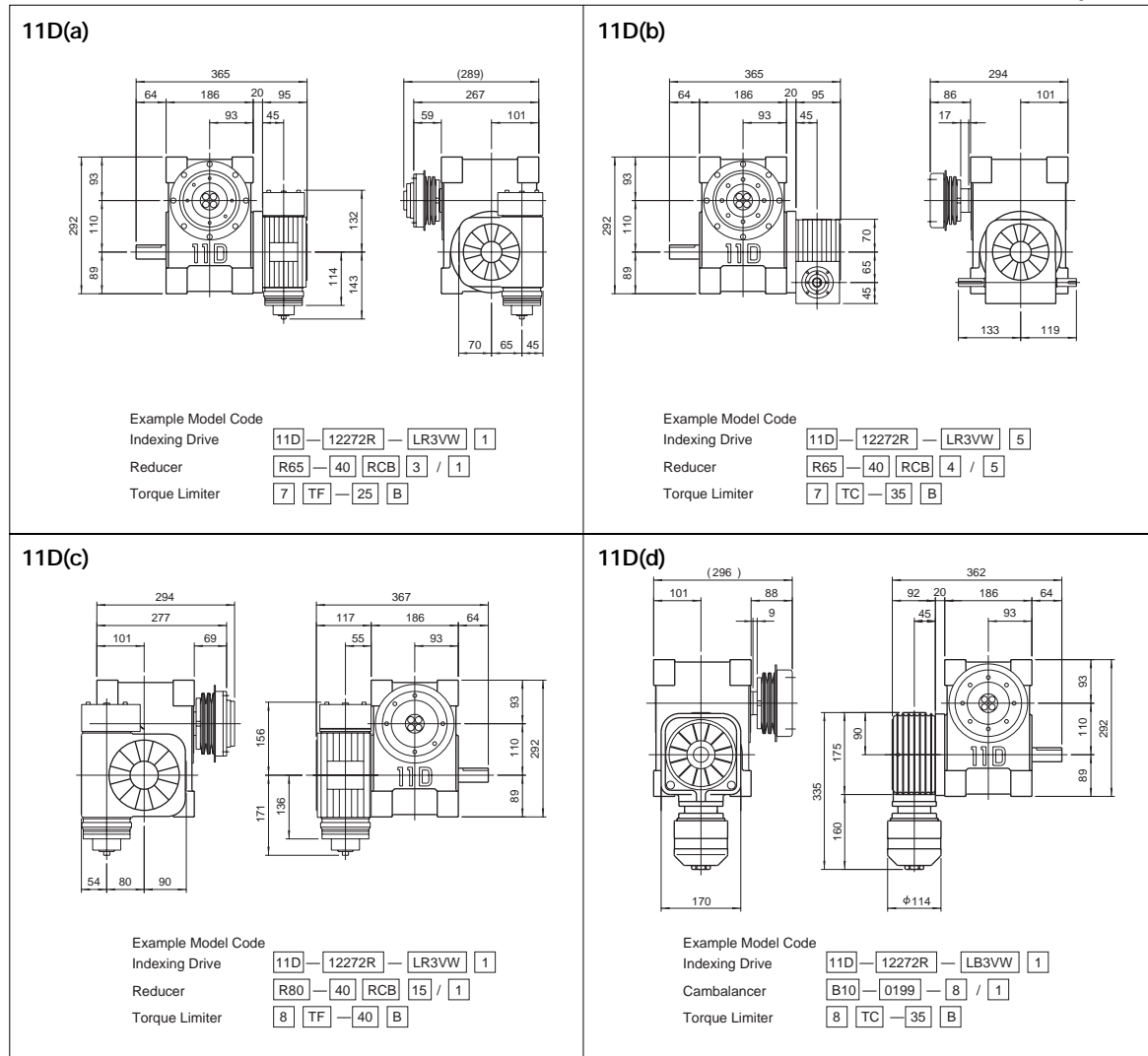
Item	Symbol	Unit	Value	Item	Symbol	Unit	Value	Item	Symbol	Unit	Value
Output allowable axial load	P ₁	N	4900	Input allowable axial load	P ₄	N	3528	Indexing accuracy (1 DWELL)		sec	±30
Output allowable radial load	P ₂	N	5390	Input maximum repetitive bending force	P ₅	N	2842	Indexing accuracy (2 DWELL)		sec	±60
Output static torque	T _s	N·m	Refer to Torque Capacity Table	Input maximum repetitive allowable torque	P ₆	N·m	313.6	Indexing accuracy (3 DWELL)		sec	±90
Output torsional rigidity	K ₁	N·m/rad	8.82×10 ⁴	Input torsional rigidity	K ₂	N·m/rad	3.04×10 ⁴	Indexing accuracy (4 DWELL)		sec	±120
Output inertia	J _o	kg·m ²	9.05×10 ⁻⁴	Input inertia	J ₁	kg·m ²	7.0×10 ⁻³	Repetitive accuracy		sec	15
Output allowable bending moment	P ₃	N·m	166.6					Product weight		kg	51
								Housing color		Gray	

Note : Input inertia : J is calculated in dwell.

(1N=0.102kgf)

Mounted accessories

Figure 11D-4



Precautions

- Models 11D, 11E, and 11R can be equipped with reducers R65 and R80.
- The reducer can be mounted in 16 different positions as shown on page of Reducer.
- Models 11D, 11E, and 11R can be equipped with torque limiters 7TF, 8TF, 11TF, 7TC, 8TC and 11TC.
- Torque limiter TC-types require a collar for mounting.
- Reducer R65 requires a collar for mounting.