



11DF/11EF/11RF

SANDEX

11DF/11EF/11RF Dimensions

(Unit : mm)

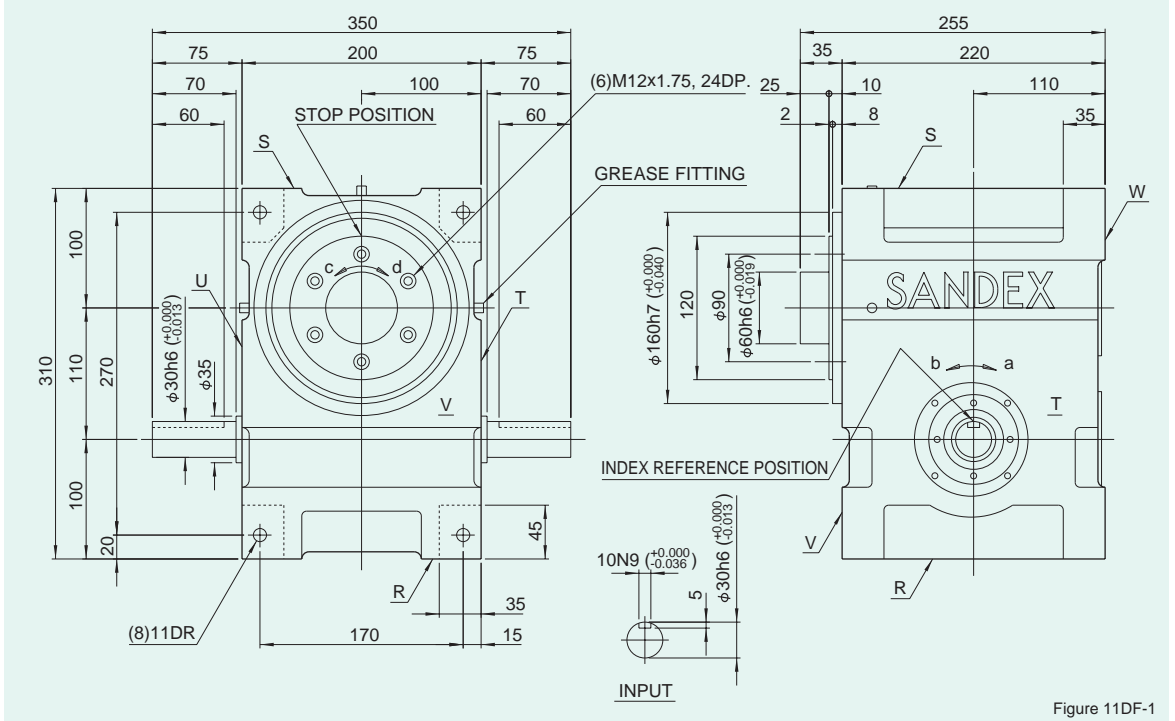
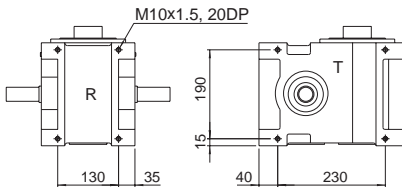


Figure 11DF-1

Mounting hole locations

Figure 11DF-2



Dimension of R, S, T, and U surface

Locations of oil plug, etc., and oil capacity

Figure 11DF-3

Mounting position	1	2	3	4	5	6
Location						
Oil capacity (ℓ)	3.0	2.6	3.5	3.5	1.8	3.8

Precautions

- Each point indicated in the mounting positions shown in Figure 11DF-3 represents (starting at top) the oil plug (PT1/2), oil level (VA-01), and drain (PT1/2).
- The mounting positions correspond to code i for the indexing, oscillating, and roller drives.
- The oil levels indicated in Figure 11DF-3 are given in general figures and will differ according to the profile of the cam and the number of cam followers.

Specifications

Table 11DF-1

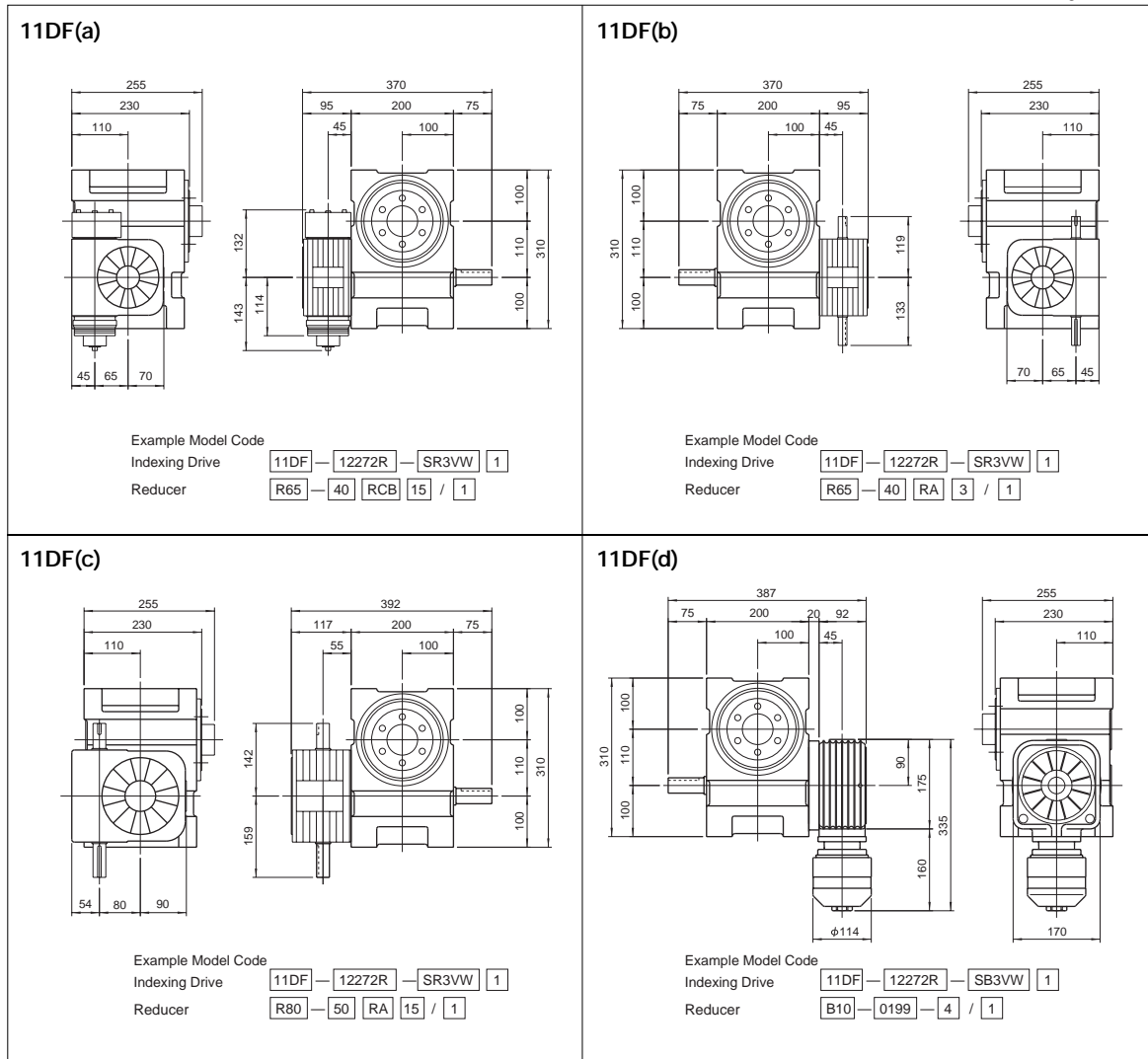
Item	Symbol	Unit	Value	Item	Symbol	Unit	Value	Item	Symbol	Unit	Value
Output allowable axial load	P ₁	N	5488	Input allowable axial load	P ₄	N	4704	Indexing accuracy (1 DWELL)		sec	±30
Output allowable radial load	P ₂	N	6860	Input maximum repetitive bending force	P ₅	N	4067	Indexing accuracy (2 DWELL)		sec	±60
Output static torque	T _s	N·m	Refer to Torque Capacity Table	Input maximum repetitive allowable torque	P ₆	N·m	392	Indexing accuracy (3 DWELL)		sec	±90
Output torsional rigidity	K ₁	N·m/rad	3.53x10 ⁵	Input torsional rigidity	K ₂	N·m/rad	2.74x10 ⁴	Indexing accuracy (4 DWELL)		sec	±120
Output inertia	J _o	kg·m ²	2.18x10 ⁻²	Input inertia	J ₁	kg·m ²	7.0x10 ⁻³	Repetitive accuracy		sec	15
Output allowable bending moment	P ₃	N·m	294					Product weight		kg	60
								Housing color		Gray	

Note : Input inertia : J is calculated in dwell.

(1N=0.102kgf)

Mounted accessories

Figure 11DF-3

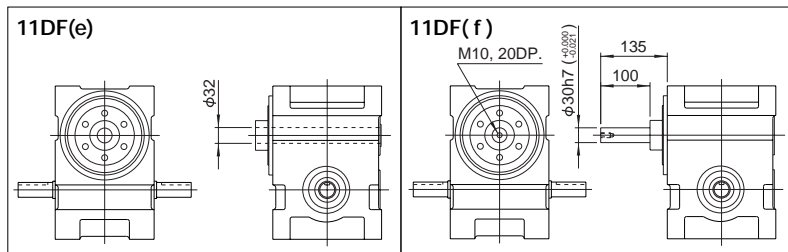


Precautions

- Models 11DF, 11EF, and 11RF can be equipped with reducers R65 and R80.
- The reducer can be mounted in 16 different positions as shown on page of Reducer.

Hollow-shaft model

Fixed-shaft model



Precautions

- Hollow-shaft and Fixed-shaft models are treated as custom designs. For shapes, dimensions, and various specifications, contact Sankyo.