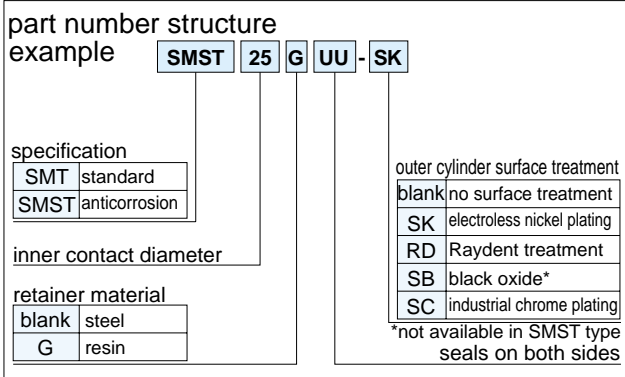


# SMT TYPE

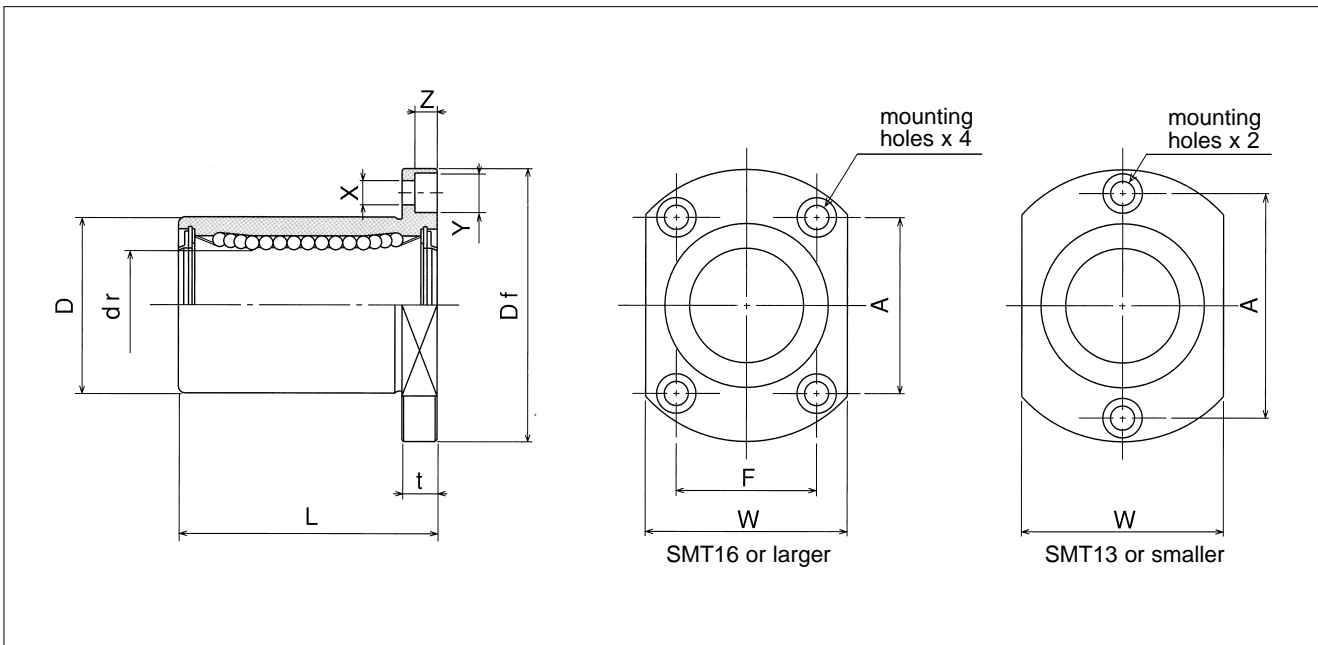
## – Two Side Cut Flange Type –

This type is a metric dimension series widely used in Japan and other countries.



| part number*   |                 |                    |                  | dr |                 | D  |                 | L          |
|----------------|-----------------|--------------------|------------------|----|-----------------|----|-----------------|------------|
| standard       |                 | anticorrosion      |                  | mm | tolerance<br>μm | mm | tolerance<br>μm | ±0.3<br>mm |
| steel retainer | resin retainer  | stainless retainer | resin retainer   |    |                 |    |                 |            |
| <b>SMT 6UU</b> | <b>SMT 6GUU</b> | <b>SMST 6UU</b>    | <b>SMST 6GUU</b> | 6  | 0<br>- 9        | 12 | 0               | 19         |
| <b>SMT 8UU</b> | <b>SMT 8GUU</b> | <b>SMST 8UU</b>    | <b>SMST 8GUU</b> | 8  |                 | 15 | -13             | 24         |
| <b>SMT10UU</b> | <b>SMT10GUU</b> | <b>SMST10UU</b>    | <b>SMST10GUU</b> | 10 |                 | 19 | 0               | 29         |
| <b>SMT12UU</b> | <b>SMT12GUU</b> | <b>SMST12UU</b>    | <b>SMST12GUU</b> | 12 |                 | 21 | 0               | 30         |
| <b>SMT13UU</b> | <b>SMT13GUU</b> | <b>SMST13UU</b>    | <b>SMST13GUU</b> | 13 |                 | 23 | -16             | 32         |
| <b>SMT16UU</b> | <b>SMT16GUU</b> | <b>SMST16UU</b>    | <b>SMST16GUU</b> | 16 |                 | 28 | -16             | 37         |
| <b>SMT20UU</b> | <b>SMT20GUU</b> | <b>SMST20UU</b>    | <b>SMST20GUU</b> | 20 | 0<br>-10        | 32 | 0               | 42         |
| <b>SMT25UU</b> | <b>SMT25GUU</b> | <b>SMST25UU</b>    | <b>SMST25GUU</b> | 25 |                 | 40 | 0               | 59         |
| <b>SMT30UU</b> | <b>SMT30GUU</b> | <b>SMST30UU</b>    | <b>SMST30GUU</b> | 30 |                 | 45 | -19             | 64         |

\* UU type is standard feature.



| major dimensions |         |         |         |         |             | eccentricity<br>$\mu\text{m}$ | perpen-<br>dicularity<br>$\mu\text{m}$ | basic load rating |                   | mass<br>g | shaft<br>diameter<br>mm |
|------------------|---------|---------|---------|---------|-------------|-------------------------------|--|-------------------|-------------------|-----------|-------------------------|
| flange           |         |         |         |         |             |                               |  | dynamic<br>C<br>N | static<br>Co<br>N |           |                         |
| Df<br>mm         | W<br>mm | t<br>mm | A<br>mm | F<br>mm | X×Y×Z<br>mm |                               |  |                   |                   |           |                         |
| 28               | 18      | 5       | 20      | —       | 3.5×6×3.1   | 12                            | 12                                     | 206               | 265               | 21        | 6                       |
| 32               | 21      | 5       | 24      | —       | 3.5×6×3.1   |                               |  | 274               | 392               | 33        | 8                       |
| 40               | 25      | 6       | 29      | —       | 4.5×7.5×4.1 |                               |  | 372               | 549               | 64        | 10                      |
| 42               | 27      | 6       | 32      | —       | 4.5×7.5×4.1 |                               |  | 510               | 784               | 68        | 12                      |
| 43               | 29      | 6       | 33      | —       | 4.5×7.5×4.1 |                               |  | 510               | 784               | 81        | 13                      |
| 48               | 34      | 6       | 31      | 22      | 4.5×7.5×4.1 |                               |  | 774               | 1,180             | 112       | 16                      |
| 54               | 38      | 8       | 36      | 24      | 5.5×9×5.1   | 15                            | 15                                     | 882               | 1,370             | 167       | 20                      |
| 62               | 46      | 8       | 40      | 32      | 5.5×9×5.1   |                               |  | 980               | 1,570             | 325       | 25                      |
| 74               | 51      | 10      | 49      | 35      | 6.6×11×6.1  |                               |  | 1,570             | 2,740             | 388       | 30                      |

1N≐0.102kgf