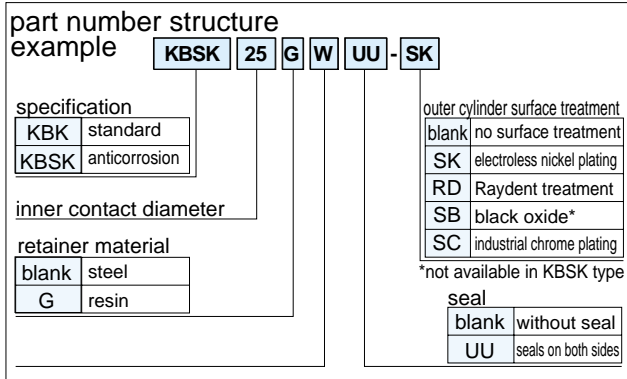


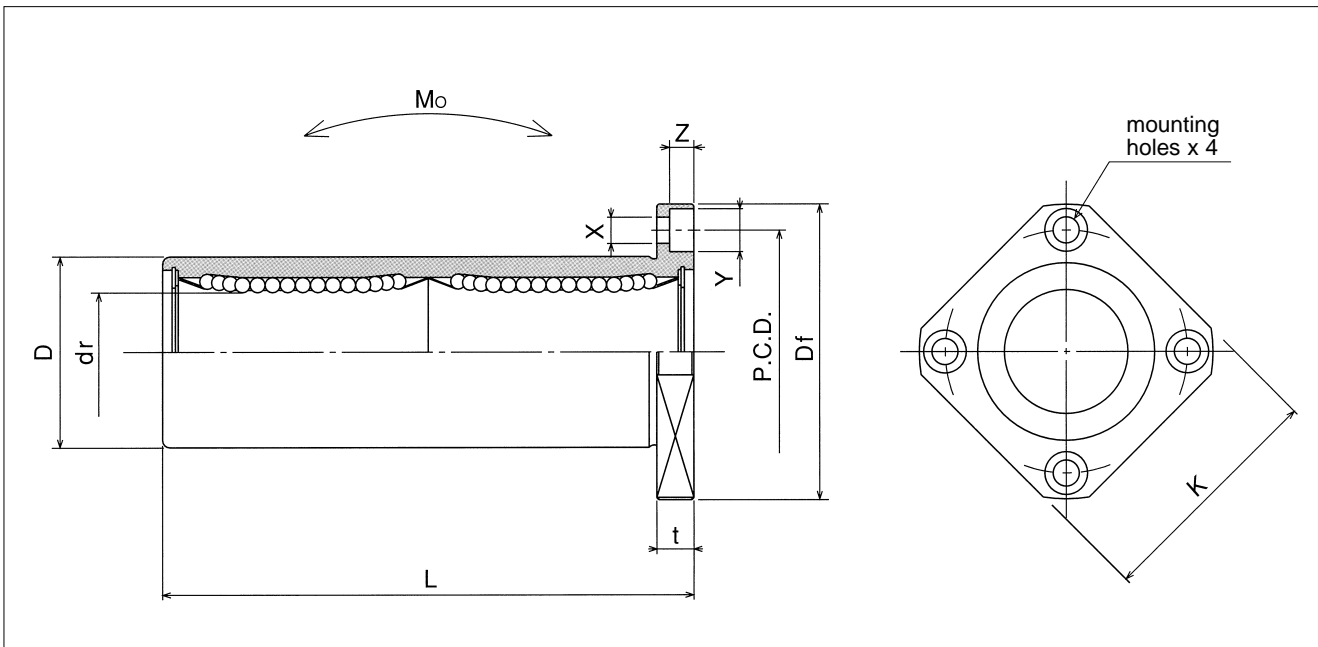
KBK-W TYPE

— Square Flange Double-Wide Type —

This type is a metric dimension series generally used in Europe.



part number									
standard		anticorrosion		dr		D		L	Df
steel retainer	resin retainer	stainless retainer	resin retainer	mm	tolerance μm	mm	tolerance μm	±0.3 mm	mm
KBK 8W	KBK 8GW	KBSK 8W	KBSK 8GW	8	+ 9	16	0/-13	46	32
KBK12W	KBK12GW	KBSK12W	KBSK12GW	12	- 1	22	0	61	42
KBK16W	KBK16GW	KBSK16W	KBSK16GW	16	+11	26	-16	68	46
KBK20W	KBK20GW	KBSK20W	KBSK20GW	20	- 1	32	0	80	54
KBK25W	KBK25GW	KBSK25W	KBSK25GW	25	+13	40	-19	112	62
KBK30W	KBK30GW	KBSK30W	KBSK30GW	30	- 2	47	0	123	76
KBK40W	KBK40GW	KBSK40W	KBSK40GW	40	+16	62	0	151	98
KBK50W	KBK50GW	KBSK50W	KBSK50GW	50	- 4	75	-22	192	112
KBK60W	KBK60GW	KBSK60W	KBSK60GW	60		90	0/-25	209	134



major dimensions				eccentricity	perpendicularity	basic load rating		allowable static moment	mass	shaft diameter
flange						dynamic	static			
K	t	P.C.D.	X×Y×Z	μm	μm	C	Co	Mo	g	mm
mm	mm	mm	mm			N	N	N·m		
25	5	24	3.5×6×3.1	15	15	421	804	4.3	51	8
32	6	32	4.5×7.5×4.1			813	1,570	11.7	90	12
35	6	36	4.5×7.5×4.1			921	1,780	14.2	135	16
42	8	43	5.5×9×5.1	17	17	1,370	2,740	25.0	225	20
50	8	51	5.5×9×5.1			1,570	3,140	44.0	500	25
60	10	62	6.6×11×6.1			2,500	5,490	78.9	720	30
75	13	80	9×14×8.1	20	20	3,430	8,040	147	1,600	40
88	13	94	9×14×8.1			6,080	15,900	396	2,620	50
106	18	112	11×17×11.1			7,550	20,000	487	4,480	60

1N≐0.102kgf 1N·m≐0.102kgf·m