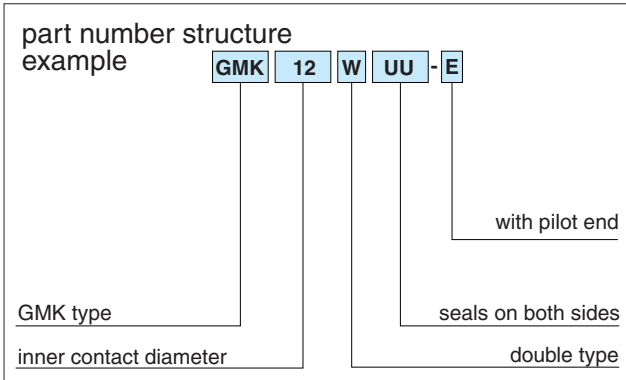
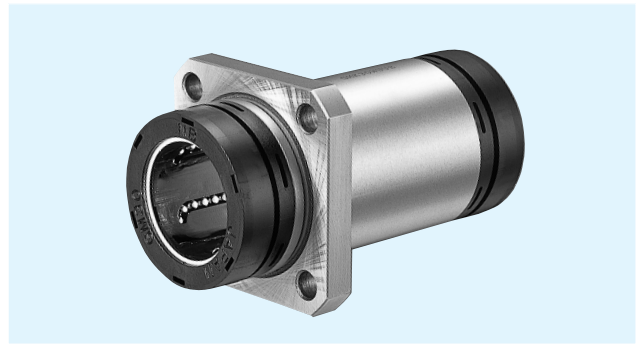


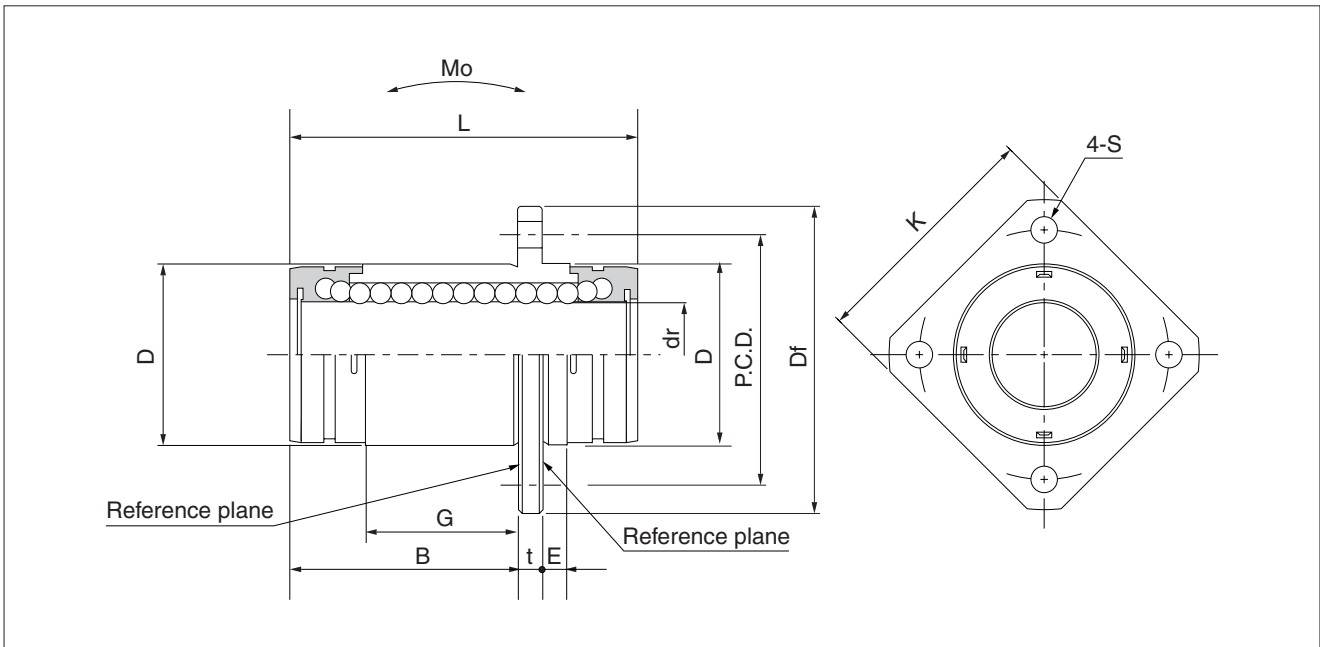
# GMK-W-E TYPE

– Square Flange Double-Wide Type with pilot end–



part number	number of ball circuits	major dimensions							
		dr		D		L	B	G	E
		mm	tolerance $\mu\text{m}$	mm	tolerance $\mu\text{m}$				
GMK 6W UU-E	4	6	0 -10	12	0	28	13.8	7.6	4
GMK 8W UU-E	4	8		15	-13	36	21.1	14.2	4
GMK10W UU-E	4	10		19	0 -16	41	24.2	15.4	4
GMK12W UU-E	4	12		21		46	30.2	22.4	4
GMK13W UU-E	4	13		23		48	30.65	21.3	4
GMK16W UU-E	4	16	28	0 -12	53	33.3	22.6	5	
GMK20W UU-E	6	20	32		65	44.2	33.4	5	
GMK25W UU-E	6	25	40		91	65.5	50.0	5	
GMK30W UU-E	6	30	45	-19	99	69.3	52.6	5	

Both side of flange are reference plane.



flange					perpen- dicularity $\mu\text{m}$	basic load rating		allowable static moment $\text{Mo}$ $\text{N} \cdot \text{m}$	mass  g	shaft diameter  mm
Df mm	t mm	P.C.D. mm	K mm	S mm		dynamic  C N	static  Co N			
28	4	20	22	3.5	15	323	530	1.5	20	6
32	4	24	25	3.5		431	784	3.3	32	8
40	4	29	30	4.5		588	1,100	5.0	50	10
42	4	32	32	4.5		813	1,570	7.6	63	12
43	4	33	34	4.5		813	1,570	8.1	72	13
48	4	38	37	4.5		1,230	2,350	13.8	99	16
54	5	43	42	5.5	20	1,400	2,740	20.0	165	20
62	5	51	50	5.5		1,560	3,140	34.8	325	25
74	8	60	58	6.6		2,490	5,490	57.5	437	30

1N $\approx$ 0.102kgf 1N $\cdot$ m $\approx$ 0.102kgf $\cdot$ m