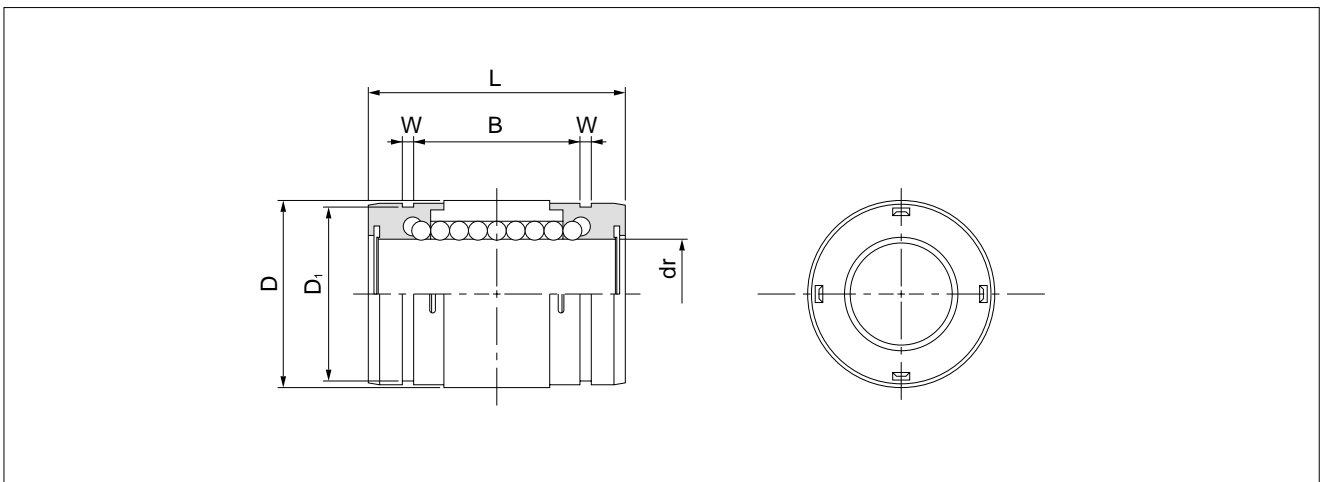
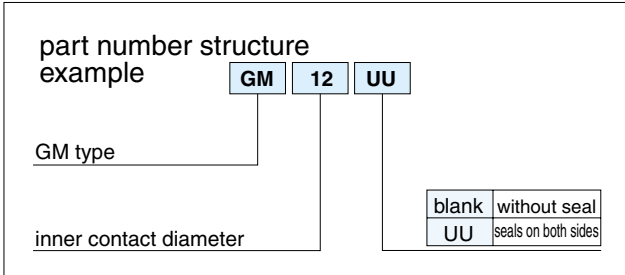


GM TYPE

— Single Type —



part number	number of ball circuits	major dimensions								basic load rating		mass g	
		dr		D		L	B	W	D ₁	dynamic C N	static C ₀ N		
		mm	tolerance μm	mm	tolerance μm								
GM 6	4	6	0	12	0	19	11.3	1.1	11.5	206	265	5	
GM 8	4	8		15	-11	24	15.3	1.1	14.3	274	392	10	
GM10	4	10		19	0	29	19.4	1.3	18	372	549	18	
GM12	4	12		21		30	20.4	1.3	20	510	784	23	
GM13	4	13	23	-13		32	20.4	1.3	22	510	784	27	
GM16	4	16	-9	28	0	37	23.3	1.6	27	774	1,180	45	
GM20	6	20		32		0	42	27.3	1.6	30.5	882	1,370	70
GM25	6	25		40		-10	59	37.3	1.85	38	980	1,570	150
GM30	6	30	45	-16	64		40.8	1.85	43	1,570	2,740	180	

1N≒0.102kgf