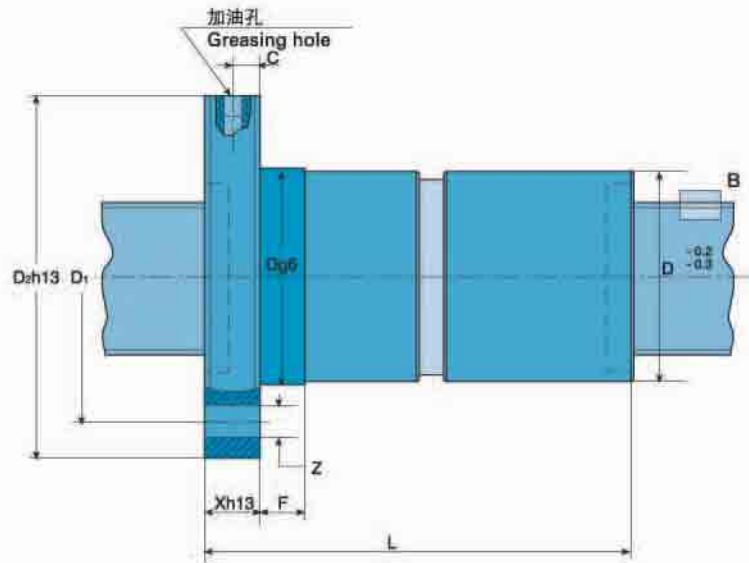


# 磨削滚珠丝杠 Ground Ball Screws

## 柯尔特



带法兰双螺母式滚珠丝杠

型号: DBS

**DOUBLE NUT WITH FLANGE**

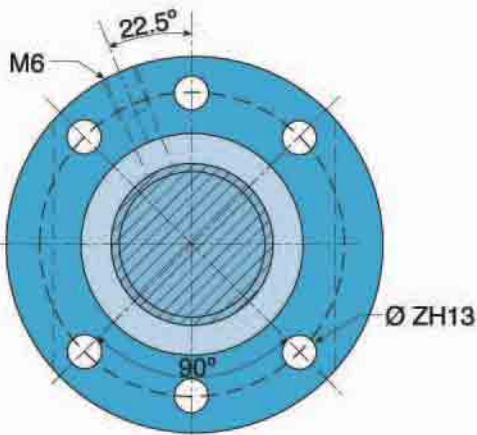
Type: DBS

型号 Type	直径 Diameter ( $d_0$ )	导程 Lead (Ph)	滚珠直径 Ball diameter ( $D_w$ )	$D_{pw}$	$d_2$	循环圈数 Circuits ( $l$ )	额定负载 Load rating		刚性 / Rigidity		螺母尺寸				
							$C_0$ (N)	$C_A$ (N)	$R_{s1}$ (N/μm-m)	$R_{nu}$ (N/μm)	D	D <sub>1</sub>	D <sub>2</sub>	X	
DBS-1204-2	12	4	2,381	12,66	10,279	2	5591	3165	19,9	92,3	24	32	40	10	
DBS-1204-3						3	8387	4485							136,0
DBS-1204-4						4	11183	5744							179,0
DBS-1205-2	12	5	2,381	12,66	10,279	2	5576	3162	19,9	92,8	24	32	40	10	
DBS-1205-3						3	8364	4481							136,7
DBS-1604-2	16	4	2,381	16,66	14,279	2	8660	4045	37,0	126,3	28	38	48	10	
DBS-1604-3						3	12989	5732							186,1
DBS-1604-4						4	17319	7341							244,9
EDBS-1605	16	5	3,5	17	13,5	2	12090	6399	34,8	130,8	28	38	48	10	
DBS-1605-3						3	18135	9069							192,8
DBS-1605-4						4	24180	11615							253,8
DBS-1610-2	16	10	3,5	17	13,5	2	11935	6372	34,8	132,9	28	38	48	10	
DBS-1610-3						3	17903	9030							195,7
DBS-1610-4						4	23871	11565							257,5
DBS-2004-2	20	4	2,381	20,66	18,279	2	11218	4587	59,4	161,2	36	47	58	10	
DBS-2004-3						3	16827	6501							237,6
DBS-2004-4						4	22436	8326							312,8
DBS-2005-2	20	5	3,5	21	17,5	2	15410	7309	56,6	160,0	36	47	58	10	
EDBS-2005						3	23116	10359							235,7
DBS-2005-4						4	30821	13267							310,3
DBS-2010-2	20	10	3,5	21	17,5	2	16371	7632	56,6	165,9	36	47	58	10	
DBS-2010-3						3	24557	10816							244,3
DBS-2010-4						4	32743	13852							321,5
DBS-2020-2	20	20	3,5	21	17,5	2	17959	8206	56,6	184,1	36	47	58	10	

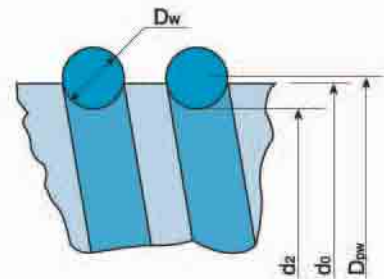
• 仅适用于标准螺纹RH。左旋螺纹需按要求订做。

•  $R_{s1}$ —一端固定，另一端可自由活动的滚珠丝杠轴的刚性，按每单位长度1米。两端固定的系统，乘以4。

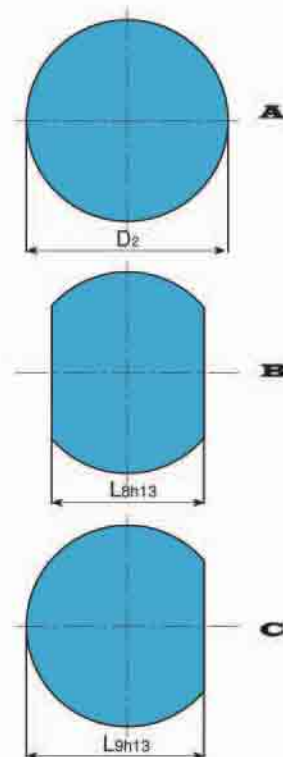
•  $R_{nu}$ —工作负载等于额定动荷载的30%、公差等级为IT5的螺母的刚性。



直径 Diameter	导程 Lead										
	4	5	6	8	10	12	16	20	25	32	40
12											
16											
20											
25											
32											
40											



详图 B  
Detail B



EDBS 库存螺母, 法兰型号 B  
STOCK nut, Flange type B

单位:mm / units: mm

寸 / Nut dimensions						型号 Type
L	L8	L9	Z	C	F	
58	31	35,5	5,5	5	10	DBS-1204-2
68						DBS-1204-3
76						DBS-1204-4
66	31	35,5	5,5	5	10	DBS-1205-2
76						DBS-1205-3
58	40	44	5,5	5	10	DBS-1604-2
68						DBS-1604-3
76						DBS-1604-4
66	40	44	5,5	5	10	EDBS-1605
76						DBS-1605-3
86						DBS-1605-4
96	40	44	5,5	5	16	DBS-1610-2
124						DBS-1610-3
144						DBS-1610-4
58	44	51	6,6	5	10	DBS-2004-2
68						DBS-2004-3
76						DBS-2004-4
66	44	51	6,6	5	10	DBS-2005-2
76						EDBS-2005
86						DBS-2005-4
96	44	51	6,6	5	16	DBS-2010-2
124						DBS-2010-3
144						DBS-2010-4
131	44	51	6,6	5	25	DBS-2020-2

• Standard thread RH only. Left-hand thread on request.

•  $R_{s1}$  = Rigidity of the ball screw shaft with one end fixed and one end free, per unit length of one metre. For two-end fixed systems, multiply by 4.

•  $R_{nu}$  = Rigidity of the nut for a working load equal to 30% of the dynamic load rating and for a tolerance grade of IT5.

# 磨削滚珠丝杠 Ground Ball Screws

## 柯尔特



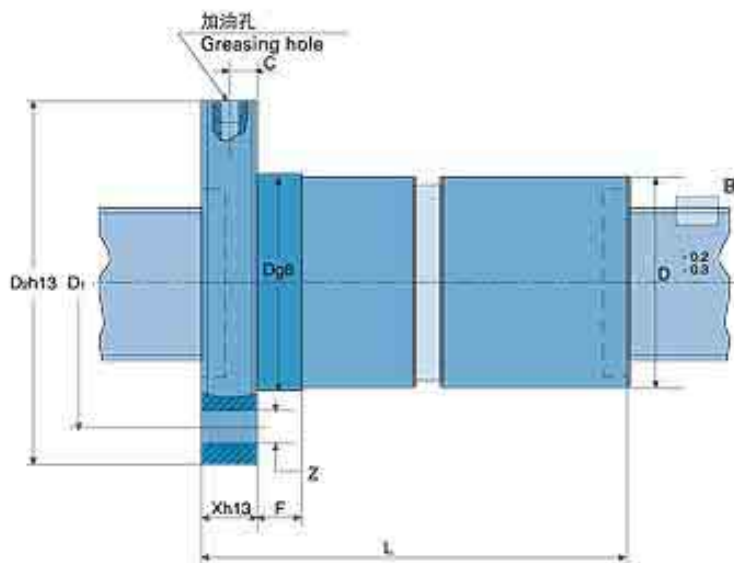
### Korta

带法兰双螺母式滚珠丝杠

型号: DBS

DOUBLE NUT WITH FLANGE

Type: DBS

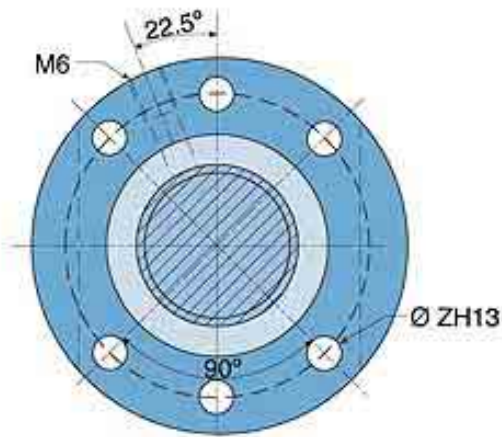


型号 Type	直径 Diameter (d <sub>g</sub> )	导程 Lead (Ph)	滚珠直径 Ball diameter (D <sub>w</sub> )	D <sub>pw</sub>	d <sub>z</sub>	循环圈数 Circuits (l)	额定负载 Load rating		刚性 / Rigidity		螺母尺寸 /			
							C <sub>0</sub> (N)	C <sub>A</sub> (N)	R <sub>01</sub> (N/mm)	R <sub>02</sub> (N/mm)	D	D <sub>1</sub>	D <sub>2</sub>	X
DBS-2504-2	25	4	2,381	25,66	23,279	2	14287	5112	94,8	195,5	40	51	62	10
DBS-2504-3						3	21430	7244		288,3				
DBS-2504-4						4	28574	9278		379,7				
DBS-2505-2	25	5	3,5	26	22,5	2	20935	8612	91,3	201,6	40	51	62	10
EDBS-2505						3	31402	12205		297,2				
DBS-2505-4						4	41870	15632		391,4				
DBS-2506-2	25	6	3,969	26,3	22,331	2	22653	9848	91,0	198,5	40	51	62	10
DBS-2506-3						3	33980	13957		292,5				
DBS-2506-4						4	45307	17874		385,2				
DBS-2510-2	25	10	4,76	26,6	21,84	2	26355	12216	89,0	201,8	40	51	62	10
EDBS-2510						3	39532	17313		297,3				
DBS-2510-4						4	52710	22173		391,3				
EDBS-2520	25	20	3,5	26	22,5	2	23589	9411	91,3	231,6	40	51	62	10
DBS-2520-3						3	35383	13337		348,0				
DBS-2525-2	25	25	3,5	26	22,5	2	23222	9362	91,3	229,9	40	51	62	10
DBS-3204-3	32	4	2,381	32,66	30,279	3	29098	8334	158,2	359,0	50	65	80	12
DBS-3204-4						4	38797	10674		473,0				
DBS-3204-5						5	48496	12932		585,7				
DBS-3205-3	32	5	3,5	33	29,5	3	41348	13892	153,7	365,7	50	65	80	12
EDBS-3205						4	55131	17791		481,8				
DBS-3205-5						5	68913	21555		596,6				
DBS-3206-3	32	6	3,969	33,3	29,331	3	46769	16436	153,3	375,0	50	65	80	12
DBS-3206-4						4	62358	21052		493,9				
DBS-3206-5						5	77948	25506		611,5				
DBS-3208-3	32	8	4,762	33,6	28,838	3	55016	20701	150,7	382,9	50	65	80	12
DBS-3208-4						4	73355	26512		504,2				
DBS-3208-5						5	91694	32121		624,2				
EDBS-3210	32	10	6,35	34,1	27,75	3	65122	27753	144,6	358,5	50	65	80	12
DBS-3210-4						4	86829	35543		472,0				
DBS-3210-5						5	108537	43063		584,3				
DBS-3220-2	32	20	3,969	33,3	29,331	2	33463	12225	153,3	288,4	50	65	80	12
EDBS-3220						3	51590	17645		436,1				
EDBS-3232						2	33937	12450		288,3				

• 仅适用于标准螺纹RH。左旋螺纹需按要求订做。

• R<sub>01</sub>一端固定，另一端可自由活动的滚珠丝杠轴的刚性，按每单位长度1米，两端固定的系统，乘以4。

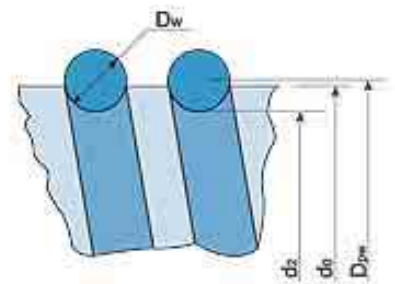
• R<sub>02</sub>工作负载等于额定动荷载的30%、公差等级为IT5的螺母的刚性。



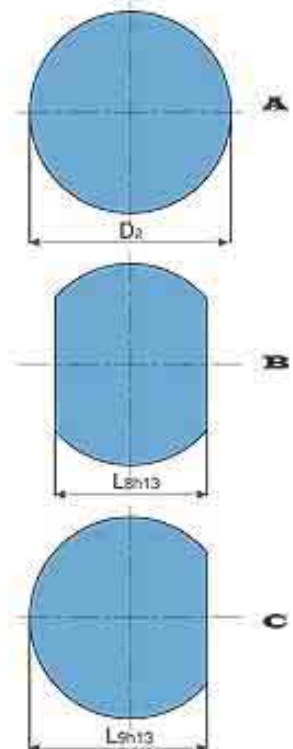
直径 Diameter	导程 Lead										
	4	5	6	8	10	12	16	20	25	32	40
12											
16											
20											
25											
32											
40											

单位:mm / units: mm

Nut dimensions						型号 Type
L	L <sub>g</sub>	L <sub>g</sub>	Z	C	F	
58						<b>DBS-2504-2</b>
68	48	55	6,6	5	10	<b>DBS-2504-3</b>
76						<b>DBS-2504-4</b>
66						<b>DBS-2505-2</b>
76	48	55	6,6	5	10	<b>EDBS-2505</b>
86						<b>DBS-2505-4</b>
74						<b>DBS-2506-2</b>
92	48	55	6,6	5	10	<b>DBS-2506-3</b>
104						<b>DBS-2506-4</b>
98						<b>DBS-2510-2</b>
120	48	55	6,6	5	16	<b>EDBS-2510</b>
144						<b>DBS-2510-4</b>
133						<b>EDBS-2520</b>
173	48	55	6,6	5	25	<b>DBS-2520-3</b>
151	48	55	6,6	5	30	<b>DBS-2525-2</b>
70						<b>DBS-3204-3</b>
78	62	71	9	6	10	<b>DBS-3204-4</b>
86						<b>DBS-3204-5</b>
78						<b>DBS-3205-3</b>
88	62	71	9	6	10	<b>EDBS-3205</b>
98						<b>DBS-3205-5</b>
94						<b>DBS-3206-3</b>
106	62	71	9	6	10	<b>DBS-3206-4</b>
120						<b>DBS-3206-5</b>
110						<b>DBS-3208-3</b>
126	62	71	9	6	16	<b>DBS-3208-4</b>
142						<b>DBS-3208-5</b>
133						<b>EDBS-3210</b>
155	62	71	9	6	16	<b>DBS-3210-4</b>
175						<b>DBS-3210-5</b>
143						<b>DBS-3220-2</b>
183						<b>EDBS-3220</b>
187	62	71	9	6	40	<b>EDBS-3232</b>



详图 B  
Detail B

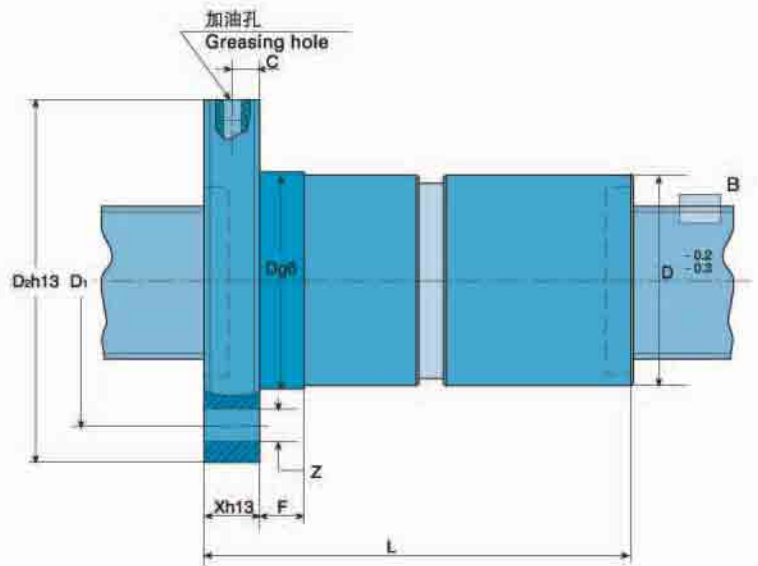


EDBS 库存螺母, 法兰型号 B  
STOCK nut, Flange type B

- Standard thread RH only. Left-hand thread on request.
- $R_{sT}$  = Rigidity of the ball screw shaft with one end fixed and one end free, per unit length of one metre. For two-end fixed systems, multiply by 4.
- $R_{nU}$  = Rigidity of the nut for a working load equal to 30% of the dynamic load rating and for a tolerance grade of IT5.

# 磨削滚珠丝杠 Ground Ball Screws

## 柯尔特

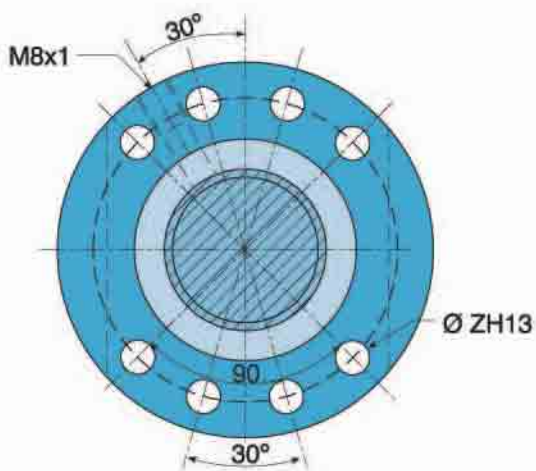


带法兰双螺母式滚珠丝杠

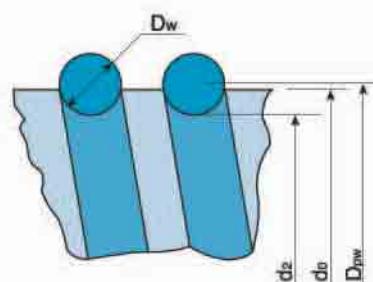
型号: **DBS**  
**DOUBLE NUT WITH FLANGE**  
Type: **DBS**

型号 Type	直径 Diameter (d <sub>g</sub> )	导程 Lead (Ph)	滚珠直径 Ball diameter (D <sub>w</sub> )	D <sub>pw</sub>	d <sub>2</sub>	循环圈数 Circuits (l)	额定负载 Load rating		刚性 / Rigidity		螺母尺寸 / Nut dimensions					
							C <sub>0</sub> (N)	C <sub>A</sub> (N)	R <sub>s1</sub> (N/μm·m)	R <sub>nu</sub> (N/μm)	D	D <sub>1</sub>	D <sub>2</sub>	X		
<b>DBS-4005-3</b>	40	5	3,5	41	37,5	3	52947	15508	244,7	440,6	63	78	93	14		
<b>DBS-4005-4</b>						4	70596	19861							580,5	
<b>EDBS-4005</b>						5	88245	24062								718,9
<b>DBS-4005-6</b>						6	105894	28147								
<b>DBS-4006-3</b>	40	6	3,969	41,3	37,331	3	59558	18337	244,3	451,4	63	78	93	14		
<b>DBS-4006-4</b>						4	79411	23485							594,6	
<b>DBS-4006-5</b>						5	99263	28453								736,3
<b>DBS-4006-6</b>						6	119116	33283								
<b>DBS-4008-3</b>	40	8	4,762	41,6	36,838	3	70368	23284	241,0	465,0	63	78	93	14		
<b>DBS-4008-4</b>						4	93825	29820							612,3	
<b>DBS-4008-5</b>						5	117281	36128								758,1
<b>DBS-4008-6</b>						6	140737	42261								
<b>DBS-4010-3</b>	40	10	6,35	42,1	35,75	3	86959	32514	233,3	454,6	63	78	93	14		
<b>EDBS-4010</b>						4	115945	41641							598,6	
<b>DBS-4010-5</b>						5	144931	50450								741,0
<b>DBS-4010-6</b>						6	173917	59014								
<b>DBS-4012-3</b>	40	12	6,35	42,1	35,75	3	86850	32500	233,3	459,2	63	78	93	14		
<b>DBS-4012-4</b>						4	115800	41623							604,6	
<b>DBS-4012-5</b>						5	144750	50429								748,3
<b>DBS-4020-2</b>	40	20	6,35	40,1	33,75	2	64596	24955	209,1	340,0	63	78	93	14		
<b>EDBS-4020</b>						3	100483	36235							517,3	
<b>DBS-4020-4</b>						4	136370	46957								691,7
<b>EDBS-4040</b>						2	62338	24661								

- 仅适用于标准螺纹RH。左旋螺纹需按要求订做。
- R<sub>s1</sub>—一端固定，另一端可自由活动的滚珠丝杠轴的刚性，按每单位长度1米。两端固定的系统，乘以4。
- R<sub>nu</sub>—工作负载等于额定动荷载的30%、公差等级为IT5的螺母的刚性。



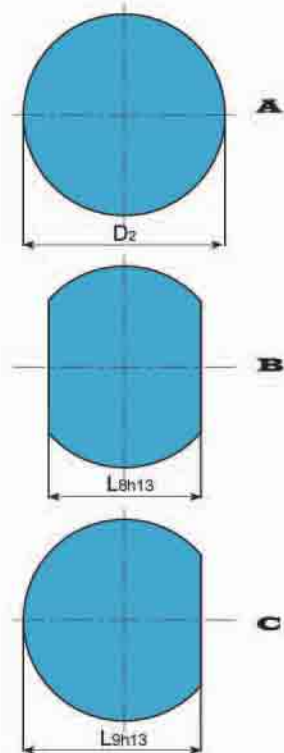
直径 Diameter	导程 Lead										
	4	5	6	8	10	12	16	20	25	32	40
12											
16											
20											
25											
32											
40											



单位:mm / units: mm

Nut dimensions						型号 Type
L	L <sub>8</sub>	L <sub>9</sub>	Z	C	F	
80	70	81,5	9	7	10	<b>DBS-4005-3</b>
90						<b>DBS-4005-4</b>
100						EDBS-4005
114						<b>DBS-4005-6</b>
96	70	81,5	9	7	10	<b>DBS-4006-3</b>
108						<b>DBS-4006-4</b>
122						<b>DBS-4006-5</b>
136						<b>DBS-4006-6</b>
112	70	81,5	9	7	16	<b>DBS-4008-3</b>
128						<b>DBS-4008-4</b>
144						<b>DBS-4008-5</b>
162						<b>DBS-4008-6</b>
135	70	81,5	9	7	16	<b>DBS-4010-3</b>
157						EDBS-4010
177						<b>DBS-4010-5</b>
199						<b>DBS-4010-6</b>
149	70	81,5	9	7	20	<b>DBS-4012-3</b>
175						<b>DBS-4012-4</b>
199						<b>DBS-4012-5</b>
149						<b>DBS-4020-2</b>
189	70	81,5	9	7	25	EDBS-4020
229						<b>DBS-4020-4</b>
225	70	81,5	9	7	45	EDBS-4040

详图 B  
Detail B



EDBS 库存螺母,法兰型号 B  
STOCK nut. Flange type B

- Standard thread RH only. Left-hand thread on request.
- $R_{s1}$  = Rigidity of the ball screw shaft with one end fixed and one end free, per unit length of one metre. For two-end fixed systems, multiply by 4.
- $R_{nu}$  = Rigidity of the nut for a working load equal to 30% of the dynamic load rating and for a tolerance grade of IT5.

# 磨削滚珠丝杠 Ground Ball Screws

## 柯尔特



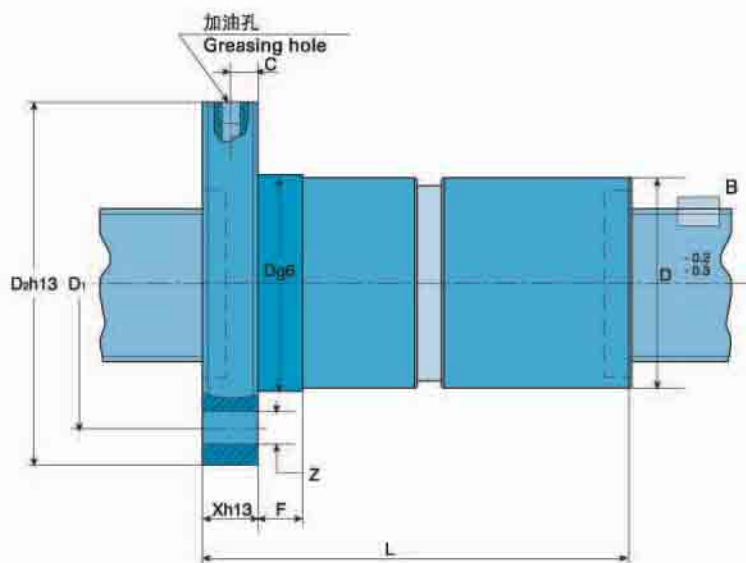
### Korta

带法兰双螺母式滚珠丝杠

型号: DBS

DOUBLE NUT WITH FLANGE

Type: DBS

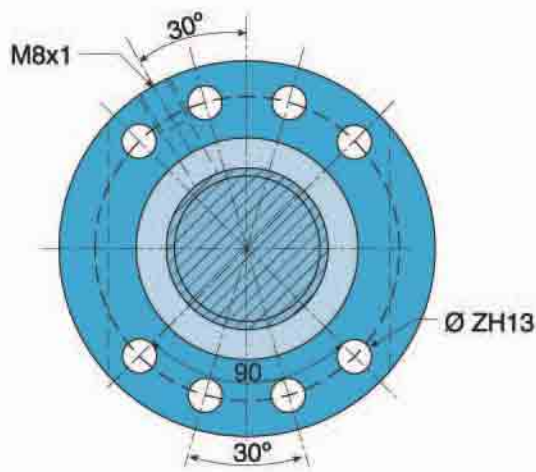


型号 Type	直径 Diameter (d <sub>0</sub> )	导程 Lead (Ph)	滚珠直径 Ball diameter (Dw)	D <sub>pw</sub>	d <sub>2</sub>	循环圈数 Circuits (l)	额定负载 Load rating		刚性 / Rigidity		螺母尺寸 /				
							C <sub>0</sub> (N)	C <sub>A</sub> (N)	R <sub>S1</sub> (N/μm·m)	R <sub>nu</sub> (N/μm)	D	D <sub>1</sub>	D <sub>2</sub>	X	
DBS-5005-3	50	5	3,5	51	47,5	3	67857	17254	388,3	521,4	75	93	110	16	
DBS-5005-4						4	90475	22098							687,1
EDBS-5005						5	113094	26772							851,2
DBS-5005-6						6	135713	31317							1014,0
DBS-5006-3	50	6	3,969	51,3	47,331	3	76603	20495	387,8	538,2	75	93	110	16	
DBS-5006-4						4	102138	26248							709,2
DBS-5006-5						5	127672	31801							878,4
DBS-5006-6						6	153207	37200							1046,2
DBS-5008-3	50	8	4,762	51,6	46,838	3	91845	26377	383,6	564,9	75	93	110	16	
DBS-5008-4						4	122460	33782							744,2
DBS-5008-5						5	153075	40928							921,5
DBS-5008-6						6	183690	47876							1097,4
DBS-5010-3	50	10	7,144	52	44,856	3	123944	42707	363,5	548,7	75	93	110	16	
DBS-5010-4						4	165259	54694							722,7
EDBS-5010						5	206574	66265							894,8
DBS-5010-6						6	247889	77514							1065,4
DBS-5012-3	50	12	7,938	52,2	44,262	3	135915	48668	357,9	554,6	75	93	110	16	
DBS-5012-4						4	181219	62328							730,4
DBS-5012-5						5	226524	75514							904,2
DBS-5016-2	50	16	7,144	50	42,856	2	82390	30105	333,2	383,9	75	93	110	16	
DBS-5016-3						3	123585	42665							565,6
DBS-5016-4						4	164780	54641							744,6
DBS-5016-5						5	205975	66201							921,7
DBS-5020-3	50	20	7,144	50	42,856	3	141431	47099	333,2	625,6	75	93	110	16	
DBS-5020-4						4	191616	60967							835,3
EDBS-5020						5	241802	74333							1042,4
DBS-5040-2	50	40	7,144	50	42,856	2	89138	32263	333,2	414,4	75	93	110	16	

• 仅适用于标准螺纹RH。左旋螺纹需按要求订做。

• R<sub>S1</sub>—一端固定，另一端可自由活动的滚珠丝杠轴的刚性，按每单位长度1米。两端固定的系统，乘以4。

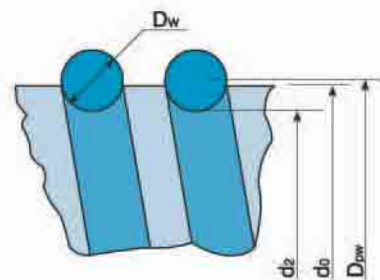
• R<sub>nu</sub>—工作负载等于额定动荷载的30%、公差等级为IT5的螺母的刚性。



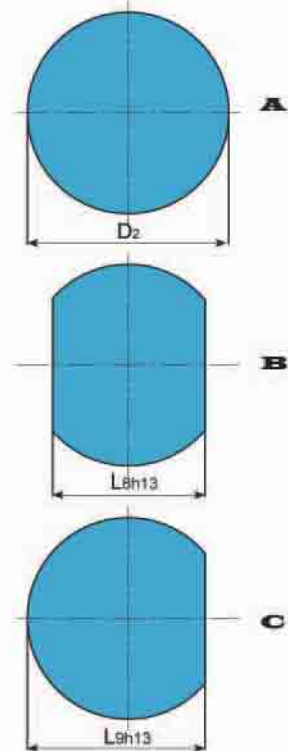
直径 Diameter	导程 Lead											
	4	5	6	8	10	12	16	20	25	32	40	50
50												
63												
80												
100												
120												

单位:mm / units: mm

Nut dimensions						型号 Type
L	L <sub>8</sub>	L <sub>9</sub>	Z	C	F	
82	85	97,5	11	8	10	<b>DBS-5005-3</b>
92						<b>DBS-5005-4</b>
102						<b>EDBS-5005</b>
116						<b>DBS-5005-6</b>
98	85	97,5	11	8	10	<b>DBS-5006-3</b>
110						<b>DBS-5006-4</b>
124						<b>DBS-5006-5</b>
138						<b>DBS-5006-6</b>
114	85	97,5	11	8	16	<b>DBS-5008-3</b>
130						<b>DBS-5008-4</b>
146						<b>DBS-5008-5</b>
164						<b>DBS-5008-6</b>
137	85	97,5	11	8	16	<b>DBS-5010-3</b>
159						<b>DBS-5010-4</b>
179						<b>EDBS-5010</b>
201						<b>DBS-5010-6</b>
157	85	97,5	11	8	20	<b>DBS-5012-3</b>
183						<b>DBS-5012-4</b>
209						<b>DBS-5012-5</b>
136						85
168	<b>DBS-5016-3</b>					
200	<b>DBS-5016-4</b>					
232	<b>DBS-5016-5</b>					
191	85	97,5	11	8	25	<b>DBS-5020-3</b>
231						<b>DBS-5020-4</b>
271						<b>EDBS-5020</b>
229						<b>DBS-5040-2</b>



详图 B  
Detail B



**EDBS 库存螺母, 法兰型号 B**  
**STOCK nut. Flange type B**

- Standard thread RH only. Left-hand thread on request.
- $R_{S1}$  = Rigidity of the ball screw shaft with one end fixed and one end free, per unit length of one metre. For two-end fixed systems, multiply by 4.
- $R_{nu}$  = Rigidity of the nut for a working load equal to 30% of the dynamic load rating and for a tolerance grade of IT5.

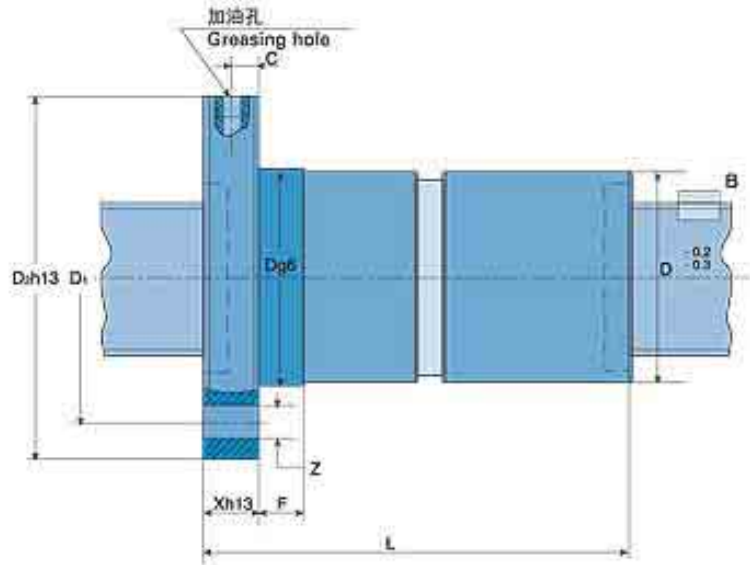


# 磨削滚珠丝杠 Ground Ball Screws

## 柯尔特



# Korta



带法兰双螺母式滚珠丝杠

型号: DBS

DOUBLE NUT WITH FLANGE

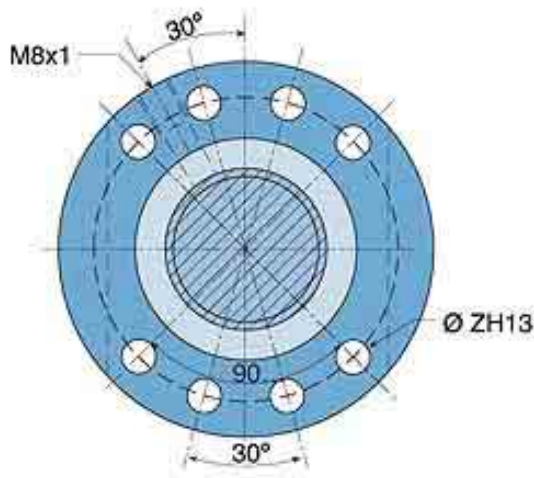
Type: DBS

型号 Type	直径 Diameter (d <sub>g</sub> )	导程 Lead (Ph)	滚珠直径 Ball diameter (D <sub>w</sub> )	D <sub>pw</sub>	d <sub>2</sub>	循环圈数 Circuits (i)	额定负载 Load rating		刚性 / Rigidity		螺母尺寸 /				
							C <sub>0</sub> (N)	C <sub>A</sub> (N)	R <sub>s1</sub> (N/μm)	R <sub>ns</sub> (N/μm)	D	D <sub>1</sub>	D <sub>2</sub>	X	
DBS-6305-3	63	5	3,5	64	60,5	3	87733	19217	624,2	613,2	90	108	125	18	
DBS-6305-4						4	116977	24611							808,7
EDBS-6305						5	146221	29818							1002,2
DBS-6305-6						6	175465	34879							1194,2
DBS-6306-3	63	6	3,969	64,3	60,331	3	97907	22687	623,6	631,3	90	108	125	18	
DBS-6306-4						4	130542	29055							832,3
DBS-6306-5						5	163178	35201							1031,2
DBS-6306-6						6	195813	41177							1228,5
DBS-6310-3	63	10	7,144	65	57,856	3	165370	49250	592,6	676,8	90	108	125	18	
DBS-6310-4						4	220494	63074							891,6
EDBS-6310						5	275617	76418							1104,3
DBS-6310-6						6	330741	89390							1315,1
DBS-6312-3	63	12	7,938	65,2	57,262	3	178559	55757	585,5	679,1	90	108	125	18	
DBS-6312-4						4	238078	71407							894,6
DBS-6312-5						5	297598	86514							1107,7
DBS-6312-6						6	357117	101200							1319,1
DBS-6316-3	63	16	7,144	65	57,856	3	183403	52801	592,6	706,6	95	115	135	20	
DBS-6316-4						4	247594	68184							940,0
DBS-6316-5						5	311785	83016							1170,8
DBS-6316-6						6	375976	97426							1399,5
DBS-6320-3	63	20	7,144	65	57,856	3	183089	52771	592,6	787,7	95	115	135	20	
DBS-6320-4						4	247170	68145							1047,9
EDBS-6320						5	311251	82969							1305,1
DBS-6320-6						6	375332	97371							1560,0
DBS-6340-2	63	40	7,144	65	57,856	2	121860	37369	592,6	537,2	95	115	135	20	
DBS-6340-3						3	187304	53829							808,4

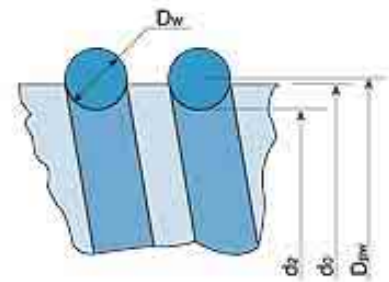
• 仅适用于标准螺纹RH。左旋螺纹需按要求订做。

• R<sub>s1</sub>—一端固定，另一端可自由活动的滚珠丝杠轴的刚性，按每单位长度1米。两端固定的系统，乘以4。

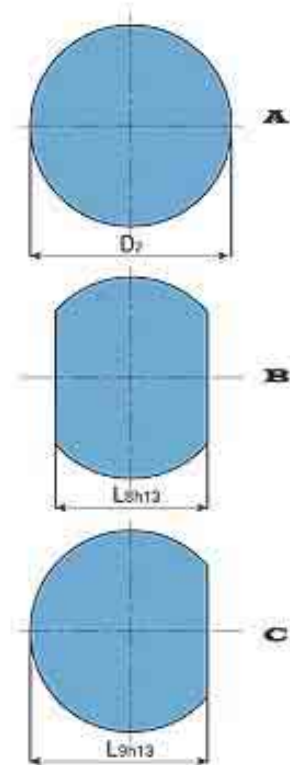
• R<sub>ns</sub>—工作负载等于额定动荷载的30%、公差等级为IT5的螺母的刚性。



直径 Diameter	导程 Lead											
	4	5	6	8	10	12	16	20	25	32	40	64
50												
63												
80												
100												
120												



详图 B  
Detail B



EDBS 库存螺母, 法兰型号 B  
STOCK nut. Flange type B

单位:mm / units: mm

Nut dimensions						型号 Type
L	L8	L9	Z	C	F	
84	95	110	11	9	10	DBS-6305-3
94						DBS-6305-4
104						EDBS-6305
118						DBS-6305-6
100	95	110	11	9	10	DBS-6306-3
112						DBS-6306-4
126						DBS-6306-5
140						DBS-6306-6
139	95	110	11	9	16	DBS-6310-3
161						DBS-6310-4
181						EDBS-6310
203						DBS-6310-6
159	95	110	11	9	20	DBS-6312-3
185						DBS-6312-4
211						DBS-6312-5
235						DBS-6312-6
169	100	117,5	13,5	10	25	DBS-6316-3
201						DBS-6316-4
233						DBS-6316-5
265						DBS-6316-6
193	100	117,5	13,5	10	25	DBS-6320-3
233						DBS-6320-4
273						EDBS-6320
313						DBS-6320-6
231	100	117,5	13,5	10	45	DBS-6340-2
311						DBS-6340-3

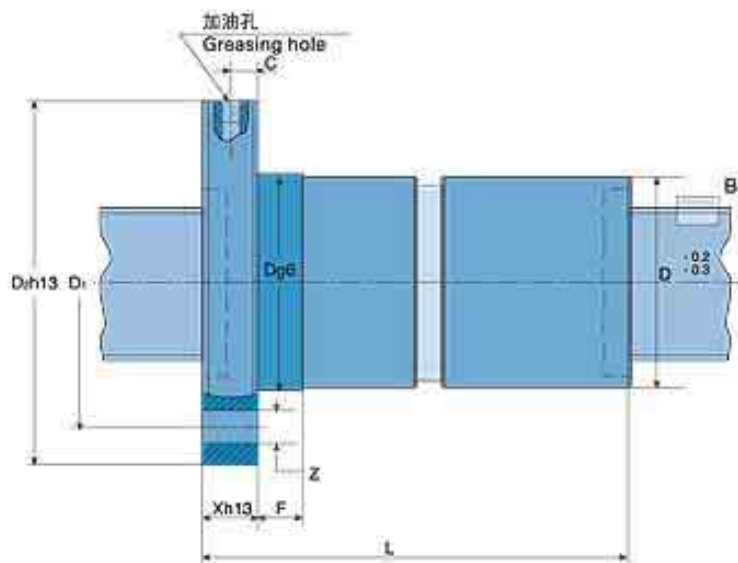
• Standard thread RH only. Left-hand thread on request.

•  $R_{s1}$  = Rigidity of the ball screw shaft with one end fixed and one end free, per unit length of one metre. For two-end fixed systems, multiply by 4.

•  $R_{nu}$  = Rigidity of the nut for a working load equal to 30% of the dynamic load rating and for a tolerance grade of IT5.

# 磨削滚珠丝杠 Ground Ball Screws

## 柯尔特



带法兰双螺母式滚珠丝杠

型号: DBS

DOUBLE NUT WITH FLANGE

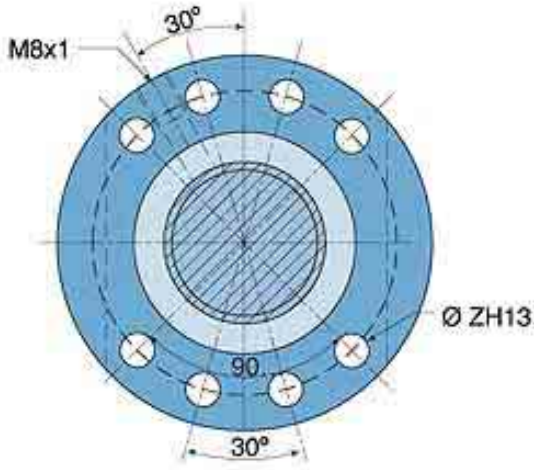
Type: DBS

型号 Type	直径 Diameter (d <sub>g</sub> )	导程 Lead (Ph)	滚珠直径 Ball diameter (D <sub>w</sub> )	D <sub>pw</sub>	d <sub>2</sub>	循环圈数 Circuits (l)	额定负载 Load rating		刚性 / Rigidity		螺母尺寸 / M				
							C <sub>0</sub> (N)	C <sub>A</sub> (N)	R <sub>31</sub> (N/μm)	R <sub>06</sub> (N/μm)	D	D <sub>1</sub>	D <sub>2</sub>	X	
DBS-8010-4	80	10	7,144	82	74,856	4	294122	72122	976,4	1059,6	105	125	145	20	
DBS-8010-5						5	367653	87380							1313,1
EDBS-8010						6	441184	102213							1564,5
DBS-8012-4	80	12	7,938	82,2	74,262	4	317639	81878	967,3	1072,3	105	125	145	20	
DBS-8012-5						5	397049	99199							1328,4
DBS-8012-6						6	476459	116039							1582,6
DBS-8016-4	80	16	9,525	82,6	73,075	4	359047	100996	949,1	1130,6	125	145	165	25	
DBS-8016-5						5	448808	122362							1399,7
DBS-8016-6						6	538570	143133							1666,4
DBS-8020-3	80	20	9,525	82,6	73,075	3	313832	87364	949,1	989,8	125	145	165	25	
DBS-8020-4						4	423877	112854							1317,3
EDBS-8020						5	533922	137429							1641,1
DBS-8020-6						6	643966	161303							1962,0
DBS-8040-2	80	40	9,525	82,6	73,075	2	202005	60395	949,1	675,0	125	145	165	25	
DBS-8040-3						3	311088	87109							1016,9
DBS-8040-4						4	420171	112524							1353,3
DBS-8064-2	80	64	9,525	82,6	73,075	2	206383	61629	949,1	680,3	125	145	165	25	

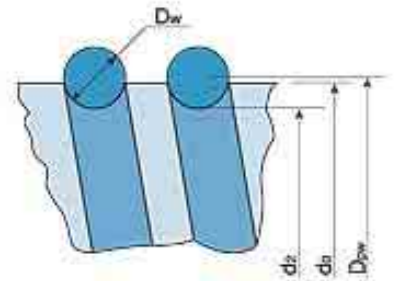
• 仅适用于标准螺纹RH。左旋螺纹需按要求订做。

• R<sub>31</sub> = 一端固定，另一端可自由活动的滚珠丝杠轴的刚性，按每单位长度1米，两端固定的系统，乘以4。

• R<sub>06</sub> = 工作负载等于额定动荷载的30%、公差等级为IT5的螺母的刚性。



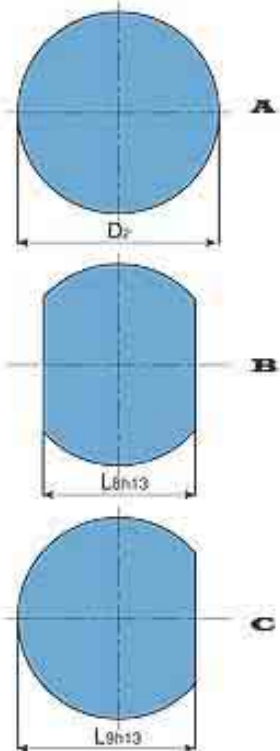
直径 Diameter	导程 Lead											
	4	5	6	8	10	12	16	20	25	32	40	64
50												
63												
80												
100												
120												



详图 B  
Detail B

单位:mm / units: mm

Nut dimensions						型号 Type
L	L <sub>8</sub>	L <sub>9</sub>	Z	C	F	
163	110	127,5	13,5	10	16	<b>DBS-8010-4</b>
183						<b>DBS-8010-5</b>
205						EDBS-8010
187	110	127,5	13,5	10	20	<b>DBS-8012-4</b>
213						<b>DBS-8012-5</b>
237						<b>DBS-8012-6</b>
207	130	147,5	13,5	12,5	25	<b>DBS-8016-4</b>
239						<b>DBS-8016-5</b>
271						<b>DBS-8016-6</b>
196	130	147,5	13,5	12,5	25	<b>DBS-8020-3</b>
236						<b>DBS-8020-4</b>
276						EDBS-8020
316						<b>DBS-8020-6</b>
237	130	147,5	13,5	12,5	45	<b>DBS-8040-2</b>
317						<b>DBS-8040-3</b>
397						<b>DBS-8040-4</b>
327	130	147,5	13,5	12,5	70	<b>DBS-8064-2</b>



EDBS 库存螺母,法兰型号 B  
STOCK nut. Flange type B

- Standard thread RH only. Left-hand thread on request.
- $R_{s1}$  = Rigidity of the ball screw shaft with one end fixed and one end free, per unit length of one metre. For two-end fixed systems, multiply by 4.
- $R_{nu}$  = Rigidity of the nut for a working load equal to 30% of the dynamic load rating and for a tolerance grade of IT5.

# 磨削滚珠丝杠 Ground Ball Screws

## 柯尔特



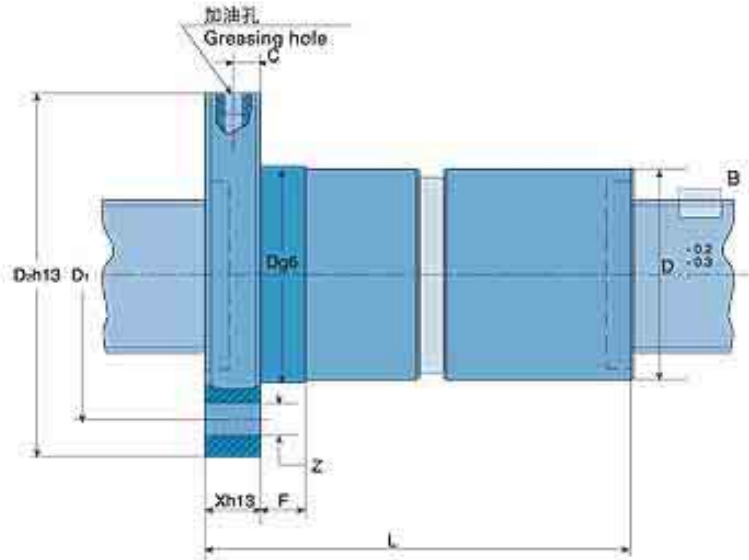
### Korta

带法兰双螺母式滚珠丝杠

型号: DBS

DOUBLE NUT WITH FLANGE

Type: DBS

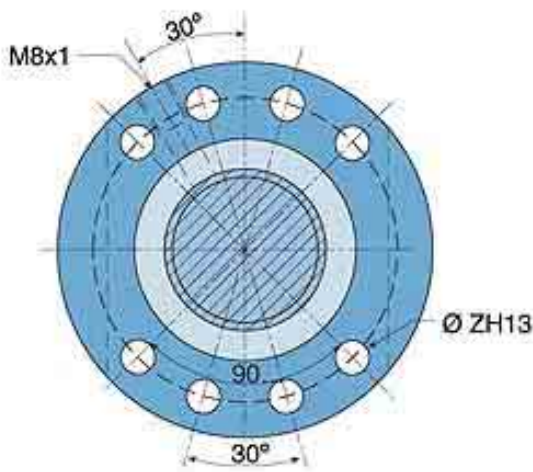


型号 Type	直径 Diameter (d <sub>g</sub> )	导程 Lead (Ph)	滚珠直径 Ball diameter (D <sub>w</sub> )	D <sub>pw</sub>	d <sub>z</sub>	循环圈数 Circuits (i)	额定负载 Load rating		刚性 / Rigidity		螺母尺寸 / Nut dimensions				
							C <sub>0</sub> (N)	C <sub>A</sub> (N)	R <sub>01</sub> (N/μm)	R <sub>02</sub> (N/μm)	D	D <sub>1</sub>	D <sub>2</sub>	X	
DBS-10010-4	100	10	7,144	102	94,856	4	367751	78957	1549,9	1188,0	125	145	165	22	
DBS-10010-5						5	459689	95661							1472,9
DBS-10010-6						6	551626	111900							1755,7
DBS-10012-4	100	12	7,938	102,2	94,262	4	408549	91497	1538,4	1532,9	125	145	165	22	
DBS-10012-5						5	510686	110853							1826,9
DBS-10012-6						6	612823	129672							1826,9
DBS-10016-4	100	16	9,525	102,6	93,075	4	457273	112537	1515,5	1351,3	150	176	202	30	
DBS-10016-5						5	571592	136345							1673,1
DBS-10016-6						6	685910	159490							1992,2
DBS-10020-4	100	20	9,525	102,6	93,075	4	522237	122986	1515,5	1534,2	150	176	202	30	
DBS-10020-5						5	656876	149625							1909,2
DBS-10020-6						6	791516	175507							2280,9
DBS-10040-3	100	40	9,525	102,6	93,075	3	397557	97174	1515,5	1206,4	150	176	202	30	
DBS-10040-4						4	535485	125296							1602,0
DBS-10040-5						5	673413	152416							1993,1
DBS-10064-2	100	64	9,525	102,6	93,075	2	256611	67367	1515,5	810,0	150	176	202	30	
DBS-12010-5	120	10	7,144	122	114,856	5	563201	104211	2255,4	1694,4	150	176	202	25	
DBS-12010-6						6	675841	121902							2020,0
DBS-12010-7						7	788482	139182							2343,8
DBS-12012-5	120	12	7,938	122,2	114,262	5	624303	120700	2241,4	1747,2	150	176	202	25	
DBS-12012-6						6	749163	141189							2082,6
DBS-12012-7						7	874024	161204							2415,9
DBS-12016-4	120	16	9,525	122,6	113,075	4	571802	124662	2213,8	1576,0	170	196	222	30	
DBS-12016-5						5	714753	151035							1951,9
DBS-12016-6						6	857703	176674							2324,7
DBS-12020-4	120	20	12,7	124,1	111,4	4	841893	198110	2185,4	1789,4	170	196	222	30	
DBS-12020-5						5	1059624	241123							2228,3
DBS-12020-6						6	1277355	282913							2663,4
DBS-12040-3	120	40	12,7	124,1	111,4	3	621719	153301	2185,4	1422,8	170	196	222	30	
DBS-12040-4						4	838598	197851							1891,4
DBS-12040-5						5	1055477	240808							2354,7
DBS-12064-2	120	64	12,7	124,1	111,4	2	415933	108714	2185,4	969,9	170	196	222	30	

• 仅适用于标准螺纹RH。左旋螺纹需按要求订做。

• R<sub>01</sub> = 一端固定，另一端可自由活动的滚珠丝杠轴的刚性，按每单位长度1米。两端固定的系统，乘以4。

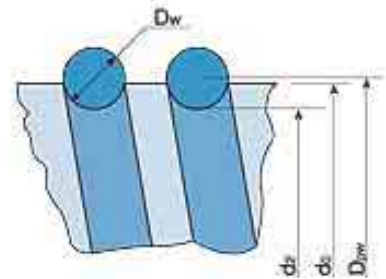
• R<sub>02</sub> = 工作负载等于额定动荷载的30%、公差等级为IT5的螺母的刚性。



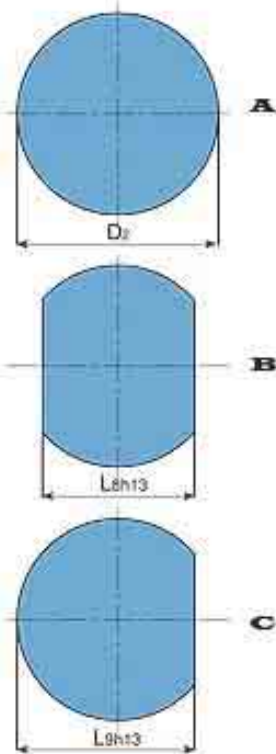
直径 Diameter	导程 Lead											
	4	5	6	8	10	12	16	20	25	32	40	64
50												
63												
80												
100												
120												

单位:mm / units: mm

Nut dimensions						型号 Type
L	L <sub>a</sub>	L <sub>g</sub>	Z	C	F	
165						<b>DBS-10010-4</b>
185	130	147,5	13,5	11	16	<b>DBS-10010-5</b>
207						<b>DBS-10010-6</b>
189						<b>DBS-10012-4</b>
215	130	147,5	13,5	11	20	<b>DBS-10012-5</b>
239						<b>DBS-10012-6</b>
237						<b>DBS-10016-4</b>
271	155	178,5	17,5	15	25	<b>DBS-10016-5</b>
303						<b>DBS-10016-6</b>
281						<b>DBS-10020-4</b>
323	155	178,5	17,5	15	25	<b>DBS-10020-5</b>
365						<b>DBS-10020-6</b>
319						<b>DBS-10040-3</b>
399	155	178,5	17,5	15	45	<b>DBS-10040-4</b>
479						<b>DBS-10040-5</b>
331	155	178,5	17,5	15	70	<b>DBS-10064-2</b>
188						<b>DBS-12010-5</b>
210	155	178,5	17,5	12,5	16	<b>DBS-12010-6</b>
230						<b>DBS-12010-7</b>
218						<b>DBS-12012-5</b>
242	155	178,5	17,5	12,5	20	<b>DBS-12012-6</b>
268						<b>DBS-12012-7</b>
237						<b>DBS-12016-4</b>
271	175	198,5	17,5	15	25	<b>DBS-12016-5</b>
303						<b>DBS-12016-6</b>
281						<b>DBS-12020-4</b>
323	175	198,5	17,5	15	25	<b>DBS-12020-5</b>
365						<b>DBS-12020-6</b>
325						<b>DBS-12040-3</b>
405	175	198,5	17,5	15	45	<b>DBS-12040-4</b>
485						<b>DBS-12040-5</b>
337	175	198,5	17,5	15	70	<b>DBS-12064-2</b>



详图 B  
Detail B



- Standard thread RH only. Left-hand thread on request.
- $R_{sf}$  = Rigidity of the ball screw shaft with one end fixed and one end free, per unit length of one metre. For two-end fixed systems, multiply by 4.
- $R_{nu}$  = Rigidity of the nut for a working load equal to 30% of the dynamic load rating and for a tolerance grade of IT5.