

# IKO

Precision Linear Slide Unit

# BWU

U.S. PATENTED

*Smallest size "6 mm width" is newly introduced !*



CAT-57105B

# ALL STAINLESS

Wide variation for numerous applications  
Best suited for clean room use

The smallest size  
is newly available.



*Table width  
Only 6mm!*

BWU 6-10 (Full size photo)

**IKO**

Precision Linear Slide Unit

# BWU

Superior corrosion resistance and high temperature performance, because all parts are made of stainless steel

High capacity against moment loads and complex loads

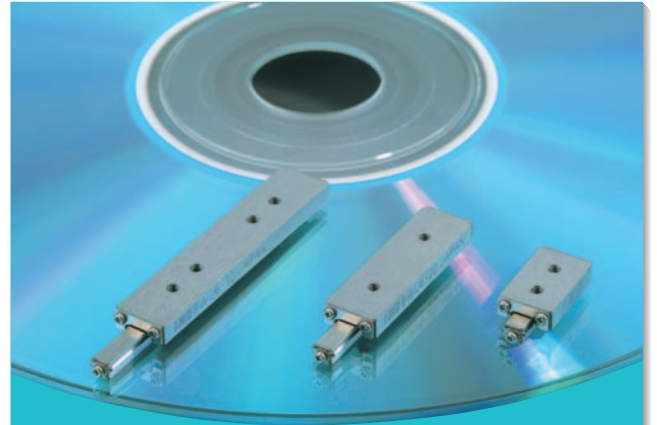
Stable accuracy and rigidity  
Smooth and quiet movement



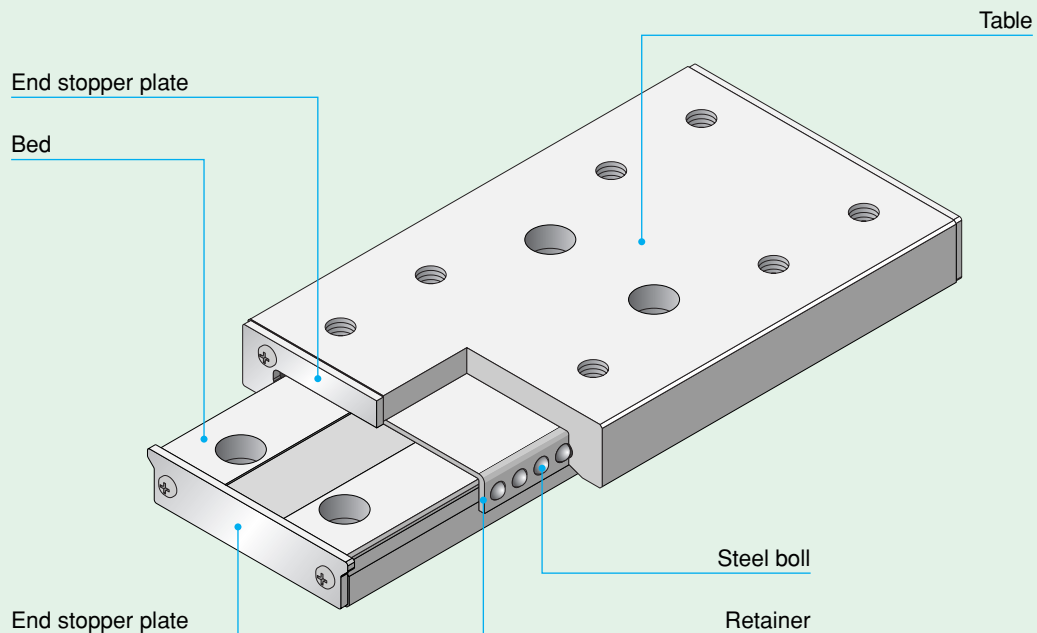
# IKO Precision Linear Slide Unit BWU

IKO Precision Linear Slide Unit is a simple and compact linear motion rolling guide for limited stroke length. The unit incorporates steel balls assembled in two rows between a solid table and bed, each ball making contact with the ground raceways of the table and bed at four points so that stable accuracy and high rigidity are obtained even under fluctuating and complex load.

IKO Precision Linear Slide Unit achieves highly accurate and smooth linear motion, since retainers are used to hold the steel balls and prevent them from contacting with each other. The table, balls, retainers, bed, end stopper plates, etc. are made of stainless steel to give superior corrosion and heat resistance. Therefore, IKO Precision Linear Slide Unit is suitable for use in a clean room and also in medical equipment, IC manufacturing equipment, vacuum apparatus, etc.




**Wide range of size variations !**  
*Smallest size,  
width 6 mm and height 3.2 mm  
is newly introduced.*

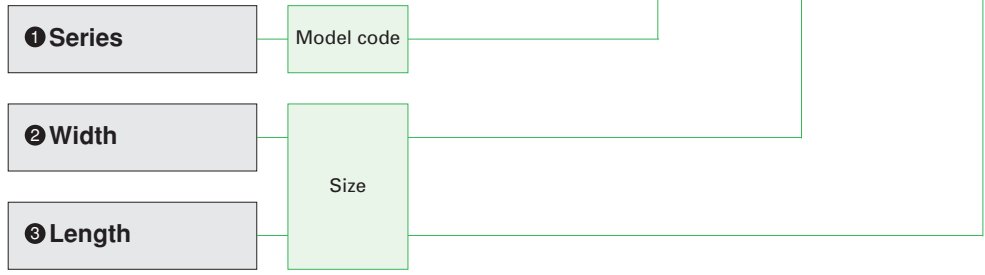
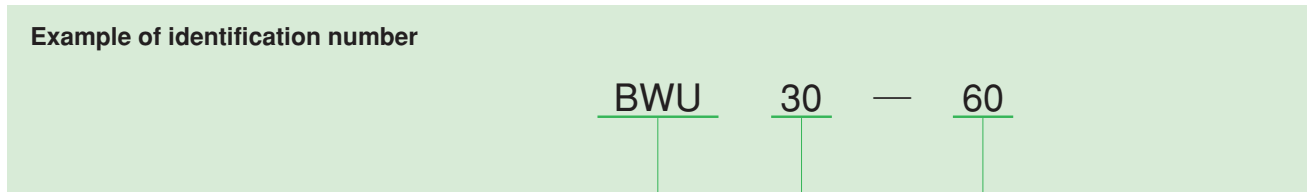


U.S. PATENT No. 5,213,419  
No. 5,213,420

**Structure of Precision Linear slide Unit**

# Identification Number

The identification number of  Precision Linear Slide Unit consists of a model code and a size as shown below.



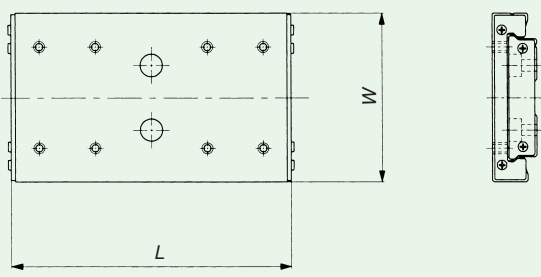
**1 Series**

BWU

**2 Width**  
**3 Length**

Width and Length are shown in Table 1.

**Table 1 Width and Length**



unit: mm

Model number	BWU 6	BWU 8	BWU 12	BWU 17	BWU 25	BWU 30	BWU 40	BWU 60
Width <i>W</i>	6	8	12	17	25	30	40	60
Length <i>L</i>	10	10	20	20	30	30	40	60
	20	20	30	30	45	45	60	80
	30	30	45	45	60	75	80	100
					75	75	100	120
						90		

1N=0.102kgf=0.2248lbs.  
1mm=0.03937inch

# Load Rating and Life

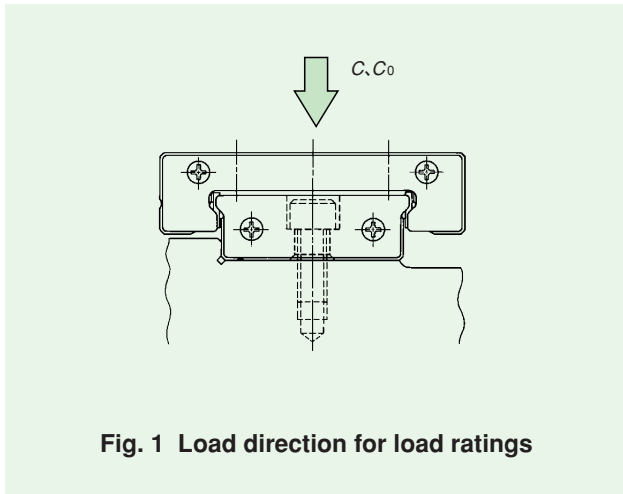
The load ratings of Precision Linear Slide Unit are the load ratings for downward load.

## Basic dynamic load rating $C$

The basic dynamic load rating is defined as a constant load both in direction and magnitude under which a group of identical Precision Linear Slide Unit are individually operated and 90% of the units in the group can travel  $50 \times 10^3$ m free from material damage due to rolling contact fatigue.

## Basic static load rating $C_0$

The basic static load rating is defined as a static load that gives a prescribed constant contact stress at the center of the contact area between the rolling element and raceway receiving the maximum load. It is the static limit load that can be applied on a linear guide, and used generally in combination with the static safety factor.



**Fig. 1 Load direction for load ratings**

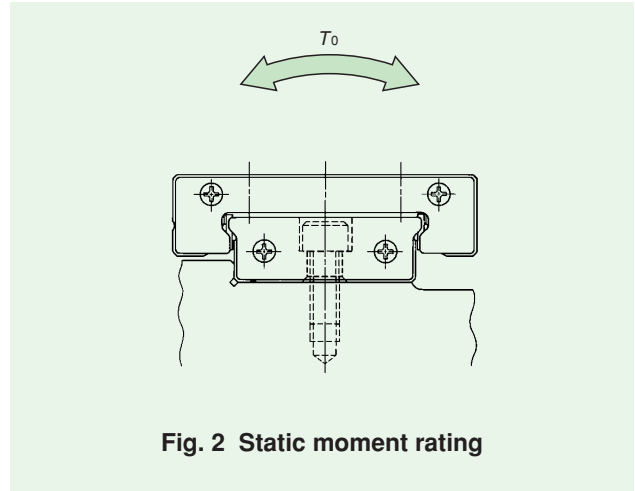
## Allowable load $F$

Allowable load is a load under which the sum of elastic deformations of the ball and raceway in the contact area subjected to the maximum contact stress is small enough to guarantee accuracy and smooth rolling movement.

Therefore, where very smooth and highly accurate linear motion is required, make sure to use a Precision Linear Slide Unit well below the allowable load values.

## Static moment rating $T_0$

The moment rating is defined as a static moment load that gives a prescribed constant contact stress at the center of the contact area between the rolling element and raceway receiving the maximum load. (See Fig.2.)



**Fig. 2 Static moment rating**

## Load ratings by direction

The basic load ratings of Precision Linear Slide Unit change by loading direction. The basic dynamic and static load ratings shown in the dimension tables are downward load ratings. Load ratings for other loading directions can be obtained by multiplying the load directional factors as shown in Table 2.

**Table 2 Load direction and load ratings**

The diagram shows a cross-section of a linear slide unit with three arrows indicating load directions: an upward arrow labeled 'Upward load', a downward arrow labeled 'Downward load', and a horizontal arrow labeled 'Lateral load'.

Load rating / Load direction	Basic dynamic load rating	Basic static load rating
Downward	$C$	$C_0$
Upward	$C$	$C_0$
Lateral	$1.13 C$	$1.19 C_0$

## Life

The basic rating life of IKO Precision Linear Slide Unit is obtained from the formula.

$$L = 50 \left( \frac{C}{P} \right)^3 \dots\dots\dots(1)$$

where,  $L$  : Rating life,  $10^3m$   
 $C$  : Basic dynamic load rating, N  
 $P$  : Equivalent load, N

Therefore, if the stroke and the number of strokes per minute are given, the life in hours can be obtained from the following formula.

$$L_h = \frac{10^6 L}{2S n_1 \times 60} \dots\dots\dots(2)$$

where,  $L_h$  : Rating life in hours, h  
 $S$  : Stroke length, mm  
 $n_1$  : Number of strokes per minute, cpm

## Static safety factor

The static safety factor,  $f_s$  of IKO Precision Linear Slide Unit can be obtained from the following formula, and general values of this factor are shown in Table 5.

$$f_s = \frac{C_0}{P_0} \dots\dots\dots(3)$$

where,  $f_s$  : Static safety factor  
 $C_0$  : Basic static load rating, N  
 $P_0$  : Static load, N

**Table 3 Static safety factor**

Operating conditions	$f_s$
Operation with vibration and/or shocks	3 ~ 5
Operation requiring high running performance	2 ~ 4
Normal operation	1 ~ 3

## Load factor

Actual loads applied on the linear guide sometimes exceed the theoretically calculated load due to vibration and shocks caused by machine operation. The load for life calculation is generally determined by multiplying the load factor shown in Table 4 to the theoretically calculated load.

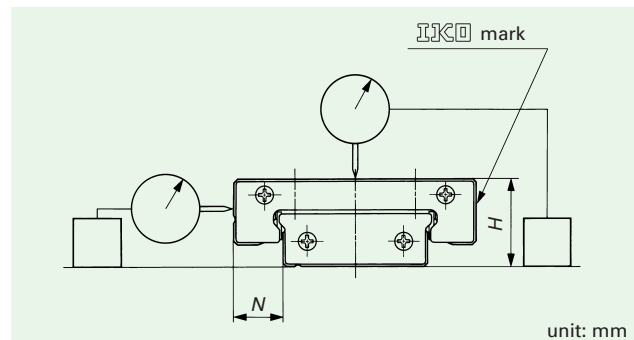
**Table 4 Load factor**

Operating conditions	$f_w$
Smooth operation free from shocks	1 ~ 1.2
Normal operation	1.2 ~ 1.5
Operation with shocks	1.5 ~ 3

## Accuracy

Accuracy of IKO Precision Linear Slide Unit is shown in Table 5 and 6. When special accuracy is required, please contact IKO.

**Table 5 Accuracy**



Item	Deviation and variation
Dim. $H$ tolerance	$\pm 0.040$
Dim. $N$ tolerance	$\pm 0.050$
Parallelism at table center	See Table 6.
Parallelism at table side	See Table 6.

**Table 6 Running accuracy**

unit: mm

Nominal length of unit $L_{mm}$		Parallelism at table center <sup>(1)</sup>	Parallelism at table side <sup>(2)</sup>
Over	Incl.		
—	50	4	6
50	80	5	8
80	120	6	9

Note(1): The value of parallelism at table center shown a maximum variation of unit height measured at the table center when the table is stroked.

(2): The value of parallelism at table side shows a maximum variation measured at table side ( opposite side of IKO mark ) when the table is stroked.

1N=0.102kgf=0.2248lbs.  
 1mm=0.03937inch

## Preload

Preload of IKO Precision Linear Slide Unit is adjusted to a proper amount at IKO factory.

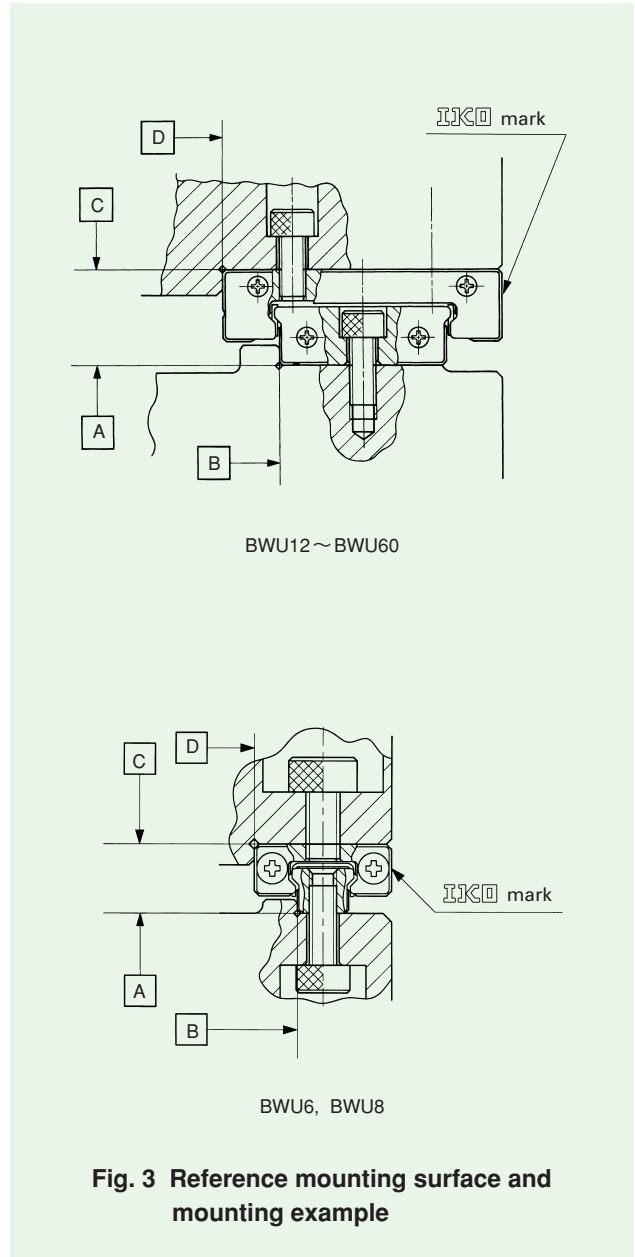
## Precautions for Use

- 1 IKO Precision Linear Slide Unit is coated with rust preventive oil. Wash it with clean liquid before assembling and lubricate it with good quality oil or grease.
- 2 IKO Precision Linear Slide Unit does not have a mechanical stopper. When over stroke is expected during the operation, prepare a stopper system on the adjoining equipment.
- 3 When high running accuracy is needed, the load should be applied at around the center of the table(or bed), and avoid stroking the table in full length.
- 4 Sometimes, retainers may shift from the normal position due to unbalanced loading and/or irregular and high speed operation. To remedy for such phenomena, move IKO Precision Linear Slide Unit in full stroke during operation at some intervals prescribed either in time or number of strokes.
- 5 IKO Precision Linear Slide Unit can be used at high temperatures, because it does not have resin parts. However, if the operating temperature is over 100°C , please consult IKO.
- 6 IKO Precision Linear Slide Unit can be operated at speeds lower than 30 meters per minute.
- 7 The tightening depth of screws on the table should be less than the values shown in the dimension table. If the tightening depth is larger than these values, the screw will push the bed/retainer as the table is a through hole, and the running accuracy and life will deteriorate.

## Mounting

### 1 Reference mounting surface

The reference mounting surface is the side surface opposite to the IKO mark . (See Fig.3.)

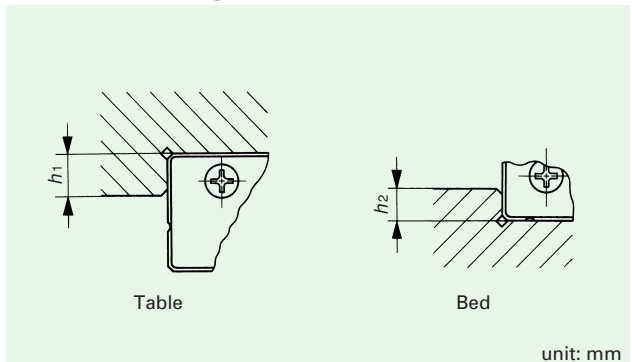


**② General mounting procedure (Example)**

As shown in Fig.3 the reference mounting surfaces B and D and the mounting surfaces A and C are precisely finished by grinding. Stable linear motion with high accuracy will be obtained by correctly the unit on the reference mounting surfaces and the mounting surfaces of the machine which will be precisely finished.

It is recommended to mark a relieved fillet at the corners of the mating reference mounting surfaces as shown in the figure in Table 7. Recommended shoulder height of the mating reference mounting surfaces is given in Table 7.

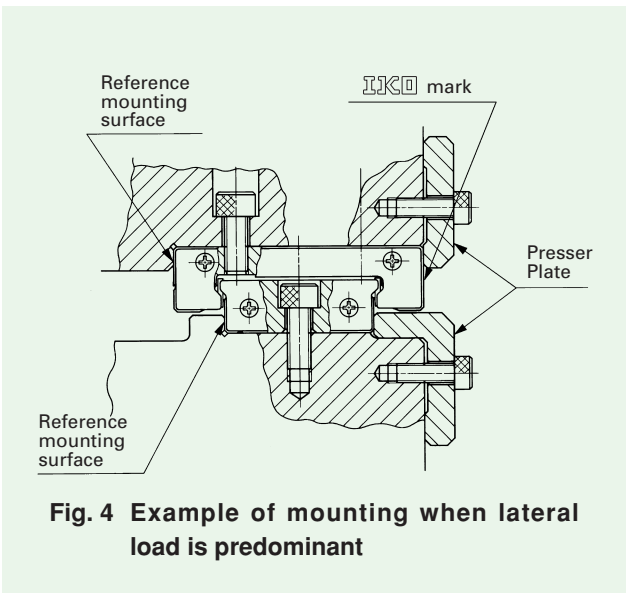
**Table 7 Shoulder height of the mating reference mounting surfaces**



Model number	$h_1$	$h_2$
BWU 6	1	0.5
BWU 8	1.2	0.8
BWU 12	1.5	0.8
BWU 17	2.5	1.2
BWU 25	2.5	1.5
BWU 30	3	2
BWU 40	3	2.5
BWU 60	4	2.5

**③ Where lateral load predominant**

As shown in Fig.4 fix the side surface of the table and the side surface of the bed securely onto the machine with a presser plate, etc.



**Fig. 4 Example of mounting when lateral load is predominant**

**④ Mounting bolt tightening torque**

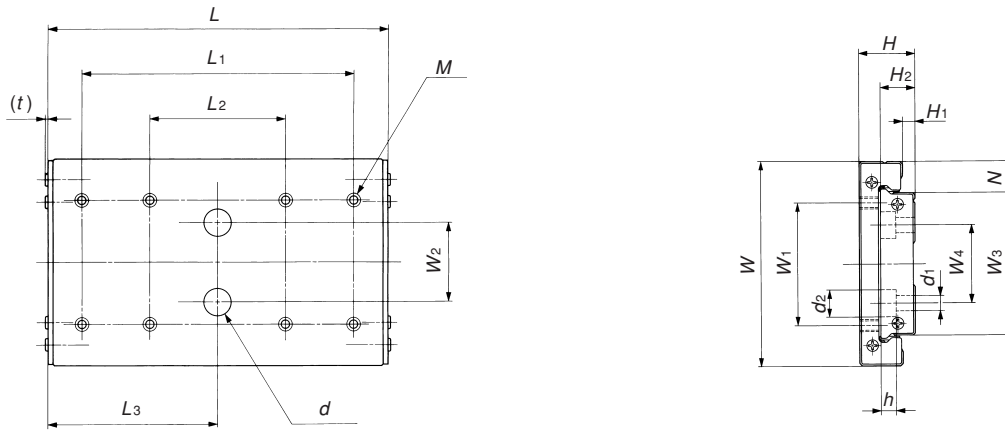
Table 8 shows the mounting bolt tightening torque in general application when hexagon socket head stainless steel bolts (equivalent to JIS division A2-70) are used. According to the material of mating parts and the operating conditions, increase or decrease the amount of tightening torque.

**Table 8 Mounting bolt tightening torque**

Bolt size	Tightening torque N·m
M1 × 0.25	0.04
M1.6 × 0.35	0.15
M2 × 0.4	0.31
M3 × 0.5	1.1
M4 × 0.7	2.5

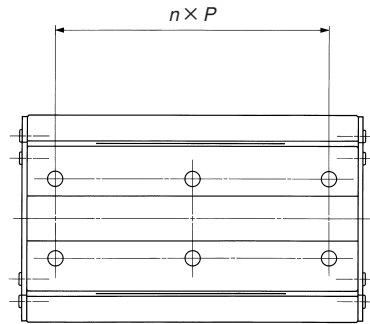


# IKO Precision Linear Slide Unit BWU



Model number	Mass (Ref.) g		Dimensions of assembly mm						Dimensions of table mm					
	Table	Bed	W	H	H <sub>1</sub>	N	L	Max. stroke length	W <sub>1</sub>	L <sub>1</sub>	L <sub>2</sub>	M	Max. tightening depth	W <sub>2</sub>
<b>BWU 6- 10</b>	0.72	0.23					10	3	—	4	—			—
<b>BWU 6- 20</b>	1.6	0.50	6	3.2	0.7	2	20	11	—	10	—	M1.4	0.8	—
<b>BWU 6- 30</b>	2.4	0.78					30	16	—	18	10			—
<b>BWU 8- 10</b>	0.96	0.42					10	4	—	5.5	—			—
<b>BWU 8- 20</b>	2.2	0.97	8	4	1	2.5	20	16	—	10	—	M2	0.8	—
<b>BWU 8- 30</b>	3.3	1.5					30	20	—	21	10			—
<b>BWU 12- 20<sup>(1)</sup></b>	3.6	1.9					20	16	—	8	—			—
<b>BWU 12- 30<sup>(1)</sup></b>	5.7	3.2	12	4.5	1	3	30	20	—	15	—	M2	1.1	—
<b>BWU 12- 45<sup>(1)</sup></b>	8.5	4.9					45	30	—	31	15			—
<b>BWU 17- 20</b>	9.2	3.9					20	14		10	—			—
<b>BWU 17- 30</b>	17.8	7.8	17	8	1.5	5	30	19	12	20	—	M2	3	—
<b>BWU 17- 45</b>	26.5	11.7					45	29		30	—			—
<b>BWU 25- 30</b>	22.5	13.3					30	23		15	—			—
<b>BWU 25- 45</b>	41.6	24.3					45	28		25	—			—
<b>BWU 25- 60</b>	55.7	33.0	25	9	1.8	5.5	60	38	10	25	—	M3	2.5	—
<b>BWU 25- 75</b>	68.4	40.8					75	48		55	25			—
<b>BWU 30- 30</b>	31.9	25.0					30	23		15	—			—
<b>BWU 30- 45</b>	56.9	45.4					45	29		25	—			—
<b>BWU 30- 60</b>	76.1	61.5	30	12	3.4	6	60	35	14	25	—	M3	3	—
<b>BWU 30- 75</b>	93.8	76.1					75	47		55	25			—
<b>BWU 30- 90</b>	101	84.8					90	59		55	25			—
<b>BWU 40- 40</b>	68.9	52.0					40	31		20	—			—
<b>BWU 40- 60</b>	125	93.0					60	39		40	—			—
<b>BWU 40- 80</b>	167	125	40	14	3.5	8	80	47	20	40	—	M4	4	—
<b>BWU 40-100</b>	207	155					100	63		80	40			—
<b>BWU 60- 60</b>	195	194					60	34		40	—			—
<b>BWU 60- 80</b>	261	261					80	45		40	—			—
<b>BWU 60-100</b>	321	325	60	16	3.6	9	100	56	36	80	40	M4	4	23
<b>BWU 60-120</b>	386	391					120	68		100	40			23

Note(1): Special mounting bolts for mounting the bed(cross recessed head cap screws M2 × 4)are appended to BWU12.



$L_3$	$d$	$t$	Dimensions of bed mm								Basic dynamic load rating $C$ N	Basic static load rating $C_0$ N	Allowable load $F$ N	Static moment rating $T_0$ N·m	Model number			
			$W_3$	$H_2$	$W_4$	$n$	$P$	$d_1$	$d_2$	$h$								
—	—	0.46	2	1.9	—	1	4	M1.0 (Thru. hole)	—	—	120	157	52	0.18	<b>BWU 6- 10</b>			
—	—					1	8				195	313	104	0.36	<b>BWU 6- 20</b>			
—	—					2	8				274	509	170	0.59	<b>BWU 6- 30</b>			
—	—	0.45	3	2.6	—	1	5	M1.6 (Thru. hole)	—	—	158	183	61	0.31	<b>BWU 8- 10</b>			
—	—					1	10				226	306	102	0.52	<b>BWU 8- 20</b>			
—	—					2	10				341	550	183	0.94	<b>BWU 8- 30</b>			
—	—	0.45	6	2.8	—	1	7.5	—	—	—	226	306	102	0.98	<b>BWU 12- 20<sup>(1)</sup></b>			
—	—					1	15				2.4	4	1.5	341	550	183	1.8	<b>BWU 12- 30<sup>(1)</sup></b>
22.5	4.5					2	15				464	856	285	2.7	<b>BWU 12- 45<sup>(1)</sup></b>			
10	4.5	0.8	7	5	—	1	7.5	—	—	—	457	550	183	2.2	<b>BWU 17- 20</b>			
—	—					1	15				2.4	4.2	2.3	675	963	321	3.8	<b>BWU 17- 30</b>
22.5	4.5					2	15				927	1 510	504	6.0	<b>BWU 17- 45</b>			
—	—	0.9	14	5.2	—	1	15	—	—	—	606	825	275	6.1	<b>BWU 25- 30</b>			
—	—					1	30				3.5	6	3.2	927	1 510	504	11.3	<b>BWU 25- 45</b>
—	—					1	30				3.5	6	3.2	1 150	2 060	688	15.4	<b>BWU 25- 60</b>
37.5	6.5					2	30				1 360	2 610	871	19.5	<b>BWU 25- 75</b>			
—	—	1.0	18	7.5	—	1	15	—	—	—	982	1 220	408	11.6	<b>BWU 30- 30</b>			
—	—					1	30				3.5	6.5	4.5	1 480	2 200	734	20.9	<b>BWU 30- 45</b>
—	—					1	30				3.5	6.5	4.5	1 920	3 180	1 060	30.2	<b>BWU 30- 60</b>
37.5	6.5					2	30				2 220	3 910	1 300	37.2	<b>BWU 30- 75</b>			
45	6.5					2	30				2 500	4 650	1 550	44.1	<b>BWU 30- 90</b>			
—	—	1.0	24	8.5	—	1	20	—	—	—	1 580	1 910	637	24.1	<b>BWU 40- 40</b>			
—	—					1	40				4.5	8	4.5	2 390	3 440	1 150	43.3	<b>BWU 40- 60</b>
—	—					1	40				4.5	8	4.5	3 090	4 970	1 660	62.6	<b>BWU 40- 80</b>
50	8					2	40				3 580	6 110	2 040	77.0	<b>BWU 40-100</b>			
—	—	1.1	42	10	23	1	—	—	—	—	3 660	4 930	1 640	107	<b>BWU 60- 60</b>			
—	—					1	40				4.5	8	4.5	4 580	6 780	2 260	148	<b>BWU 60- 80</b>
50	8					2	40				5 420	8 630	2 880	188	<b>BWU 60-100</b>			
60	8					2	40				6 210	10 500	3 490	228	<b>BWU 60-120</b>			



## NIPPON THOMPSON CO., LTD.

Head office : 19-19 Takanawa 2-chome  
 Minato-ku, Tokyo 108-8586, Japan  
 Phone : Tokyo (03)3448-5850  
 Fax : (03)3447-7637  
 E-mail : [ntt@ikonet.co.jp](mailto:ntt@ikonet.co.jp)  
 URL : <http://www.ikont.co.jp/eg/>  
 Plant : Gifu, Kamakura

## Nippon Thompson Co., Ltd.

● ASEAN REPRESENTATIVE OFFICE  
 586 Luang Road, Pomprab  
 Pomprab Satrupai, Bangkok  
 Thailand 10100  
 Phone: 66-26233699  
 Fax: 66-262330716  
 E-mail: [iko@anet.net.th](mailto:iko@anet.net.th)

## IKO International, Inc.

- 91 Walsh Drive  
 Parsippany, NJ 07054  
 U.S.A.  
 Phone: (973)402-0254  
 Toll Free: 1-800-922-0337  
 Fax: (973)402-0441  
 E-mail: [eco@ikonet.co.jp](mailto:eco@ikonet.co.jp)
- 500 East Thorndale Avenue  
 Wood Dale, IL 60191  
 U.S.A.  
 Phone: (630)766-6464  
 Toll Free: 1-800-323-6694  
 Fax: (630)766-6869  
 E-mail: [mwo@ikonet.co.jp](mailto:mwo@ikonet.co.jp)
- 20170 South Western Avenue  
 Torrance, CA 90501  
 U.S.A.  
 Phone: (310)609-3988  
 Toll Free: 1-800-252-3665  
 Fax: (310)609-3916  
 E-mail: [wco@ikonet.co.jp](mailto:wco@ikonet.co.jp)
- 2150 Boggs Road, Suite 100  
 Duluth, GA 30096  
 U.S.A.  
 Phone: (770)418-1904  
 Toll Free: 1-800-874-6445  
 Fax: (770)418-9403  
 E-mail: [seo@ikonet.co.jp](mailto:seo@ikonet.co.jp)
- 8105 N. Beltline Road  
 Suite 130, Irving, TX 75063  
 U.S.A.  
 Phone: (972)929-1515  
 Toll Free: 1-800-295-7886  
 Fax: (972)915-0060  
 E-mail: [swo@ikonet.co.jp](mailto:swo@ikonet.co.jp)

## Nippon Thompson Europe B.V.

- Sheffieldstraat 35-39  
 3047 AN Rotterdam  
 The Netherlands  
 Phone: 010-4626868  
 Fax: 010-4626099  
 E-mail: [nte@ikonet.co.jp](mailto:nte@ikonet.co.jp)
- Mündelheimer Weg 56  
 40472 Düsseldorf  
 Germany  
 Phone: 0211-414061  
 Fax: 0211-427693  
 E-mail: [ntd@ikonet.co.jp](mailto:ntd@ikonet.co.jp)  
 Donaustauer Str. 200  
 93059 Regensburg  
 Germany  
 Phone: 0941-447737  
 Fax: 0941-447747
- 2 Vincent Avenue, Crownhill  
 Milton Keynes Bucks MK8 OAB  
 United Kingdom  
 Phone: 01908-566144  
 Fax: 01908-565458  
 E-mail: [sales@iko.co.uk](mailto:sales@iko.co.uk)
- Autovia Madrid-Barcelona, Km. 43,700  
 Polig. Ind. AIDA, A-8, Ofic. 2, 1<sup>a</sup>  
 19200-Azuqueca de Henares  
 Guadalajara, Spain  
 Phone: 949-263390  
 Fax: 949-263113  
 E-mail: [nts@ikonet.co.jp](mailto:nts@ikonet.co.jp)
- Roissypole Le Dôme  
 2 rue de La Haye  
 BP 10950 Tremblay en France  
 95733 Roissy C. D. G. Cedex  
 France  
 Phone: 01-48165739  
 Fax: 01-48165746  
 E-mail: [ntf@ikonet.co.jp](mailto:ntf@ikonet.co.jp)

Although all data in this catalog has been carefully compiled to make the information as complete as possible, NIPPON THOMPSON CO., LTD. shall not be liable for any damages whatsoever, direct or indirect, based upon any information in this catalog. NIPPON THOMPSON CO., LTD. makes no warranty, either express or implied, including the implied warranty of merchantability or fitness for a particular purpose.