

Non-lubricated Air Motors

up to .18 hp, speeds from 1000 to 4,000 rpm, maximum pressure 80 psi (5,6 bar)



MODEL

NL22-NCC-1

(4 Vanes, CCW Rotation)

NL22-NCW-2

(4 Vanes, CW Rotation)

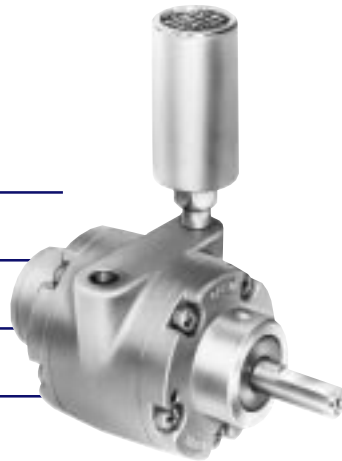
NL22-FCC-3

(4 Vanes, CCW Rotation)

NL22-FCW-4

(4 Vanes, CW Rotation)

Net wt. 3 lbs. (1,4 kg)



Hub mounting model shown with muffler attached

FEATURES

- Hub or foot mounting
- Treated body, rotor, and end plates for corrosion resistance
- No lubrication necessary - no contaminated air in the work area
- Any plane operation
- Muffler AF350

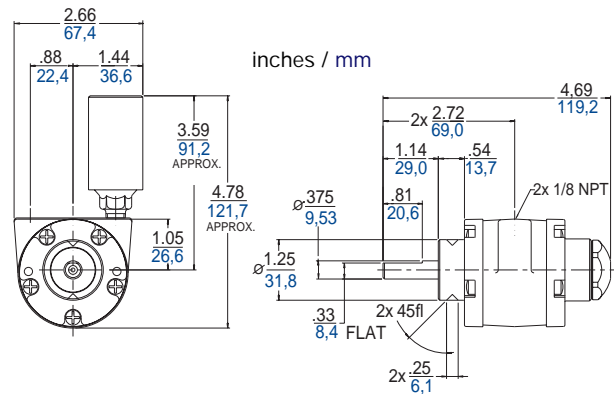
RECOMMENDED

- Filter AH100F
- Regulator AH101R
- Gauge AA807
- Repair kit K285A

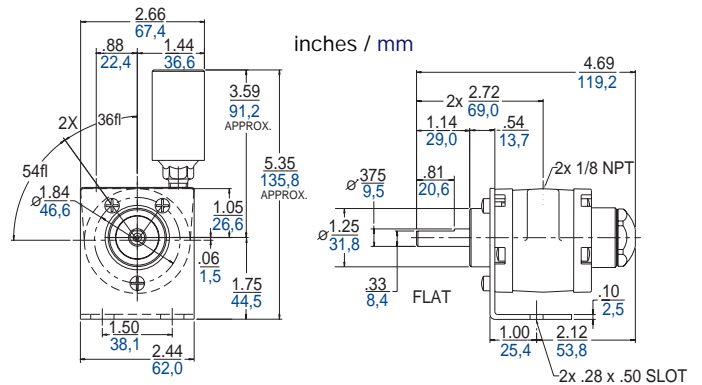
OPTIONAL

- Muffler AL444 (for additional noise reduction)

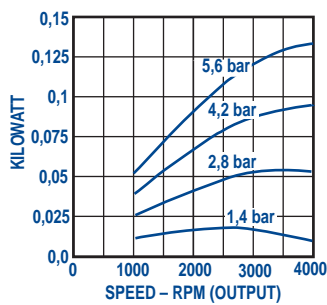
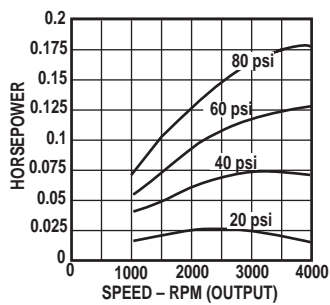
Hub mounting (NL22-NCC-1, NL22-NCW-2)



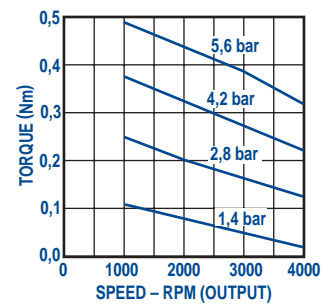
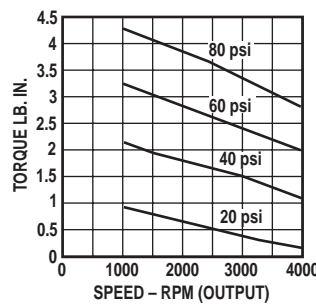
Foot mounting (NL22-FCC-3, NL22-FCW-4)



Output Power vs. Speed



Torque vs. Speed



Air Consumption vs. Speed

